

OSL1020

Single Gang Outdoor Step Light, up to 145 Lumens, 2 Watt
Recessed Downlighting

Job Information		
Project Name		Type
Location		
Quantity		Date
Contact/Phone		
Notes		

Features

Body Construction

Fully sealed heavy duty injection molded plastic housing with frosted glass lens. Lens sealed with silicone to prevent any intrusion of water or other contaminants.

Light Output

Powered by a 2-watt Epistar® SMD LED. Available in 3000 K and 4000 K color temperature, providing up to 145 lumen output, 120° beam spread. It maintains a color rendering index greater than 75.

Lumen Maintenance

The LED lamp reduces ongoing maintenance with 70% of initial lumen output after 50,000 hours projected LED life.

LED Driver

Accommodates an input voltage of 100-240V AC via 9" 18AWG leads (black is hot, white is neutral/common), 60Hz.

Mounting

This fixture is designed to mount directly in to standard single gang J-Boxes, 2"x4" with 21.0 cu. in. minimum volume

(with at least 1½" inner clearance – free of any interference with device box parts) fitted with a gasket to seal against intrusion of water and other contaminants in wet locations (two gaskets included, gasket used depends on application). Designed to be mounted horizontally or vertically, depending on faceplate design and application.

Faceplates

Optional powder-coated or electroplated cast aluminum optical faceplates available for horizontal and/or vertical mounting (refer to page 2 for available faceplate options). Available in black, brushed nickel and flat white corrosion resistant paint.

Operating Temperature

-20°C ~ 40°C (-4°F ~ 104°F).

Environment

Suitable for use in wet locations. Rated IP67.

Approvals

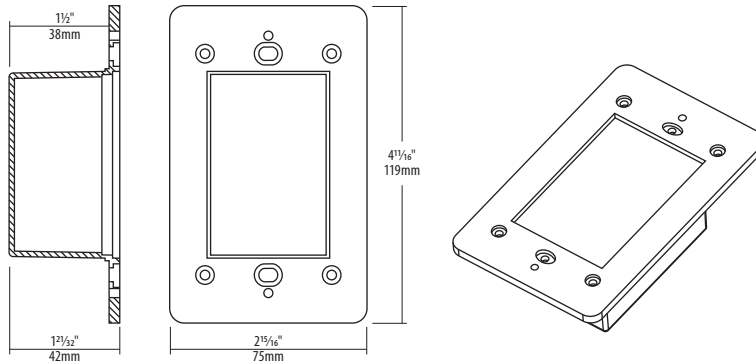
cETLus.

SPECIFICATION	
Application	Outdoor Lighting
Approved Location	Dry / Wet
Beam Angle	120°
CCT	3000 K / 4000 K
Certification	cETLus
CRI	75+
Dimming	No
Lumen	140 / 145
Lumen Maintenance	70% @ 50,000 hrs
Lumens per Watt	70 / 72.5
Max. Temp.	40°C
Min. Start Temp.	-20°C
Material	Plastic and glass
Primary Voltage	120-240V
Warranty	3 years
Wattage	2W



Description

This LED step light is designed for installation in to indoor or outdoor wall mount applications using standard junction boxes. Three optional distinct optical faceplates are available to provide unique light distribution patterns. Designed for horizontal or vertical mounting, depending on application. Ideal for both residential and commercial applications.



Notes: Accessories should be ordered separately. For additional options please consult your Liteline representative. Due to our continued efforts to improve our products, product specifications are subject to change without notice.

Ordering Guide



OSL1020-30K

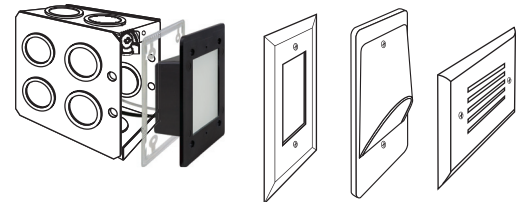
Single gang outdoor LED step light, 2W, 3000 K, 140 lumens.



OSL1020-40K

Single gang outdoor LED step light, 2W, 4000 K, 145 lumens.

Faceplate Styles



Open Eyelid Louver

(Faceplate sold separately)

* Accessories on page 2.

Accessories



OSL-OPN1-BK
Single gang open faceplate, Black. For horizontal or vertical mounting.



OSL-LVR1-BK
Single gang louver faceplate, Black. For horizontal mounting.



OSL-EYE1-BK
Single gang eyelid faceplate, Black. For vertical mounting.



OSL-OPN1-BN
Single gang open faceplate, Brushed Nickel. For horizontal or vertical mounting.



OSL-LVR1-BN
Single gang louver faceplate, Brushed Nickel. For horizontal mounting.



OSL-EYE1-BN
Single gang eyelid faceplate, Brushed Nickel. For vertical mounting.



OSL-OPN1-FWH
Single gang open faceplate, Flat White. For horizontal or vertical mounting.



OSL-LVR1-FWH
Single gang louver faceplate, Flat White. For horizontal mounting.



OSL-EYE1-FWH
Single gang eyelid faceplate, Flat White. For vertical mounting.