

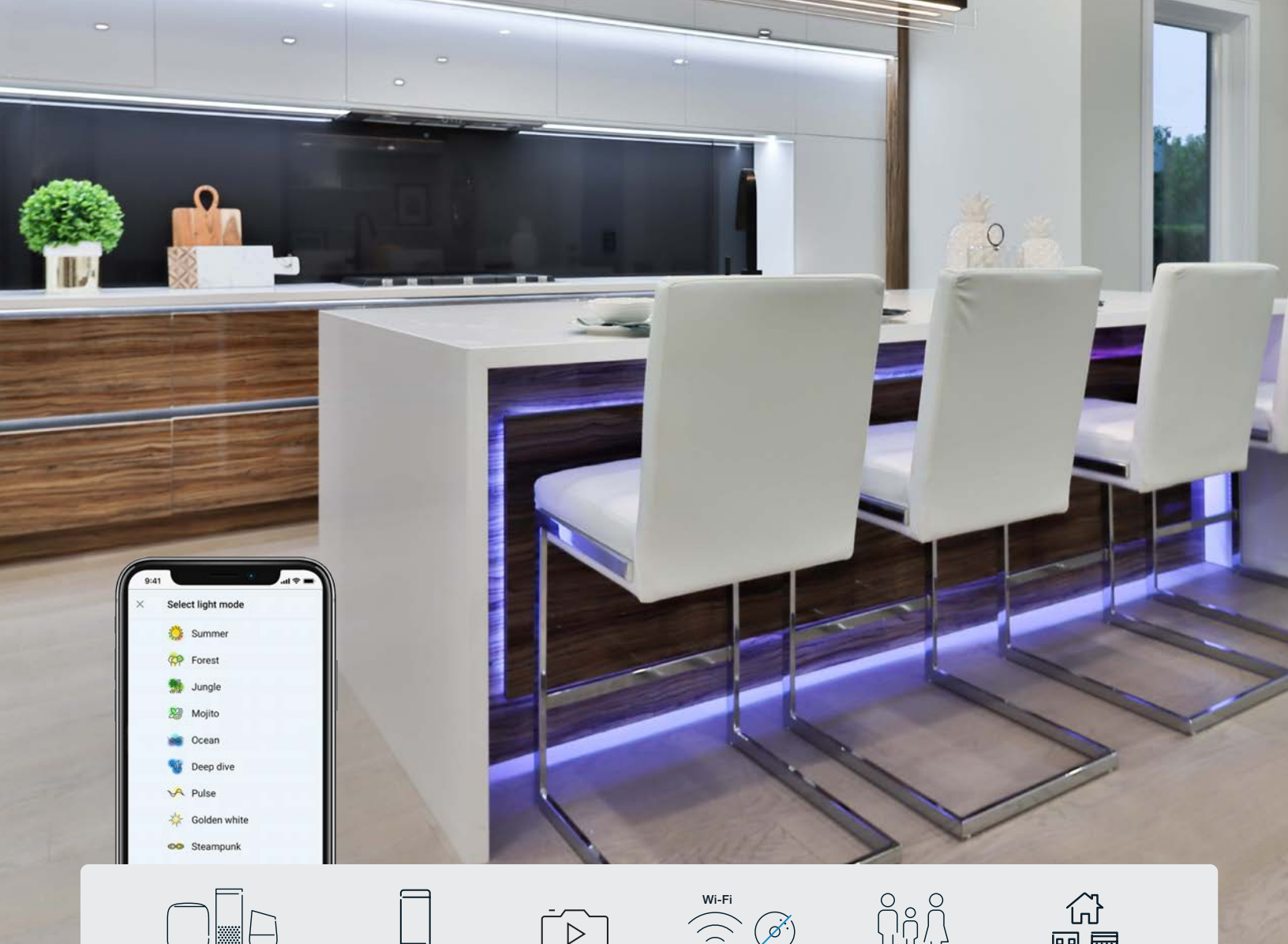


Connected by



ACCENT IN COLOR

WI-FI CONNECTED TAPE



YOUR VOICE IS THE KEY THERE'S AN APP FOR THAT SET THE SCENE NO HUB NEEDED MULTI-USER MULTI-LOCATION

ONCLOUD TAPE

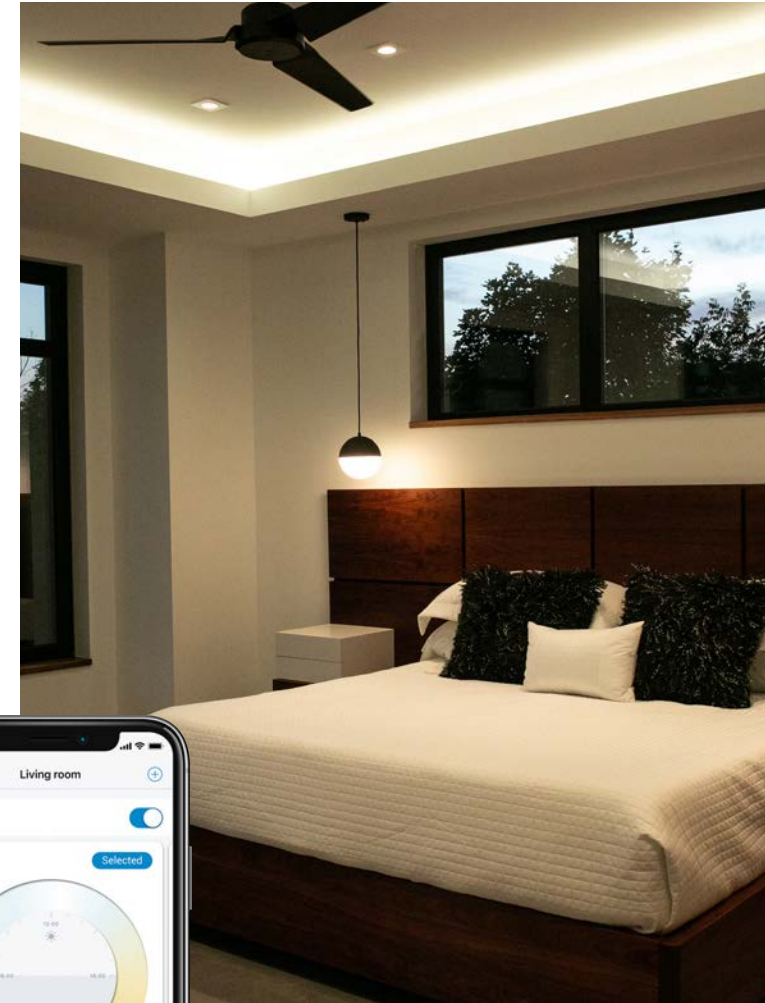
Liteline OnCloud is bringing Wi-Fi control to tape! Available in high quality white or full color and white tuning, there is even more flexibility with adding accents of illumination in residential, retail, and hospitality spaces. Add an OnCloud Kit to control your tape light from the WiZ app on your smartphone and tablet or your smart home speakers. Set schedules, dynamic light modes, circadian rhythm and more.

WORKS WITH

works with **Hey Google** WORKS WITH **alexa** Works with **Siri Shortcuts** Works with **SmartThings** Works with **IFTTT**

ONCLOUD FEATURES

- VOICE CONTROL**
OnCloud integrates with smart home speakers so you never have to get up or lift a finger to control your lighting.
- SET TIMERS**
With the ability to set up timers within the WiZ app, automatically switch light in a restaurant setting from bright at lunch to dim for dinner.
- KEEP YOUR INFORMATION SAFE**
When connecting to the app, login through your Gmail or Facebook account. WiZ does not store or share any of your personal data.
- VACATION MODE**
Relax on vacation, knowing that your home is safe with automated schedules to simulate presence in the morning and evening while you're not there.
- DYNAMIC LIGHT SCENES**
WiZ has preset dynamic light modes that rotate through color combinations that create an immersive experience.



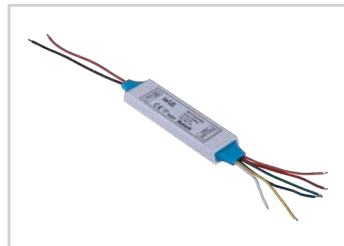
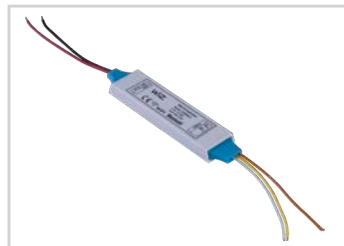
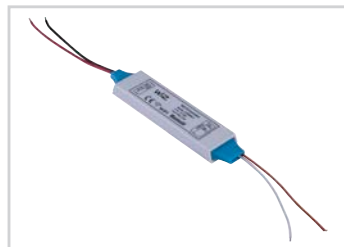
- CIRCADIAN RHYTHM**
Feel and sleep better with the circadian rhythm option, which slowly transitions lighting from morning to night. Or you can customize your white for any time of day.



CONNECTING TO THE CLOUD

Connect 12-24V fixtures to the Liteline OnCloud and WIZ ecosystem for full Wi-Fi control. The OnCloud adapter pairs with a 40W driver, and the High Power OnCloud adapter pairs with a 98W driver for longer runs of tape.

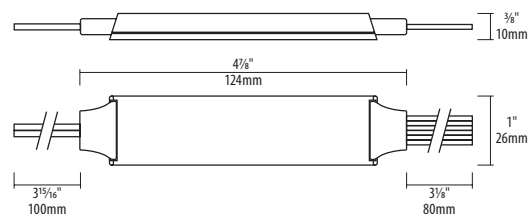
ONCLOUD ADAPTER



VOLTAGE / WATTAGE
12-24V, pairs with a 40W driver

PART NUMBERS
High Quality White:
LC-DVR-CV96W1TP-1C
Tunable White:
LC-DVR-CV96W1TW10-2C
Mood Tape:
LC-DVR-CV96W1MT03-5C
LC-DVR-CV96W1MT04-5C
LC-DVR-CV96W1MT06-5C
Color Tape:
LC-DVR-CV96W1CT10-5C

DIMENSIONS



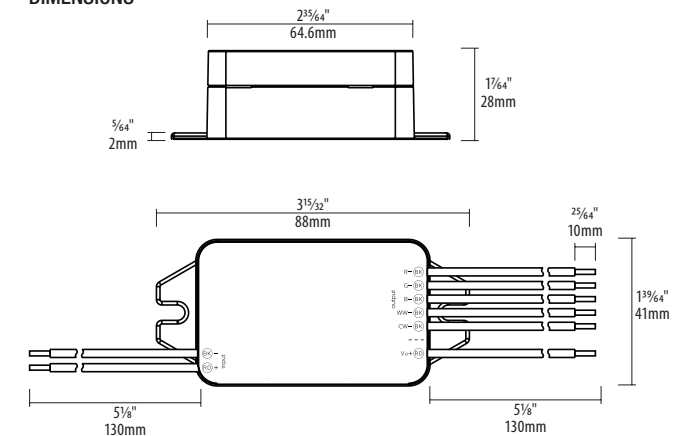
HIGH POWER ONCLOUD ADAPTER



VOLTAGE / WATTAGE
12-24V, pairs with a 98W driver

PART NUMBERS
High Quality White:
OC-DVR-CV96W1TP-1C
Tunable White:
OC-DVR-CV96W1TW10-2C
Mood Tape:
OC-DVR-CV96W1MT03-5C
OC-DVR-CV96W1MT04-5C
OC-DVR-CV96W1MT06-5C
Color Tape:
OC-DVR-CV96W1CT10-5C
OC-DVR-CV96W1CT19-5C

DIMENSIONS



HIGH QUALITY WHITE

POWERTAPE

ACCENT LIGHTING



Cuttable every 4" / 102mm

DELIVERED
1950 lm/m (585lm/ft)

WATTAGE
13W/m (4W/ft)

WIDTH
9mm (11/32")

CCT
27 K 30 K 35 K 40 K

AVAILABLE LENGTHS
3m (10ft)
6m (20ft)

COMES WITH

- Tape at selected length
- LED Hardwire driver plug-in driver
- 24V 1-channel OnCloud adapter
- Flexible LED tape extension leads
- DC 2.1 jack low voltage powerfeed

RATINGS
Dry Location IP20

CONTROL OPTIONS

- OnCloud Room Controller
- WiZ Remote
- WiZ app
- Smart home speakers

Not compatible with standard dimmers

Ordering Guide

LENGTH	CCT	DRIVER	LENS + CHANNEL ²
TP- []	[]	12-OCKIT	[]
0340 : 3m 40W Adapter 0698 : 6m 98W High Power Adapter	27 : 2700 K 30 : 3000 K 35 : 3500 K 40 : 4000 K	1 : Hardwire 2 : Plug-In ¹	Leave blank for no extrusion 1 : LED-TP-AL1607 2 : LED-TP-AL1715SA 3 : LED-TP-AL1715RA

Notes:
¹Plug-In driver can only be used with 3m length. ²Appropriate amount will be provided in 2M (6ft) lengths, tape connectors require a gap.

LENS & CHANNEL



SURFACE MOUNT LED-TP-AL1607

- 7mm deep
- 1170lm/m (351lm/ft)
- Compatible with tape up to 12mm wide
- Surface mounting
- 2m (6ft)
- Includes end caps

Dot Rendering Scale



Semi-Diffused

ACCESSORIES



LED-TP-18-BL

18" Blank cable for single color LED indoor tape light, 24V.



SURFACE MOUNT LED-TP-AL1715SA

- 15mm deep
- 1072lm/m (322lm/ft)
- Compatible with tape up to 12mm wide
- 2m (6ft)
- Includes end caps

Dot Rendering Scale



Mostly Diffused



RECESSED MOUNT LED-TP-AL1715RA

- 15mm deep
- 1072lm/m (322lm/ft)
- Compatible with tape up to 12mm wide
- 2m (6ft)
- Includes end caps

Dot Rendering Scale



Mostly Diffused



Extra Tape

LED-TP1VH-12-(27/30/35/40)

POWERTAPE 800

GENERAL ILLUMINATION



Cuttable every 2" / 51mm

DELIVERED
2500lm/m (750lm/ft)

WATTAGE
27W/m (8W/ft)

WIDTH
12mm (15/32")

CCT
27 K 30 K 35 K 40 K

AVAILABLE LENGTHS
1.5m (5ft)
3.5m (12ft)

COMES WITH

- Tape at selected length
- LED Hardwire driver plug-in driver
- 24V 1-channel OnCloud adapter
- Flexible LED tape extension leads
- DC 2.1 jack low voltage powerfeed

RATINGS
Dry Location IP20

CONTROL OPTIONS

- OnCloud Room Controller
- WiZ Remote
- WiZ app
- Smart home speakers

Not compatible with standard dimmers

Ordering Guide

LENGTH	CCT	DRIVER	LENS + CHANNEL ²
TP- []	[]	30-OCKIT	[]
0140 : 1.5m 40W Adapter 0398 : 3.5m 98W High Power Adapter	27 : 2700 K 30 : 3000 K 35 : 3500 K 40 : 4000 K	1 : Hardwire 2 : Plug-In ¹	Leave blank for no extrusion 2 : LED-TP-AL1715SA 3 : LED-TP-AL1715RA

Notes:
¹Plug-In driver can only be used with 1.5m length. ²Appropriate amount will be provided in 2M (6ft) lengths, tape connectors require a gap.

LENS & CHANNEL



SURFACE MOUNT LED-TP-AL1715SA

- 15mm deep
- 1375lm/m (412lm/ft)
- Compatible with tape up to 12mm wide
- 2m (6ft)
- Includes end caps

Dot Rendering Scale



Fully Diffused

ACCESSORIES



Powerfeed, 10 Pack

TP-CON-12MM2PIN-F-20



RECESSED MOUNT LED-TP-AL1715RA

- 15mm deep
- 1375lm/m (412lm/ft)
- Compatible with tape up to 12mm wide
- 2m (6ft)
- Includes end caps

Dot Rendering Scale



Fully Diffused

ACCESSORIES



I-Connector, 10 Pack

TP-CON-12MM2PIN-I-20



Jumper, 10 Pack

TP-CON-12MM2PIN-P-20



Extra Tape

TP-5M30W-(27/30/35/40)90-20

WHITE TUNING

WHITE TUNABLE ACCENT LIGHTING



Cuttable every 4" / 102 mm

DELIVERED

825lm/m (251lm/ft)

AVAILABLE LENGTHS

4m (13ft)
10m (33ft)

RATINGS

Damp Location IP54

WATTAGE

10W/m (3W/ft)

COMES WITH

- Tape at selected length
- LED Hardwire driver or plug-in driver
- 24V 2-channel OnCloud adapter
- Flexible LED tape extension leads
- DC 2.1 jack low voltage powerfeed

CONTROL OPTIONS

- OnCloud Room Controller
 - WiZ Remote
 - WiZ app
 - Smart home speakers
- Not compatible with standard dimmers

WIDTH

10mm (25/64")

CCT

 TUNABLE WHITE
2200 K - 6500 K

Ordering Guide

TP-	LENGTH	-TW10-OCKIT	DRIVER	LENS + CHANNEL ²
	<input type="text"/>		<input type="text"/>	<input type="text"/>
	0440 : 4m 40W Adapter 1098 : 10m 98W High Power Adapter		1 : Hardwire 2 : Plug-In ¹	Leave blank for no extrusion 1 : LED-TP-AL1607 2 : LED-TP-AL1715SA 3 : LED-TP-AL1715RA

Notes:

¹Plug-In driver can only be used with 4m 40W. ²Appropriate amount will be provided in 2M (6ft) lengths, tape connectors require a gap.

LENS & CHANNEL



SURFACE MOUNT LED-TP-AL1607

- 7mm deep
 - 495lm/m (151lm/ft)
 - Compatible with tape up to 12mm wide
 - Surface mounting
 - 2m (6ft)
 - Includes end caps
- Dot Rendering Scale



SURFACE MOUNT LED-TP-AL1715SA

- 15mm deep
 - 454lm/m (138lm/ft)
 - Compatible with tape up to 12mm wide
 - 2m (6ft)
 - Includes end caps
- Dot Rendering Scale



RECESSED MOUNT LED-TP-AL1715RA

- 15mm deep
 - 454lm/m (138lm/ft)
 - Compatible with tape up to 12mm wide
 - 2m (6ft)
 - Includes end caps
- Dot Rendering Scale



ACCESSORIES



Powerfeed, 10 pack.
TP-CON-10MM3PIN-F-54



I-Connector, 10 pack.
TP-CON-10MM3PIN-I-54



Jumper, 10 pack.
TP-CON-10MM3PIN-P-54



Extra Tape
TP-(4/10)M10W-TW95A-54

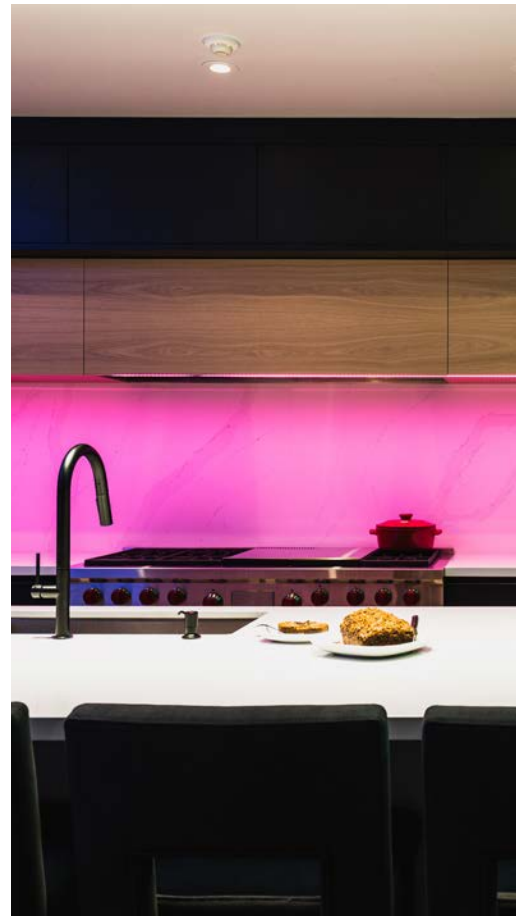


Due to our continued efforts to improve our products, product specifications are subject to change without notice. See specs online for most up to date details.

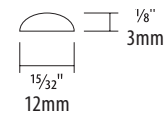
FULL COLOR + WHITE TUNING

MOOD TAPE

ACCENT LIGHTING



SIDE PROFILE



Cuttable every 4" / 102 mm

DELIVERED	WATTAGE	AVAILABLE LENGTHS	RATINGS
175lm/m (53lm/ft)	3W/m (1W/ft)	5m (16ft)	WET Location IP65
280lm/m (85lm/ft)	4W/m (1.5W/ft)	5m (16ft) / 10m (33ft)	
440lm/m (134lm/ft)	6W/m (2W/ft)	4m (13ft) / 10m (33ft)	

WIDTH	COMES WITH	CONTROL OPTIONS
12mm (15/32")	<ul style="list-style-type: none"> Tape at selected length LED Hardwire driver or plug-in driver 24V 2-channel OnCloud adapter Flexible LED tape extension leads DC 2.1 jack low voltage powerfeed 	<ul style="list-style-type: none"> OnCloud Room Controller WiZ Remote WiZ app Smart home speakers <p>Not compatible with standard dimmers</p>

CCT

-  FULL COLOR
-  TUNABLE WHITE
2200 K - 6500 K

Ordering Guide

TP-	LENGTH	-MT	WATTAGE	-OCKIT	DRIVER	LENS + CHANNEL ²
175lm/m	0540 : 5m 40W Adapter		03 : 3W/m		1 : Hardwire 2 : Plug-In ¹	Leave blank for no extrusion 1 : LED-TP-AL1607 2 : LED-TP-AL1715SA 3 : LED-TP-AL1715RA
280lm/m	0540 : 5m 40W Adapter 1040 : 10m 40W Adapter		04 : 4W/m			
440lm/m	0440 : 4m 40W Adapter 1098 : 10m 98W High Power Adapter		06 : 6W/m			

Notes:
¹Plug-In driver can only be used with 5m 40W, and 4m 40W. ²Appropriate amount will be provided in 2M (6ft) lengths, tape connectors require a gap.

LENS & CHANNEL



SURFACE MOUNT LED-TP-AL1607

- 7mm deep
- 3W: 105lm/m (32lm/ft)
- 4W: 168lm/m (51lm/ft)
- 6W: 264lm/m (80.5lm/ft)
- Surface mounting
- Compatible with tape up to 12mm wide
- 2m (6ft)
- Includes end caps

Dot Rendering Scale



Semi-Diffused



SURFACE MOUNT LED-TP-AL1715SA

- 15mm deep
- 3W: 96lm/m (29lm/ft)
- 4W: 154lm/m (47lm/ft)
- 6W: 242lm/m (74lm/ft)
- Compatible with tape up to 12mm wide
- 2m (6ft)
- Includes end caps

Dot Rendering Scale



Mostly Diffused



RECESSED MOUNT LED-TP-AL1715RA

- 15mm deep
- 3W: 96lm/m (29lm/ft)
- 4W: 154lm/m (47lm/ft)
- 6W: 242lm/m (74lm/ft)
- Compatible with tape up to 12mm wide
- 2m (6ft)
- Includes end caps

Dot Rendering Scale



Mostly Diffused

ACCESSORIES



Powerfeed, 10 pack.
TP-CON-12MM6PIN-F-10



I-Connector, 10 pack.
TP-CON-12MM6PIN-I-10



Jumper, 10 pack.
TP-CON-12MM6PIN-P-10



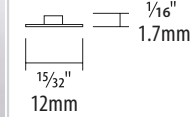
Extra Tape
TP-5M0(3/4)W-RGBTW95A-65
TP-10M04W-RGBTW95A65
TP-4M06W-RGBTW95A-65
TP-10M06W-RGBTW95A65

COLOR TAPE

GENERAL ILLUMINATION



SIDE PROFILE



Cuttable every 4" / 102 mm

DELIVERED	WATTAGE	AVAILABLE LENGTHS	RATINGS
1000lm/m (305lm/ft)	10.5W/m (3W/ft)	4m (12.5ft) / 10m (33ft)	Damp Location IP54
1650lm/m (503lm/ft)	19W/m (6W/ft)	5m (17ft)	

WIDTH	COMES WITH	CONTROL OPTIONS
12mm (15/32")	<ul style="list-style-type: none"> Tape at selected length LED Hardwire driver 24V 5-channel OnCloud adapter Flexible LED tape extension leads DC 2.1 jack low voltage powerfeed 	<ul style="list-style-type: none"> OnCloud Room Controller WiZ Remote WiZ app Smart home speakers <p>Not compatible with standard dimmers</p>

CCT

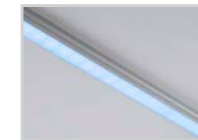
-  FULL COLOR
-  TUNABLE WHITE
2200 K - 6500 K

Ordering Guide

TP-	LENGTH	-CT	WATTAGE	-OCKIT	DRIVER	LENS + CHANNEL ²
1000lm/m	0440 : 4m 40W Adapter 1098 : 10m 98W High Power Adapter		10 : 10W/m		1 : Hardwire 2 : Plug-In ¹	Leave blank for no extrusion 2 : LED-TP-AL1715SA 3 : LED-TP-AL1715RA
1650lm/m	0598 : 5m 98W High Power Adapter		19 : 19W/m			

Notes:
¹Plug-In driver can only be used with 4m 40W. ²Appropriate amount will be provided in 2M (6ft) lengths, tape connectors require a gap.

LENS & CHANNEL



SURFACE MOUNT LED-TP-AL1715SA

- 15mm deep
- 10.5W: 550lm/m (168lm/ft)
- 19W: 907lm/m (277lm/ft)
- Compatible with tape up to 12mm wide
- 2m (6ft)
- Includes end caps

Dot Rendering Scale



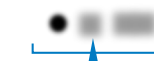
Mostly Diffused



RECESSED MOUNT LED-TP-AL1715RA

- 15mm deep
- 10.5W: 550lm/m (168lm/ft)
- 19W: 907lm/m (277lm/ft)
- Compatible with tape up to 12mm wide
- 2m (6ft)
- Includes end caps

Dot Rendering Scale



Mostly Diffused

ACCESSORIES



Powerfeed, 10 pack.
TP-CON-12MM6PIN-F-54



I-Connector, 10 pack.
TP-CON-12MM6PIN-I-54



Jumper, 10 pack.
TP-CON-12MM6PIN-P-54



Extra Tape
TP-4M10W-RGBTW95A-54
TP-10M10W-RGBTW95A54
TP-5M19W-RGBTW95A-54

CONTROLS



ROOM CONTROLLER

LC-CRTL-SCENE-1



WORKS WITH ONCLOUD
CONNECTED FIXTURES

The OnCloud Room Controller is Wi-Fi enabled to control all OnCloud and WIZ enabled lights in the room with a simple click even if there is no Wi-Fi! Use with OnCloud tape kits to be able to turn your lights ON/OFF, control the dimming, select your white, and even toggle through your four favorite modes pre-selected in the WIZ app.

- 
Connect through
WiZ app
- 
One touch
ON/OFF
- 
Dimming
- 
Wi-Fi Enabled
- 
Favorite Modes

REMOTE

LC-CRTL-RMT01WIZ-BK

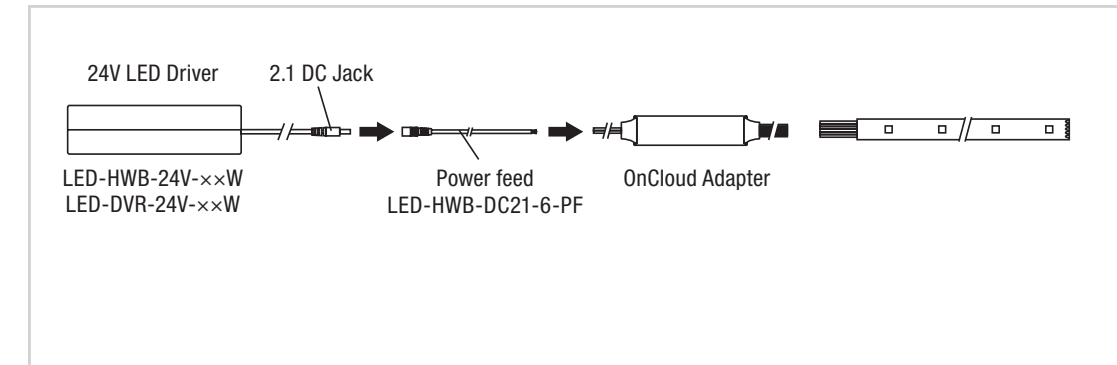


Control ON/OFF, dim the lights and toggle through your 4 favorite scenes set within the WIZ app on the WIZ remote.

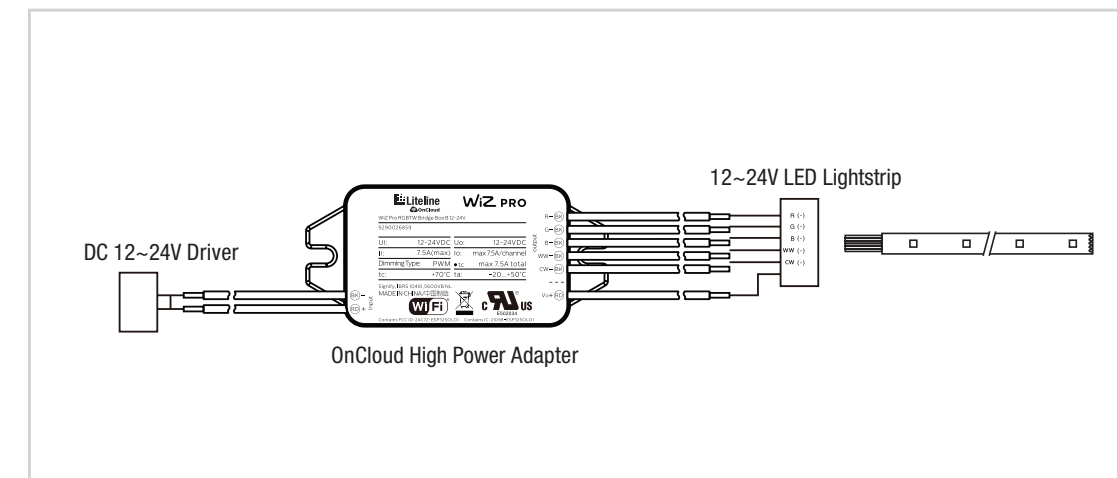
TAPE KIT COMPONENT OVERVIEW

The OnCloud adapter is a low voltage class 2 device. It must be placed in an accessible space, no more than 30ft (10m) from the Wi-Fi access point. It is also suitable for damp locations.

ONCLOUD ADAPTER



ONCLOUD HIGH POWER ADAPTER



Scan code for
installation instructions

PRODUCT LIST

POWERTAPE: Single Color Accent Lighting	
LED-TP1VH-12-(27/30/35/40)	Accent lighting PowerTape in 12" lengths. Cuttable every 4".
LC-DVR-CV96W1TP-1C	24V OnCloud adapter for single channel.
LED-HWB-24V-60W	LED hardwire driver with DC 2.1 jack, 24V, 60W.
OC-DVR-CV96W1TP-1C	High Power OnCloud adapter.
LED-HWB-24V-100W	100W LED driver, 24V, 120-277V, FL driver for use with OnCloud High Power Adapter.
LED-HWB-DC21-6-PF	DC 2.1 barrel plug to bare leads power feed.
LED-TP-XC	TILX-connector for single color LED indoor tape light, 24V.
LED-TP-18-BL	18" Blank cable for single color LED indoor tape light, 24V.
LED-TP-BL-EL	Flexible LED tape extension leads, for use with single color LED indoor tape light, 24V.

POWERTAPE 800: Single Color General Illumination	
TP-5M30W-(27/30/35/40)90-20	General Illumination PowerTape 800lm/ft 5M lengths.
LC-DVR-CV96W1TP-1C	24V OnCloud adapter for single channel.
LED-HWB-24V-60W	LED hardwire driver with DC 2.1 jack, 24V, 60W.
OC-DVR-CV96W1TP-1C	High Power OnCloud adapter.
LED-HWB-24V-100W	100W LED driver, 24V, 120-277V, FL driver for use with OnCloud High Power Adapter.
LED-HWB-DC21-6-PF	DC 2.1 barrel plug to bare leads power feed.
TP-CON-12MM2PIN-F-20	Powerfeed, 10 pack.
TP-CON-12MM2PIN-I-20	I-Connector, 10 pack.
TP-CON-12MM2PIN-P-20	Jumper, 10 pack.

White Tunable: Accent Lighting	
TP-4M10W-TW95A-54 TP-10M10W-TW95A-54	4m, 10m, 24V flexible dual channel tunable White tape (2200 K - 6500 K), 500lm per meter.
LC-DVR-CV96W1TW10-2C	24V OnCloud adapter for white tuning channel.
LED-HWB-24V-60W	LED hardwire driver with DC 2.1 jack, 24V, 60W.
OC-DVR-CV96W1TW10-2C	High Power OnCloud adapter.
LED-HWB-24V-100W	100W LED driver, 24V, 120-277V, FL driver for use with OnCloud High Power Adapter.
LED-HWB-DC21-6-PF	DC 2.1 barrel plug to bare leads power feed.
TP-CON-10MM3PIN-F-54	3-Pin 24VDC 5 Amps max. 175mm power feed. For use with TP-5M06W-TW95A-65. 10 pack.
TP-CON-10MM3PIN-I-54	3-Pin 24VDC 5 Amps max. "I" connector. For use with TP-5M06W-TW95A-65. 10 pack.
TP-CON-10MM3PIN-P-54	3-Pin 24VDC 5 Amps max. 175mm jumper. For use with TP-5M06W-TW95A-65. 10 pack.

Mood Tape: Full Color + White Tunable - Accent Lighting	
TP-5M0(3/4)W-RGBTW95A-65 TP-4M06W-RGBTW95A-65 TP-10M0(4/6)W-RGBTW95A65	4m, 5m, 10m, 24V Full color+ White Tuning tape 450lm/m.
LC-DVR-CV96W1MT0(3/4/6)-5C	24V OnCloud adapter for full color and white tuning wireless control.
LED-HWB-24V-60W	LED hardwire driver with DC 2.1 jack, 24V, 60W.
OC-DVR-CV96W1MT0(3/4/5)-5C	High Power OnCloud adapter.
LED-HWB-24V-100W	100W LED driver, 24V, 120-277V, FL driver for use with OnCloud High Power Adapter.
LED-HWB-DC21-6-PF	DC 2.1 barrel plug to bare leads power feed.
TP-CON-12MM6PIN-F-10	6-Pin 24VDC 5 Amps max. 175mm power feed. For use with TP-5M0xW-RGBTW95A-65. 10 pack.
TP-CON-12MM6PIN-I-10	6-Pin 24VDC 5 Amps max. "I" connector. For use with TP-5M0xW-RGBTW95A-65. 10 pack.
TP-CON-12MM6PIN-P-10	6-Pin 24VDC 5 Amps max. 175mm jumper. For use with TP-5M0xW-RGBTW95A-65. 10 pack.
LED-TP-AL1607	Aluminum profile for LED tape, with diffuser. 5/8"x1/4" "x72" (16x7x1830mm).
LED-TP-AL1607-EC	End cap for LED-TP-AL1607, 2-pack.
LED-TP-AL1607-MC	Mounting clips for LED-TP-AL1607, 4-pack.
LED-TP-AL1715SA	Surface mount aluminum profile for LED tape, with diffuser. 11/16"x19/32"x72" (17x15x1830mm).
LED-TP-AL1715RA	Recessed aluminum profile for LED tape, with diffuser. 11/16"x19/32"x72" (17x15x1830mm).

Color Tape: Full Color + White Tunable - General Illumination	
TP-4M10W-RGBTW95A-54 TP-10M10W-RGBTW95A54 TP-5M19W-RGBTW95A-54	4m, 5m or 10m, 24V Full color+ White Tuning tape 1000lm/m.
LC-DVR-CV96W1CT10-5C	24V OnCloud adapter for full color and white tuning wireless control.
LED-HWB-24V-60W	LED hardwire driver with DC 2.1 jack, 24V, 60W.
OC-DVR-CV96W1CT(10/19)-5C	High Power OnCloud adapter.
LED-HWB-24V-100W	100W LED driver, 24V, 120-277V, FL driver for use with OnCloud High Power Adapter.
TP-CON-12MM6PIN-F-54	P-Pin 24VDC 5 Amps max. 175mm power feed. For use with TP-(4M10W/3M15W/2M20W)-RGBTW95A-65. 10 pack.
TP-CON-12MM6PIN-I-54	6-Pin 24VDC 5 Amps max. "I" connector. For use with TP-(4M10W/3M15W/2M20W)-RGBTW95A-65. 10 pack.
TP-CON-12MM6PIN-P-54	6-Pin 24VDC 5 Amps max. 175mm jumper. For use with TP-(4M10W/3M15W/2M20W)-RGBTW95A-65. 10 pack.

Control Devices	
LC-CRTL-SCENE-1	OnCloud Room Controller for all OnCloud or WIZ enabled fixtures.
LC-CRTL-RMT01WIZ-BK	OnCloud Remote for all OnCloud or WIZ enabled fixtures.

Lens and Channels	
LED-TP-AL1607	Aluminum profile for LED tape, with diffuser. 5/8"x1/4" "x72" (16x7x1830mm).
LED-TP-AL1607-EC	End cap for LED-TP-AL1607, 2-pack.
LED-TP-AL1607-MC	Mounting clips for LED-TP-AL1607, 4-pack.
LED-TP-AL1715SA	Surface mount aluminum profile for LED tape, with diffuser. 11/16"x19/32"x72" (17x15x1830mm).
LED-TP-AL1715RA	Recessed aluminum profile for LED tape, with diffuser. 11/16"x19/32"x72" (17x15x1830mm).





Connected by



Liteline Corporation
Copyright © 2022
All rights reserved.

Telephone
416.996.1856
1.866.730.7704

Fax
905.709.5255
1.888.738.9736

LITELINE.COM

M-TAPE0C-E
REV 03.11.22



6 62243 10671 2