

# Day-Brite

## CFI

by Signify

Linear

SDS Selectable Strip

4ft & 8ft



The SDS Selectable Strip LED from Day-Brite/CFI is an economical, lumen and CCT field selectable luminaire which can be used for commercial or residential applications.



Project: \_\_\_\_\_  
 Location: \_\_\_\_\_  
 Cat.No: \_\_\_\_\_  
 Type: \_\_\_\_\_  
 Lumens: \_\_\_\_\_ Qty: \_\_\_\_\_  
 Notes: \_\_\_\_\_

### Ordering guide

Example: SDS42448L8CST-UN3-DIM

| Series                           | Length (nominal)     | Lumens <sup>1</sup> (nominal) | Color temp. (K)                             | Voltage                          | Dimming                          |
|----------------------------------|----------------------|-------------------------------|---|----------------------------------|----------------------------------|
| <input type="text" value="SDS"/> | <input type="text"/> | <input type="text"/>          | <input type="text" value="8CST"/>           | <input type="text" value="UN3"/> | <input type="text" value="DIM"/> |
| SDS Selectable Strip LED         | 4 4' length          | 2448L 2430/3640/4850lm        | 8CST 80 CRI, Color Select (3500/4000/5000K) | UN3 Universal voltage 120-347V   | DIM 0-10V dimming                |
|                                  | 8 8' length          | 4998L 4900/7350/9800lm        |   |                                  |                                  |

1. Nominal delivered lumens at 25°C ambient.

### Accessories (order separately)

- MD360 Field installable motion detector (120-277V)
- MD360-347 Field installable motion detector (347V)
- FKR-126 Two 5' chains and "V" hooks
- SV5F12 12" White stem and canopy kit (1/4" trade size with locknuts included)
- SV5F18 18" White stem and canopy kit (1/4" trade size with locknuts included)
- SV5F24 24" White stem and canopy kit (1/4" trade size with locknuts included)
- SV5F36 36" White stem and canopy kit (1/4" trade size with locknuts included)
- SV5F48 48" White stem and canopy kit (1/4" trade size with locknuts included)
- DACHxx Adjustable cable hanger kit (single)
- DACHxx-1-SC Adjustable cable hanger kit with white straight 18/3 cord (single)
- DACHxx-2-SC Adjustable cable hanger kit with white straight 18/4 cord (single)
- DACHxx-1D-SC Adjustable cable hanger kit with white straight 18/5 cord with dimming leads (single) (xx=cable length in inches, enter 48" to 180" lengths in 12" increments)

Many luminaire components, such as reflectors, lenses, sockets, lampholders, and LEDs are made from various types of plastics which can be adversely affected by airborne contaminants.  
 If sulfur based chemicals, petroleum based products, cleaning solutions, or other contaminants are expected in the intended area of use, consult factory for compatibility.

### Features

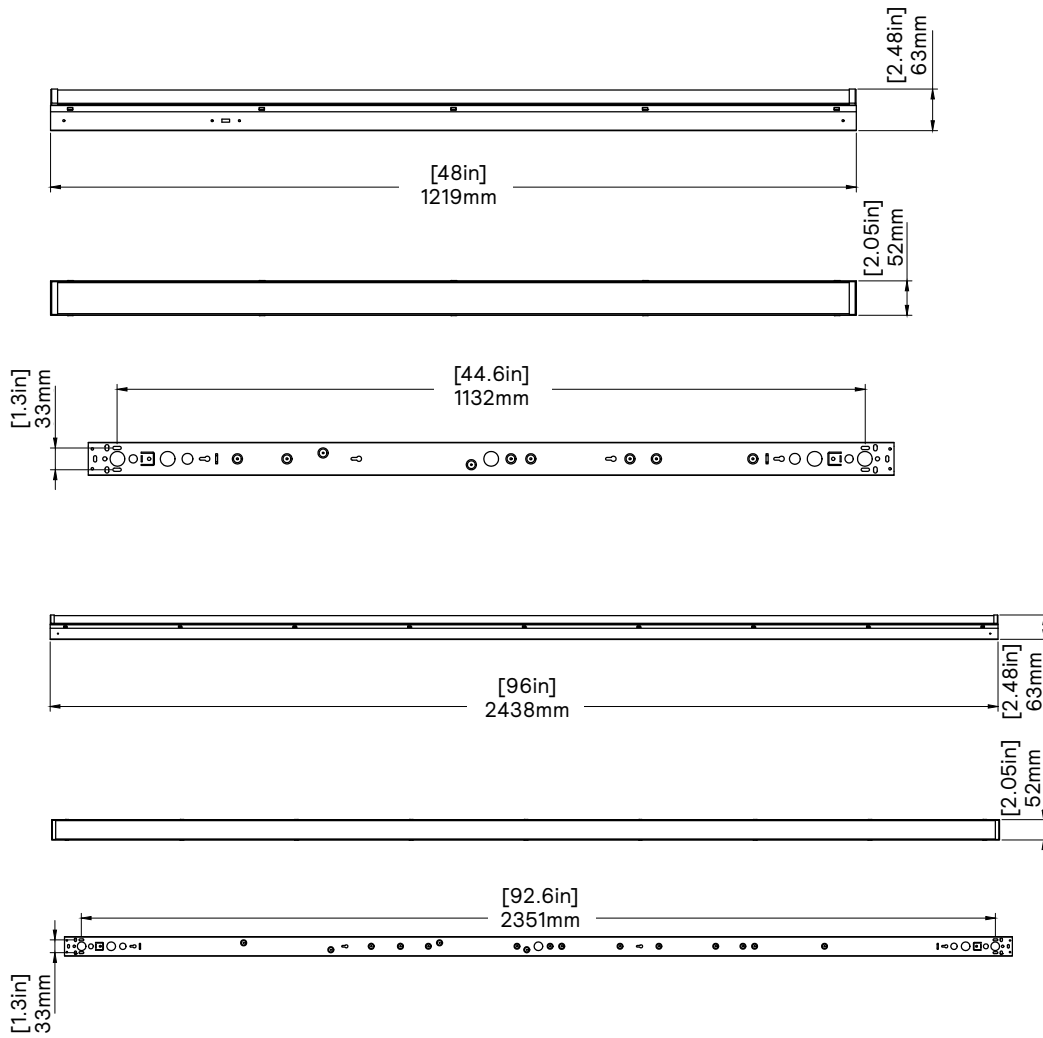
- White painted metal housing for durability.
- Frosted polycarbonate lens for even, low glare lighting.
- Field CCT and Lumen selectable.
- Safety cable between lens/LED assembly and housing for ease of service and installation.
- Easy hanging installation with holes provided in housing.
- cULus listed to meet UL 1598 standards for -20C to 40C ambient.
- Suitable for damp locations.
- L70 LED predicted lumen maintenance >50,000 hours.
- 5 year limited luminaire warranty. Visit [www.signify.com/warranties](http://www.signify.com/warranties) for complete warranty information.
- DesignLights Consortium qualified. Please see the DLC QPL list for exact catalog numbers ([www.designlights.org/QPL](http://www.designlights.org/QPL))



# SDS Selectable Strip LED

4ft & 8ft

## Dimensions



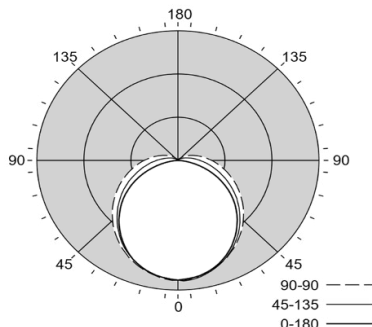
# SDS Selectable Strip LED

4ft & 8ft

## Photometry

### SDS42448L8CST-UN3-DIM 40W-4000K

Luminaire Lumens 4986  
 Luminaire Efficacy Rating (LER) 124  
 Total Luminaire Watts 40.2  
 Spacing Criterion (0-180) 1.24



|     | Candela Distribution |      |      |      |      | Flux   |
|-----|----------------------|------|------|------|------|--------|
|     | 0                    | 45   | 90   | 135  | 180  | Lumens |
| 0   | 1351                 | 1351 | 1351 | 1351 | 1351 |        |
| 5   | 1337                 | 1359 | 1354 | 1341 | 1339 | 128    |
| 15  | 1284                 | 1309 | 1309 | 1295 | 1288 | 367    |
| 25  | 1186                 | 1219 | 1234 | 1211 | 1190 | 559    |
| 35  | 1043                 | 1095 | 1128 | 1086 | 1049 | 683    |
| 45  | 872                  | 943  | 1001 | 932  | 878  | 728    |
| 55  | 678                  | 775  | 862  | 771  | 684  | 693    |
| 65  | 460                  | 603  | 714  | 602  | 467  | 593    |
| 75  | 229                  | 438  | 571  | 440  | 235  | 452    |
| 85  | 41                   | 304  | 438  | 298  | 44   | 310    |
| 90  | 3                    | 244  | 379  | 237  | 4    |        |
| 95  | 3                    | 197  | 321  | 193  | 3    | 202    |
| 105 | 2                    | 118  | 225  | 117  | 1    | 126    |
| 115 | 2                    | 70   | 146  | 65   | 2    | 74     |
| 125 | 2                    | 37   | 89   | 35   | 2    | 39     |
| 135 | 3                    | 18   | 49   | 19   | 3    | 18     |
| 145 | 4                    | 7    | 24   | 7    | 4    | 8      |
| 155 | 6                    | 6    | 8    | 6    | 7    | 3      |
| 165 | 7                    | 8    | 6    | 8    | 8    | 2      |
| 175 | 9                    | 9    | 9    | 9    | 8    | 1      |
| 180 | 9                    | 9    | 9    | 9    | 9    |        |

| Coefficients of Utilization (%) |     |     |     |     |     |     |     |     |     |     |    |   |   |
|---------------------------------|-----|-----|-----|-----|-----|-----|-----|-----|-----|-----|----|---|---|
| Pc--                            | 80  |     |     |     | 70  |     |     |     | 50  |     |    |   | 0 |
| Pw--                            | 70  | 50  | 30  | 10  | 70  | 50  | 30  | 50  | 30  | 10  | 0  | 0 |   |
| RCR                             |     |     |     |     |     |     |     |     |     |     |    |   |   |
| 0                               | 117 | 117 | 117 | 117 | 113 | 113 | 113 | 106 | 106 | 106 | 91 |   |   |
| 1                               | 104 | 99  | 93  | 89  | 100 | 95  | 91  | 89  | 85  | 82  | 71 |   |   |
| 2                               | 94  | 85  | 77  | 71  | 90  | 82  | 75  | 77  | 71  | 66  | 57 |   |   |
| 3                               | 85  | 74  | 65  | 58  | 82  | 71  | 63  | 67  | 60  | 55  | 48 |   |   |
| 4                               | 78  | 65  | 56  | 49  | 75  | 63  | 54  | 59  | 52  | 46  | 40 |   |   |
| 5                               | 71  | 58  | 48  | 41  | 68  | 56  | 47  | 53  | 45  | 39  | 34 |   |   |
| 6                               | 66  | 52  | 43  | 36  | 63  | 50  | 42  | 48  | 40  | 34  | 30 |   |   |
| 7                               | 61  | 47  | 38  | 32  | 59  | 46  | 37  | 43  | 36  | 30  | 26 |   |   |
| 8                               | 57  | 43  | 34  | 28  | 54  | 42  | 33  | 39  | 32  | 27  | 23 |   |   |
| 9                               | 53  | 39  | 31  | 25  | 51  | 38  | 30  | 36  | 29  | 24  | 21 |   |   |
| 10                              | 49  | 36  | 28  | 23  | 48  | 35  | 28  | 34  | 27  | 22  | 19 |   |   |

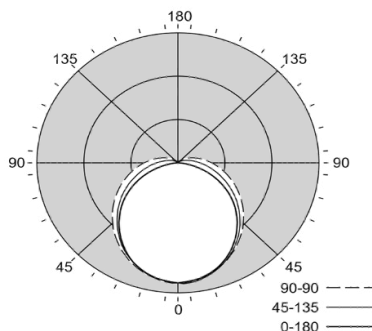
\*Based on a floor reflectance of 0.2

| Zonal Lumen Summary |        |          |        |
|---------------------|--------|----------|--------|
| Zone                | Lumens | %Fixture | %Lamp  |
| 0-30                | 1054   | 21.1%    | 21.1%  |
| 0-40                | 1737   | 34.8%    | 34.8%  |
| 0-60                | 3158   | 63.3%    | 63.3%  |
| 0-90                | 4513   | 90.5%    | 90.5%  |
| 90-130              | 441    | 8.8%     | 8.8%   |
| 90-150              | 467    | 9.4%     | 9.4%   |
| 90-180              | 473    | 9.5%     | 9.5%   |
| 0-180               | 4986   | 100.0%   | 100.0% |

| Avg. Luminance (cd/m²) |       |       |       |
|------------------------|-------|-------|-------|
|                        | 0     | 45    | 90    |
| 45                     | 18938 | 14833 | 14261 |
| 55                     | 17957 | 13358 | 13107 |
| 65                     | 16262 | 11879 | 12053 |
| 75                     | 12755 | 10464 | 11213 |
| 85                     | 5850  | 9562  | 10651 |

### SDS84998L8CST-UN3-DIM 80W-4000K

Luminaire Lumens 9244  
 Luminaire Efficacy Rating (LER) 119  
 Total Luminaire Watts 77.5  
 Spacing Criterion (0-180) 1.24



|     | Candela Distribution |      |      |      |      | Flux   |
|-----|----------------------|------|------|------|------|--------|
|     | 0                    | 45   | 90   | 135  | 180  | Lumens |
| 0   | 2504                 | 2504 | 2504 | 2504 | 2504 |        |
| 5   | 2478                 | 2520 | 2509 | 2485 | 2482 | 237    |
| 15  | 2380                 | 2427 | 2428 | 2401 | 2388 | 680    |
| 25  | 2198                 | 2260 | 2288 | 2244 | 2206 | 1037   |
| 35  | 1934                 | 2031 | 2092 | 2014 | 1944 | 1267   |
| 45  | 1617                 | 1749 | 1857 | 1727 | 1627 | 1349   |
| 55  | 1256                 | 1438 | 1597 | 1430 | 1269 | 1285   |
| 65  | 852                  | 1117 | 1324 | 1117 | 865  | 1099   |
| 75  | 424                  | 813  | 1059 | 815  | 436  | 838    |
| 85  | 77                   | 563  | 812  | 553  | 81   | 574    |
| 90  | 6                    | 452  | 702  | 440  | 7    |        |
| 95  | 6                    | 365  | 596  | 358  | 6    | 374    |
| 105 | 3                    | 220  | 416  | 217  | 3    | 234    |
| 115 | 4                    | 129  | 270  | 120  | 4    | 136    |
| 125 | 3                    | 68   | 165  | 65   | 3    | 73     |
| 135 | 6                    | 33   | 91   | 35   | 6    | 34     |
| 145 | 8                    | 13   | 45   | 12   | 8    | 15     |
| 155 | 12                   | 12   | 15   | 11   | 12   | 6      |
| 165 | 12                   | 15   | 12   | 15   | 14   | 4      |
| 175 | 16                   | 16   | 16   | 16   | 15   | 2      |
| 180 | 16                   | 16   | 16   | 16   | 16   |        |

| Coefficients of Utilization (%) |     |     |     |     |     |     |     |     |     |     |    |   |   |
|---------------------------------|-----|-----|-----|-----|-----|-----|-----|-----|-----|-----|----|---|---|
| Pc--                            | 80  |     |     |     | 70  |     |     |     | 50  |     |    |   | 0 |
| Pw--                            | 70  | 50  | 30  | 10  | 70  | 50  | 30  | 50  | 30  | 10  | 0  | 0 |   |
| RCR                             |     |     |     |     |     |     |     |     |     |     |    |   |   |
| 0                               | 117 | 117 | 117 | 117 | 113 | 113 | 113 | 106 | 106 | 106 | 91 |   |   |
| 1                               | 104 | 99  | 93  | 89  | 100 | 95  | 91  | 89  | 85  | 82  | 71 |   |   |
| 2                               | 94  | 85  | 77  | 71  | 90  | 82  | 75  | 77  | 71  | 66  | 57 |   |   |
| 3                               | 85  | 74  | 65  | 58  | 82  | 71  | 63  | 67  | 60  | 55  | 48 |   |   |
| 4                               | 78  | 65  | 56  | 49  | 75  | 63  | 54  | 59  | 52  | 46  | 40 |   |   |
| 5                               | 71  | 58  | 48  | 41  | 68  | 56  | 47  | 53  | 45  | 39  | 34 |   |   |
| 6                               | 66  | 52  | 43  | 36  | 63  | 50  | 42  | 48  | 40  | 34  | 30 |   |   |
| 7                               | 61  | 47  | 38  | 32  | 59  | 46  | 37  | 43  | 36  | 30  | 26 |   |   |
| 8                               | 57  | 43  | 34  | 28  | 54  | 42  | 33  | 39  | 32  | 27  | 23 |   |   |
| 9                               | 53  | 39  | 31  | 25  | 51  | 38  | 30  | 36  | 29  | 24  | 21 |   |   |
| 10                              | 49  | 36  | 28  | 23  | 48  | 35  | 28  | 34  | 27  | 22  | 19 |   |   |

\*Based on a floor reflectance of 0.2

| Zonal Lumen Summary |        |          |        |
|---------------------|--------|----------|--------|
| Zone                | Lumens | %Fixture | %Lamp  |
| 0-30                | 1954   | 21.1%    | 21.1%  |
| 0-40                | 3221   | 34.8%    | 34.8%  |
| 0-60                | 5855   | 63.3%    | 63.3%  |
| 0-90                | 8366   | 90.5%    | 90.5%  |
| 90-130              | 817    | 8.8%     | 8.8%   |
| 90-150              | 866    | 9.4%     | 9.4%   |
| 90-180              | 878    | 9.5%     | 9.5%   |
| 0-180               | 9244   | 100.0%   | 100.0% |

| Avg. Luminance (cd/m²) |       |       |       |
|------------------------|-------|-------|-------|
|                        | 0     | 45    | 90    |
| 45                     | 17762 | 13832 | 13219 |
| 55                     | 16925 | 12477 | 12149 |
| 65                     | 15452 | 11118 | 11172 |
| 75                     | 12330 | 9822  | 10394 |
| 85                     | 6076  | 9016  | 9873  |

# SDS Selectable Strip LED

4ft & 8ft

## Photometric Test List

| Catalog No.               | Size | Delivered Lumens |       |       | Input Watts |       |       | Efficacy |       |       |
|---------------------------|------|------------------|-------|-------|-------------|-------|-------|----------|-------|-------|
|                           |      | 3500K            | 4000K | 5000K | 3500K       | 4000K | 5000K | 3500K    | 4000K | 5000K |
| SDS42448L8CST-UN3-DIM 20W | 4'   | 2669             | 2696  | 2723  | 19.5        | 19.5  | 19.5  | 136.9    | 138.3 | 139.6 |
| SDS42448L8CST-UN3-DIM 30W | 4'   | 3800             | 3841  | 3882  | 29.9        | 29.9  | 29.9  | 127.1    | 128.5 | 129.8 |
| SDS42448L8CST-UN3-DIM 40W | 4'   | 4931             | 4986  | 5041  | 40.3        | 40.2  | 40.2  | 122.4    | 124.0 | 125.4 |
| SDS84998L8CST-UN3-DIM 40W | 8'   | 4914             | 4964  | 5014  | 37.5        | 37.5  | 37.5  | 131.0    | 132.4 | 133.7 |
| SDS84998L8CST-UN3-DIM 60W | 8'   | 7028             | 7104  | 7179  | 57.5        | 57.5  | 57.5  | 122.2    | 123.5 | 124.9 |
| SDS84998L8CST-UN3-DIM 80W | 8'   | 9142             | 9244  | 9345  | 77.5        | 77.5  | 77.5  | 118.0    | 119.3 | 120.6 |



© 2021 Signify Holding. All rights reserved. The information provided herein is subject to change, without notice. Signify does not give any representation or warranty as to the accuracy or completeness of the information included herein and shall not be liable for any action in reliance thereon. The information presented in this document is not intended as any commercial offer and does not form part of any quotation or contract, unless otherwise agreed by Signify.

Signify North America Corporation  
200 Franklin Square Drive,  
Somerset, NJ 08873  
Telephone 855-486-2216

Signify Canada Ltd.  
281 Hillmount Road,  
Markham, ON, Canada L6C 2S3  
Telephone 800-668-9008

All trademarks are owned by Signify Holding or their respective owners.