

## Series Spec Sheet

# FLL

## HIGH POWER FLOOD AND AREA LIGHTS CCT AND POWER SELECTABLE<sup>1</sup>

These high-power flood lights are designed with ease of installation due to the slide on feature for mounting options and they allow for optic interchangeability to suit different applications. The color temperature and the power can be changed on site by sliding the CCT selectable switches. For energy savings and enhanced safety, this product series comes with a 7 pin photocell receptacle for the ability to add a dusk till dawn photocell and includes a sensor adapter compatible with both smart and non-smart sensors. The FLL series is great for general lighting of grounds, storage yards, car dealerships, parking areas as well as flood lighting of signs and building facades.

### FEATURES AND SPECIFICATIONS

#### • Construction

##### Physical Characteristics

- Die-cast aluminum housing, available in a black and bronze finish
- Housing design includes 2 front latches to facilitate the exchange of optic
- 7 pin photocell receptacle and a shorting cap included in all configurations
- CCT and Power select switches are located underneath the housing and are easily accessible on field
- Integrated sensor receptacle makes for easy plug-and-play installation of smart and non-smart sensors. No wiring required. Sensors are sold separately, see accessories table
- 1 meter of power cable to better facilitate the installation included in all configurations

##### Lens/Optic

- A frosted polycarbonate lens in a nema 7Hx7V distribution is standard for this series. Area lights optics are available as an accessory: II, III, IV and V.

##### Mounting

- Quick and easy installation with the following mounting accessories available:
  - Yoke
  - Trunnion
  - Slipfitter
  - Square/Round pole arm
  - Slipfitter with wall/pole mount adapter

#### • Performance data

- Available in a 2 200 K color temperature and in 3 000/4 000/5 000 K selectable color temperature
- 80+ CRI
- Electrical ratings: 120-347 V
- Estimated life of 100 000 hours to L70
- 0-10 V dimming standard
- Operating temperature:
  - 40 °C to 50 °C (-40 °F to 122 °F)
- 10kV surge protection

#### • Compliances

- cULus listed for wet location
- Meets requirements of ICES-005 issue 5 class A for use in commercial applications
- IK08
- IP65
- BC Hydro
- 3G vibration resistant in compliance with ANSI/IEEE C136.31 standard for luminaire vibration
- DLC Premium

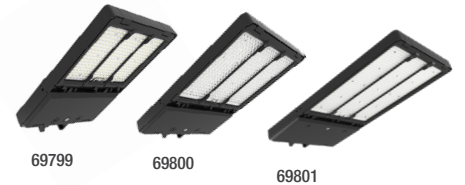
### OVERVIEW

Light source	LED
Watts (W)	60/100/150 160/200/240/300 350/400/450
Lumen output (lm)	8 017 - 62 598
Efficacy (lm/W)	122 - 164
Color temperature (K)	2 200 3CCT (3 000/4 000/5 000)
CRI	80+

#### Bronze



#### Black



Not all products are qualified on the DLC QPL. To view our DLC qualified products, please consult the DLC Qualified Products List at [www.designlights.org/search](http://www.designlights.org/search).

<sup>1</sup> CCT selectable available on certain models. Consult Quick ship and technical specification table for more details.

QUICK SHIP AND TECHNICAL SPECIFICATION TABLE 

Order code	Model number	DLC unique ID	Watts	Volts	Color temp.	Lumen output	Efficacy	CRI	Life L70	Tested hours LM-80	Calculated TM21	NEMA type <sup>5</sup>	B.U.G.	LED current	Finish	Power factor	THD	Traditional equivalent (W)		Master case qty
			(W)	(VAC)	(K) <sup>1</sup>	(lm) <sup>2-3</sup>	(lm/W)	(hrs) <sup>4</sup>	(hrs) <sup>4</sup>	(hrs) <sup>4</sup>	(mA)	(%)	MH	HPS						
<b>CCT and Power Selectable</b>																				
69796	FLLS-PS150W-Q3CBR	S-FCQPYC	60/100/150	120-347	3 000/4 000/5 000	22 137	148	80+	100 000	10 000	>60 000	7H x 7V	B4-U0-G1	54.5	Bronze	≥0.9	≤20%	400-1 000	400	1
69797	FLLM-PS300W-Q3CBR	S-D2WTVR	160/200/240/300	120-347	3 000/4 000/5 000	43 965	147	80+	100 000	10 000	>60 000	7H x 7V	B5-U0-G2	54.5	Bronze	≥0.9	≤20%	400-1 000	1 000	1
69798	FLLL-PS450W-Q3CBR	S-ZXX81R	350/400/450	120-347	3 000/4 000/5 000	62 645	139	80+	100 000	10 000	>60 000	7H x 7V	B5-U0-G2	54.5	Bronze	≥0.9	≤20%	1 000	1 000	1
69799	FLLS-PS150W-Q3CBK	S-FCQPYC	60/100/150	120-347	3 000/4 000/5 000	22 137	148	80+	100 000	10 000	>60 000	7H x 7V	B4-U0-G1	54.5	Black	≥0.9	≤20%	400-1 000	400	1
69800	FLLM-PS300W-Q3CBK	S-D2WTVR	160/200/240/300	120-347	3 000/4 000/5 000	43 965	147	80+	100 000	10 000	>60 000	7H x 7V	B5-U0-G2	54.5	Black	≥0.9	≤20%	400-1 000	1 000	1
69801	FLLL-PS450W-Q3CBK	S-ZXX81R	350/400/450	120-347	3 000/4 000/5 000	62 645	139	80+	100 000	10 000	>60 000	7H x 7V	B5-U0-G2	54.5	Black	≥0.9	≤20%	1 000	1 000	1
<b>Single CCT and Power Selectable</b>																				
69802	FLLS-PS150W-Q22KBR	N/A	60/100/150	120-347	2 200	17 702	123	80+	100,000	10,000	>60 000	7H x 7V	B4-U0-G1	54.5	Bronze	≥0.9	≤20%	400-1 000	250-400	1
69803	FLLM-PS300W-Q22KBR	N/A	160/200/240/300	120-347	2 200	36 372	122	80+	100,000	10,000	>60 000	7H x 7V	B5-U0-G2	54.5	Bronze	≥0.9	≤20%	400-1 000	400-1 000	1

<sup>1</sup> Typical color temperature range: +/- 5 %.  
<sup>2</sup> Lumen values are derived from photometric testing. Initial lumens range: +/- 10 %.  
<sup>3</sup> Lumen values are based on 4 000 K default programming for CCT selectable models. Please refer to the LUMEN SPECIFICATION TABLE for more details on other color temperatures.  
<sup>4</sup> Life hours are derived from IESNA LM-80 testing report and projected per IESNA TM-21 extrapolations.  
<sup>5</sup> Type II, III, IV and V distributions available. Refer to accessory table.

TECHNICAL SPECIFICATION TABLE  
CCT AND POWER SELECTABLE

Order code	Model numbers	Watts (W)	Nema Type	3 000 K		4 000 K		5 000 K	
				Lumen output (lm)	Efficacy (lm/W)	Lumen output (lm)	Efficacy (lm/W)	Lumen output (lm)	Efficacy (lm/W)
69796 69799	FLLS-PS150W-Q3CBR FLLS-PS150W-Q3CBK	60	7H x 7V	8 814	147	9 355	156	9 200	153
		100		14 480	145	15 801	158	15 441	154
		150		19 750	132	22 137	148	21 065	140
69797 69800	FLLM-PS300W-Q3CBR FLLM-PS300W-Q3CBK	160	7H x 7V	24 047	150	26 182	164	25 918	162
		200		28 950	145	31 848	159	31 140	156
		240		32 848	137	36 562	152	35 338	147
		300		38 639	129	43 965	147	41 797	139
69798 69801	FLLL-PS450W-Q3CBR FLLL-PS450W-Q3CBK	350	7H x 7V	45 589	130	50 140	143	48 900	140
		400		49 065	123	54 217	136	52 254	131
		450		56 253	125	62 645	139	59 665	133

**DEFAULT PROGRAMMING**  
 69796 / 69799: 150 W / 4 000 K  
 69797 / 69800: 300 W / 4 000 K  
 69798 / 69801: 450 W / 4 000 K

TECHNICAL SPECIFICATION TABLE  
SINGLE CCT AND POWER SELECTABLE

Order code	Model numbers	Watts (W)	Nema Type	2 200 K	
				Lumen output (lm)	Efficacy (lm/W)
69802	FLLS-PS150W-Q22KBR	60	7H x 7V	8 017	135
		100		12 980	131
		150		17 702	123
69803	FLLM-PS300W-Q22KBR	160	7H x 7V	22 556	136
		200		27 112	132
		240		31 011	128
		300		36 372	122

**DEFAULT PROGRAMMING**  
 69802: 150 W  
 69803: 300 W

Data is based upon tests performed in a controlled environment. Actual performance can vary depending on operating conditions. All products are subject to change or may be discontinued any time without notice. Please contact your Stanpro customer service representative to confirm inventory levels at time of order.

**ACCESSORIES (order separately)**

Order code	Type	Finish	Compatible with																															
69823	Glareshield for 150 W models	Bronze	69796, 69802																															
69824	Glareshield for 300 W models	Bronze	69797, 69803																															
69825	Glareshield for 450 W models	Bronze	69798																															
69805	Yoke mount for 150 W models	Bronze	69796, 69802																															
69806	Yoke mount for 300 W models	Bronze	69797, 69803																															
69807	Yoke mount for 450 W models	Bronze	69798																															
69808	Trunnion	Bronze	69796, 69797, 69798, 69802, 69803																															
69809	Slipfitter for 150 W and 300 W models	Bronze	69796, 69797, 69802, 69803																															
69810	Slipfitter for 450 W models	Bronze	69798																															
69811	Straight arm for square/round pole	Bronze	69796, 69797, 69798, 69802, 69803																															
69812	Slipfitter with wall/pole mount adapter for 150 W and 300 W models	Bronze	69796, 69797, 69802, 69803																															
69813	Slipfitter with wall/pole mount adapter for 450 W models	Bronze	69798																															
69826	Glareshield for 150 W models	Black	69799																															
69827	Glareshield for 300 W models	Black	69800																															
69828	Glareshield for 450 W models	Black	69801																															
69814	Yoke mount for 150 W models	Black	69799																															
69815	Yoke mount for 300 W models	Black	69800																															
69816	Yoke mount for 450 W models	Black	69801																															
69817	Trunnion	Black	69799, 69800, 69801																															
69818	Slipfitter for 150W and 300 W models	Black	69799, 69800																															
69819	Slipfitter for 450 W models	Black	69801																															
69820	Straight arm for square/round pole	Black	69799, 69800, 69801																															
69821	Slipfitter with wall/pole mount adapter for 150 W and 300 W models	Black	69799, 69800																															
69822	Slipfitter with wall/pole mount adapter for 450 W models	Black	69801																															
69829	Type II distribution lens for 150 W models	N/A	69796, 69799																															
69830	Type III distribution lens for 150 W models	N/A	69796, 69799																															
69831	Type IV distribution lens for 150 W models	N/A	69796, 69799																															
69832	Type V distribution lens for 150 W models	N/A	69796, 69799																															
69833	Type II distribution lens for 300 W models	N/A	69797, 69800																															
69834	Type III distribution lens for 300 W models	N/A	69797, 69800																															
69835	Type IV distribution lens for 300 W models	N/A </tr <tr> <td>69836</td> <td>Type V distribution lens for 300 W models</td> <td>N/A</td> <td>69797, 69800</td> </tr> <tr> <td>69837</td> <td>Type II distribution lens for 450 W models</td> <td>N/A</td> <td>69798, 69801</td> </tr> <tr> <td>69838</td> <td>Type III distribution lens for 450 W models</td> <td>N/A</td> <td>69798, 69801</td> </tr> <tr> <td>69839</td> <td>Type IV distribution lens for 450 W models</td> <td>N/A</td> <td>69798, 69801</td> </tr> <tr> <td>69840</td> <td>Type V distribution lens for 450 W models</td> <td>N/A</td> <td>69798, 69801</td> </tr> <tr> <td>69640<sup>1</sup></td> <td>External PIR sensor kit OSI-EFS07-AUX</td> <td>N/A</td> <td>All configurations</td> </tr> <tr> <td>69444<sup>1</sup></td> <td>External High Frequency sensor kit EFS06R</td> <td>N/A</td> <td>All configurations</td> </tr> <tr> <td>69651</td> <td>Bluetooth Mesh PIR sensor OSI-PIR106</td> <td>N/A</td> <td>All configurations</td> </tr>	69836	Type V distribution lens for 300 W models	N/A	69797, 69800	69837	Type II distribution lens for 450 W models	N/A	69798, 69801	69838	Type III distribution lens for 450 W models	N/A	69798, 69801	69839	Type IV distribution lens for 450 W models	N/A	69798, 69801	69840	Type V distribution lens for 450 W models	N/A	69798, 69801	69640 <sup>1</sup>	External PIR sensor kit OSI-EFS07-AUX	N/A	All configurations	69444 <sup>1</sup>	External High Frequency sensor kit EFS06R	N/A	All configurations	69651	Bluetooth Mesh PIR sensor OSI-PIR106	N/A	All configurations
69836	Type V distribution lens for 300 W models	N/A	69797, 69800																															
69837	Type II distribution lens for 450 W models	N/A	69798, 69801																															
69838	Type III distribution lens for 450 W models	N/A	69798, 69801																															
69839	Type IV distribution lens for 450 W models	N/A	69798, 69801																															
69840	Type V distribution lens for 450 W models	N/A	69798, 69801																															
69640 <sup>1</sup>	External PIR sensor kit OSI-EFS07-AUX	N/A	All configurations																															
69444 <sup>1</sup>	External High Frequency sensor kit EFS06R	N/A	All configurations																															
69651	Bluetooth Mesh PIR sensor OSI-PIR106	N/A	All configurations																															

<sup>1</sup> To change factory setting, purchase remote 69080 (sold separately)



Data is based upon tests performed in a controlled environment. Actual performance can vary depending on operating conditions. All products are subject to change or may be discontinued any time without notice. Please contact your Stanpro customer service representative to confirm inventory levels at time of order.

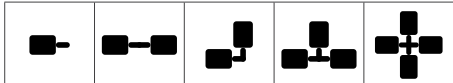
**COMPATIBLE DIMMERS<sup>1</sup>**

Brand	Model
Lutron	NTSTV-DV, NFTV, DDTV,WH
Leviton	DS710, IP710
Legrand	H4FBL3PW

**Dimming range:** 0%-100%

<sup>1</sup> This table shows dimmers that have been tested and have demonstrated proper operation under normal conditions. Each installation being unique, various factors such as load, common neutrals or other electrical products on the circuit can, in certain instances, cause variance in system performance. Read and comply to the dimmer installation instructions. Consult dimming system manufacturer for additional support in operation. Some dimmers may require more than one product for stable operation. Stanpro recommends to use dimmers designed to work with LED products. Older dimmers designed for incandescent products may cause erratic operation.

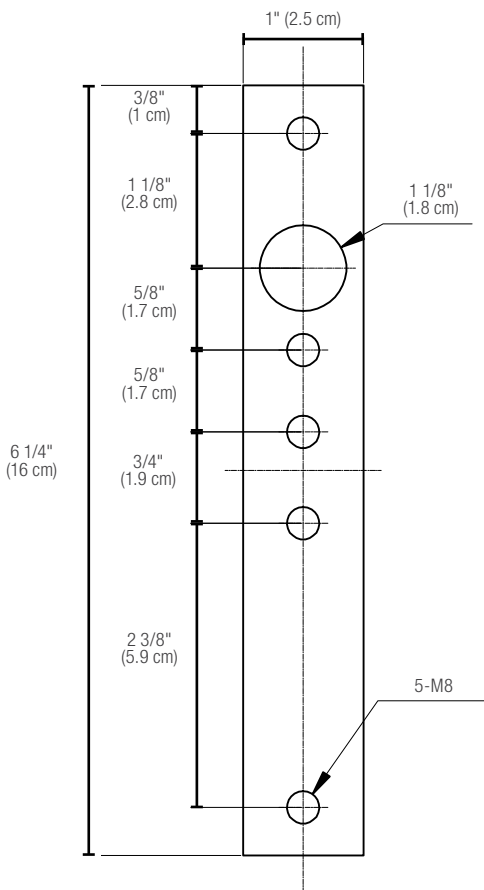
**EPA**

Mounting type	Configuration					
		Single	2 @ 180°	2 @ 90°	3 @ 90°	4 @ 90°
Slipfitter <sup>1</sup>	150 W	0.48	0.96	0.56	0.96	0.96
	300 W	0.50	1.00	0.69	1.00	1.00
	450 W	0.64	1.29	0.84	1.29	1.29
Square/Round Pole arm	150 W	0.54	1.09	0.69	1.09	1.09
	300 W	0.61	1.22	0.82	1.22	1.22
	450 W	0.74	1.49	0.89	1.49	1.49

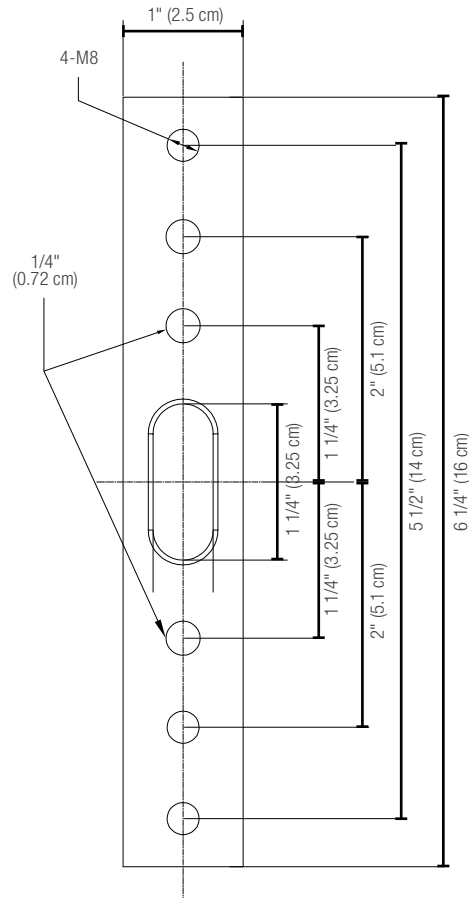
<sup>1</sup>Based on 60° tilt.

**DRILLING PATTERNS**

**Straight arm for square/round pole (69811, 69820)**



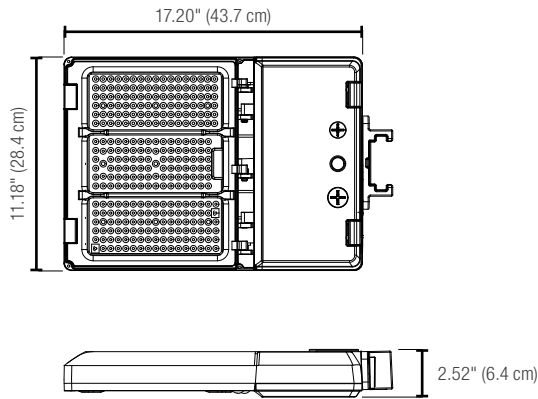
**Slipfitter and wall/pole mount adapter (69812, 69813, 69821, 69822)**



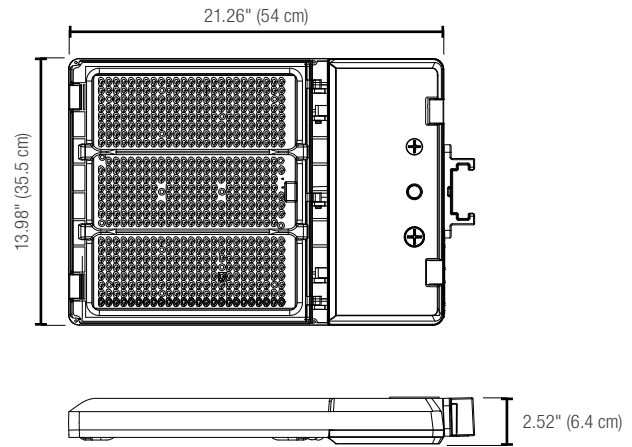
Data is based upon tests performed in a controlled environment. Actual performance can vary depending on operating conditions. All products are subject to change or may be discontinued any time without notice. Please contact your Stanpro customer service representative to confirm inventory levels at time of order.

**DIMENSIONS AND WEIGHTS**

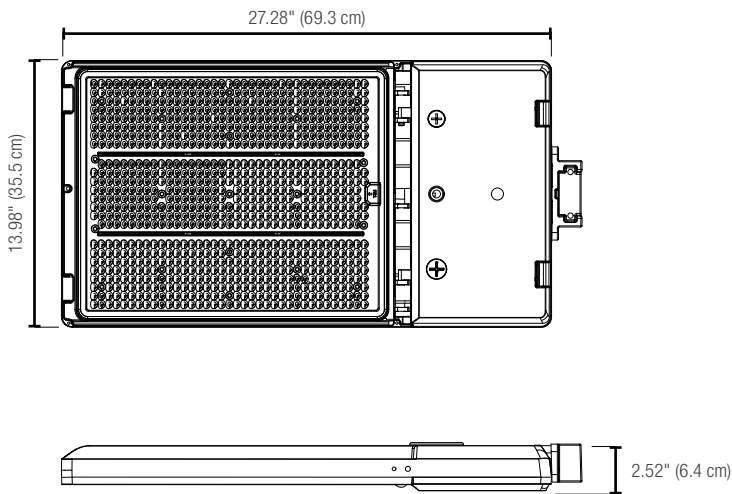
**150 W**



**300 W**



**450 W**



	150 W	300 W	450 W
Net weight (lbs)	9.17	11.63	15.88

Data is based upon tests performed in a controlled environment. Actual performance can vary depending on operating conditions. All products are subject to change or may be discontinued any time without notice. Please contact your Stanpro customer service representative to confirm inventory levels at time of order.

## OCCUPANCY SENSORS

### BI-LEVEL SENSORS

Detection - On at (Detection Area) % during (Hold Time) min., then (Stand-by Dim level) %

Part Number	Position	Volt (V)	Technology	Height (Ft)	Detection Area (%)	Initial Brightness (%)	Sensitivity (%)	Hold Time (Min)	Stand-By Dim Level (%)	Stand-By Period (Min)	Remote <sup>1</sup>	Location (°C)
69444	External	120-347 (12 V DC)	High Frequency	40 (max)	100	50, 75, 100	0 (Off), 50 (Low), 100 (High)	30s, 5min, 15min, 30min	0, 10, 30, 50	infinite	69080	Dry and Wet, -30 to +40
69640	External	120-347 (12 V DC)	PIR	20-40	100	50, 75, 100	0 (Off), 50 (Low), 100 (High)	30s, 5min, 15min, 30min	0, 10, 30, 50	Infinite	69080	Dry and Damp, -30 to +40
69651	External	120-347 (12 V DC)	Bluetooth & PIR	40 (max)	100	See App Instructions	See App Instructions	See App Instructions	See App Instructions	See App Instructions	N/A	Dry and Damp, -30 to +40

Default settings: Brightness: 100%, hold time: 5min, stand-by dim: 50%, stand-by time: 30min, photocell: off, sensitivity: 100%

### TRI-LEVEL SENSORS

Detection - On at (Detection Area) % during (Hold Time) min., then (Stand-by Dim level) % during (Stand-by time) min, then OFF

Part Number	Position	Volt (V)	Technology	Height (Ft)	Detection Area (%)	Initial Brightness (%)	Sensitivity (%)	Hold Time (Min)	Stand-By Dim Level (%)	Stand-By Period (Min)	Remote <sup>1</sup>	Location (°C)
69640	External	120-347 (12 V DC)	PIR	20-40	100	50, 75, 100	0 (Off), 50 (Low), 100 (High)	30s, 5min, 15min, 30min	0, 10, 30, 50	Infinite	69080	Dry and Damp, -30 to +40
69651	External	120-347 (12 V DC)	Bluetooth & PIR	40 (max)	100	See App Instructions	See App Instructions	See App Instructions	See App Instructions	See App Instructions	N/A	Dry and Damp, -30 to +40

Default settings: Brightness: 100%, hold time: 5min, stand-by dim: 50%, stand-by time: 30min, photocell: off, sensitivity: 100%

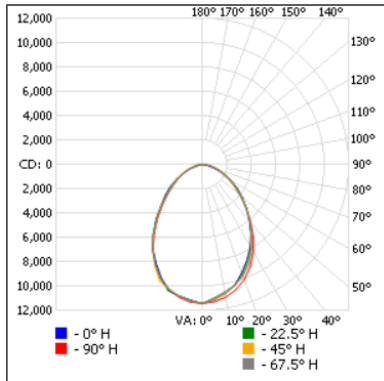
<sup>1</sup> To be ordered separately.

Data is based upon tests performed in a controlled environment. Actual performance can vary depending on operating conditions. All products are subject to change or may be discontinued any time without notice. Please contact your Stanpro customer service representative to confirm inventory levels at time of order.

**PHOTOMETRIC DATA<sup>1</sup>**

69796-69799 • FLLS-PS150W-Q3CXX • 150 W • 4 000 K • 22 137 lm

**Polar candela distribution**



**Zonal lumen summary**

Zone	Lumens	% Fixture
0-30	8 102.3	36.6
0-40	12 462.31	56.31
0-60	19 126.5	86.41
60-90	3 008.61	13.61
70-100	1 132.91	5.1
90-120	1.9	0
0-90	22 135.1	100
90-180	1.9	0
0-180	22 137.0	100

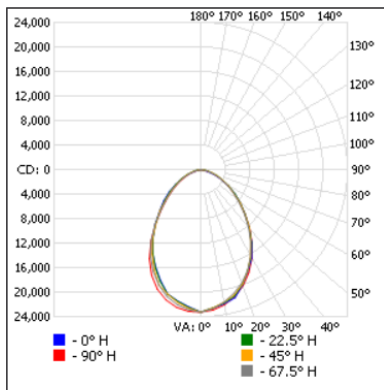
**Illuminance at a distance**

Center beam fc	Beam width	
	29.7'	29.5'
17'	39.6	29.7'
34'	9.90	59.4'
51'	4.40	89.2'
68'	2.47	118.9'
85'	1.58	148.6'
102'	1.10	178.3'

Vert. spread : 82.3°  
Horiz. spread : 82.0°

69797-69800 • FLLM-PS300W-Q3CXX • 300 W • 4 000 K • 43 965 lm

**Polar candela distribution**



**Zonal lumen summary**

Zone	Lumens	% Fixture
0-30	16 482.5	37.5
0-40	25 325.5	57.6
0-60	38 469.4	87.5
60-90	5 491.8	12.5
70-100	1 984.3	4.5
90-120	3.4	0
0-90	43 961.2	100
90-180	3.4	0
0-180	43 964.6	100

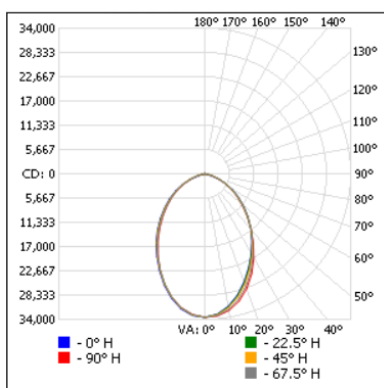
**Illuminance at a distance**

Center beam fc	Beam width	
	29.3'	29.3'
17'	80.4	29.3'
34'	20.1	58.6'
51'	8.94	87.9'
68'	5.03	117.2'
85'	3.22	146.6'
102'	2.23	175.9'

Vert. spread : 81.5°  
Horiz. spread : 81.6°

69798-69801 • FLLL-PS450W-Q3CXX • 450 W • 4 000 K • 62 645 lm

**Polar candela distribution**



**Zonal lumen summary**

Zone	Lumens	% Fixture
0-30	22 968.7	36.7
0-40	35 135.6	56.1
0-60	54 572.0	87.1
60-90	7 875.2	12.6
70-100	2 556.7	4.1
90-120	35.3	0.1
0-90	62 447.2	99.7
90-180	197.7	0.3
0-180	62 644.9	100

**Illuminance at a distance**

Center beam fc	Beam width	
	28.8'	28.1'
17'	116	28.8'
34'	29.0	57.7'
51'	12.9	86.5'
68'	7.24	115.3'
85'	4.64	144.1'
102'	3.22	173.0'

Vert. spread : 80.6°  
Horiz. spread : 79.2°

<sup>1</sup> Complete IES files available on our website.

Data is based upon tests performed in a controlled environment. Actual performance can vary depending on operating conditions. All products are subject to change or may be discontinued any time without notice. Please contact your Stanpro customer service representative to confirm inventory levels at time of order.