

SPECIFICATIONS

The Opticom Fiber Rack Mount Enclosures shall house, organize, manage, and protect fiber optic cable, terminations, cassettes, splices, connectors, and patch cords. Enclosures shall accommodate all Panduit pre-terminated MPO cassettes, fiber adapter panels (FAP), associated trunk cables, connectors, and patch cords, with integral cable management and bend radius control for transition to cable managers. Constructed out of steel material, the enclosures provide full front access with a pull-out drawer. A front door and rear cover enable cabling, connector access, and installation with easy open access in the front, which simplifies moves, adds, and changes of fiber patch cords without moving the drawer. Multiple knockouts at the rear allow for a variety of trunk cable entry points.



KEY FEATURES & BENEFITS

Works with all Panduit Opticom Fiber Optic Cassettes, Fiber Adapter Panels (FAPs) and HD Flex Cassettes:	Provides versatility and flexibility with a fully modular solution for a variety of fiber optic patching, terminating, and splicing applications
Adjustable mounting flange:	Enables adjustment of installation depth within a 19" rack or cabinet
Removable rear cover:	Removable rear cover for access to trunk/interconnect cables
Slide-out front drawer:	Improves front access to all patch cords, connectors and rear access to terminations, slack storage and trunk cable/interconnect cables
Integral cable management:	Ensures proper cable routing, bend radius control, and rear slack storage for all patch cords, interconnect cables, and trunk cables
Fiber optic splice module:	Can fusion splice up to 96 fibers per RU in a single enclosure with one-to-one splice-to-patching ratio
TIA-606-A compatible labeling:	Standards-based, mechanically printed labeling of fiber connectivity, patchfields, and enclosures enables clear and accurate labeling for easy moves, adds and changes

GENERAL SPECIFICATIONS

Access:	Front
Color:	Black or White
Unloaded:	Unloaded
Mounting:	19" wide EIA-310 racks with integral mounting flange
Unit:	1 RU, 2 RU, 4 RU

MATERIAL SPECIFICATIONS

Finish:	Powder coated
Material Type:	Steel
Accessories:	Mounting hardware and accessory kit with labels included

ENVIRONMENTAL SPECIFICATIONS

Environment:	Indoor
Standards:	EIA-310-E, RoHS

SPLICE MODULES AND HOLDERS

Splice module (fusion):	FOSMF
Splice module (mechanical):	FOSMM
Splice module holder:	FOSMH1U
HD Flex Bracket:	FLEX-OPTI-1RU

Opticom® Fiber Rack Mount Enclosures

TOOLS AND ACCESSORIES

Panduit connector removal tool:	PCRT1
Fiber slack spool 1 RU:	FMS1

DIMENSIONS

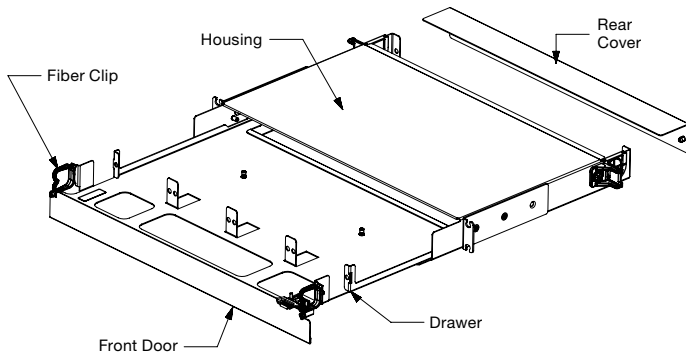
	FRE1UBL	FRE2UBL	FRE4UBL
	1 RU, up to 4 FAP, 96 fibers	2 RU, up to 8 FAP, 192 fibers	4 RU, up to 16 FAP, 384 fibers
Height (in./mm)	1.72 (44)	3.47 (88)	6.97 (177)
Width (in./mm)	19.0 (482)	19.0 (482)	19.0 (482)
Depth (in./mm)	15.62 (397)	15.62 (397)	15.62 (397)

Note: For part number in white, replace BL with WH.

ENGINEERING DRAWING

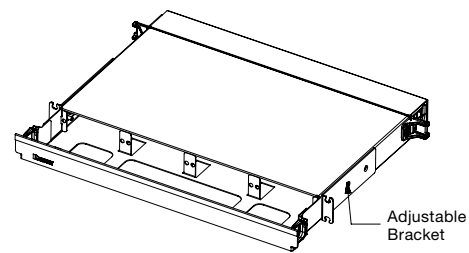
Opticom Fiber Rack Mount Enclosure Part Detail

Enclosure Open View

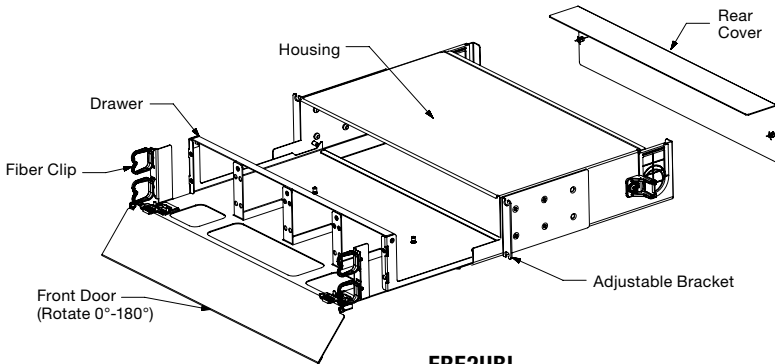


FRE1UBL

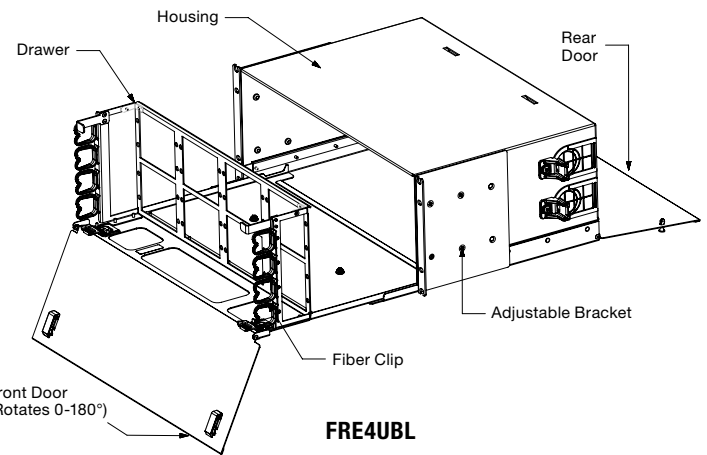
Enclosure with Rear Cover View



Enclosure Open View



FRE2UBL



FRE4UBL

WORLDWIDE SUBSIDIARIES AND SALES OFFICES

PANDUIT US/CANADA
Phone: 800.777.3300

PANDUIT EUROPE LTD.
London, UK
Phone: 44.20.8601.7200

PANDUIT SINGAPORE PTE. LTD.
Republic of Singapore
Phone: 65.6305.7575

PANDUIT JAPAN
Tokyo, Japan
Phone: 81.3.6863.6000

PANDUIT LATIN AMERICA
Guadalajara, Mexico
Phone: 52.33.3777.6000

PANDUIT AUSTRALIA PTY. LTD.
Victoria, Australia
Phone: 61.3.9794.9020

For a copy of Panduit product warranties, log on to www.panduit.com/warranty

For more information

Visit us at www.panduit.com
Contact Customer Service by email: cs@panduit.com
or by phone: 800.777.3300

PANDUIT®

© 2024 Panduit Corp.
ALL RIGHTS RESERVED.
RKSP210-WW-ENG
5/2024