



# LED PAR30 S/L

## 8.5PAR30S/LED/940/F40/DIM/GULW/T20 6/1FB

Philips LED spots with a single optic beam, provide a clean beam that's free from shadows with beam angles from 15 and 40 degrees to suit every general lighting application.

### Product data

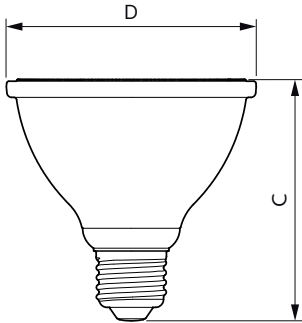
| General Information                   |                                   | Starting Time (Nom)             |                                    |
|---------------------------------------|-----------------------------------|---------------------------------|------------------------------------|
| Cap-Base                              | E26 [Single Contact Medium Screw] | Warm-up time to 60% light       | 0.5 s                              |
| Nominal lifetime                      | 25,000 hour(s)                    | Power Factor (Fraction)         | 0.9                                |
| Switching Cycle                       | 50,000                            | Voltage (Nom)                   | 120 V                              |
| Lighting Technology                   | LED                               | <b>Temperature</b>              |                                    |
| <b>Light Technical</b>                |                                   | T-Case Maximum (Nom)            | 158 °F                             |
| Color Code                            | 940 [CCT of 4000K]                | <b>Controls and Dimming</b>     |                                    |
| Beam Angle (Nom)                      | 40 degree(s)                      | Dimmable                        | Only with specific dimmers         |
| Luminous Flux                         | 850 lm                            | <b>Mechanical and Housing</b>   |                                    |
| Luminous Intensity (Nom)              | 1,600 cd                          | Bulb Finish                     | Clear                              |
| Color Designation                     | Cool White (CW)                   | Bulb Material                   | Glass                              |
| Luminous Efficacy (rated) (Nom)       | 100.00 lm/W                       | Bulb Shape                      | PAR30S                             |
| Correlated Color Temperature (Nom)    | 4000 K                            | <b>Approval and Application</b> |                                    |
| Color Consistency                     | <4                                | Suitable For Accent Lighting    | Yes                                |
| Color rendering index (CRI)           | 90                                | Energy Certifications           | Energy Star                        |
| LLMF At End Of Nominal Lifetime (Nom) | 70 %                              | EU RoHS compliant               | Yes                                |
| <b>Operating and Electrical</b>       |                                   | <b>Product Data</b>             |                                    |
| Line Frequency                        | 50 to 60 Hz                       | Order product name              | 8.5PAR30S/LED/940/F40/DIM/GULW/T20 |
| Input Frequency                       | 50 to 60 Hz                       |                                 | 6/1FB                              |
| Power Consumption                     | 8.5 W                             |                                 |                                    |
| Lamp Current (Nom)                    | 80 mA                             |                                 |                                    |
| Wattage Equivalent                    | 75 W                              |                                 |                                    |

# LED PAR30 S/L

|                               |  |
|-------------------------------|--|
| Full product name             | 8.5PAR30S/LED/940/F40/DIM/GULW/T20 6/1FB |
| Order code                    | 568055                                   |
| Material Nr. (12NC)           | 929003028204                             |
| Numerator - Quantity Per Pack | 1  |
| Net Weight (Piece)            | 0.485 lb                                 |

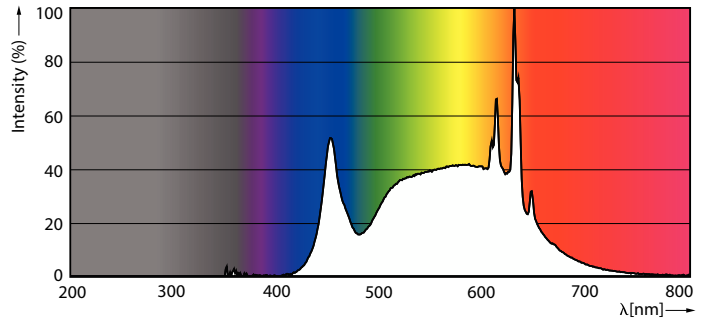
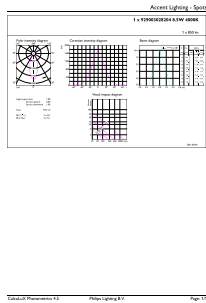
|                                 |                |
|---------------------------------|----------------|
| EAN/UPC - Product/Case          | 046677568054   |
| Numerator - Packs per outer box | 6              |
| EAN/UPC - Case                  | 50046677568059 |

## Dimensional drawing



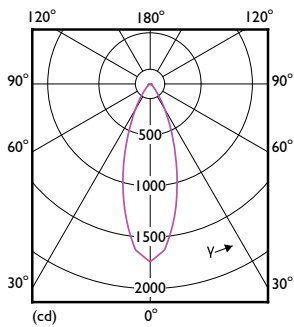
| Product                                  | D          | C           |
|--|------------|-------------|
| 8.5PAR30S/LED/940/F40/DIM/GULW/T20 6/1FB | 3-3/4 inch | 3-9/16 inch |

## Photometric data



Accent Lighting Spots - 8.5PAR30S/LED/940/F40/DIM/GULW/T20 6/1FB

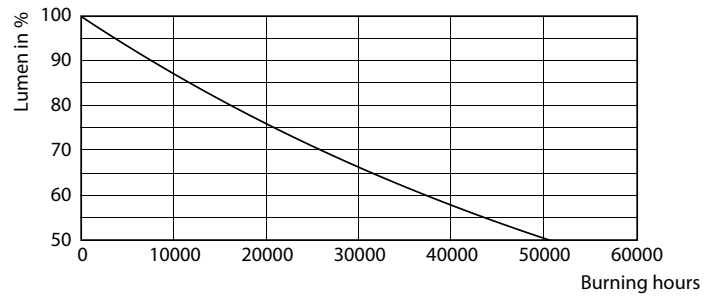
Spectral Power Distribution Colour - 8.5PAR30S/LED/940/F40/DIM/GULW/T20 6/1FB



Light Distribution Diagram - 8.5PAR30S/LED/940/F40/DIM/GULW/T20 6/1FB

# LED PAR30 S/L

## Lifetime



Life Expectancy Diagram

Lumen Maintenance Diagram - 8.5PAR30S/LED/940/F40/DIM/GULW/T20  
6/1FB

