

## Individual Spec Sheet

# FLM GEN. 2 CHOICE

## LED FLOOD LIGHT

### 3 CCT AND 2 Power Selectable

#### ORDERING INFORMATION

**Order code:** 69925  
**Model number:** FLM-PS25B-Q-3C-BK/CHOICE  
**UPC:** 069549031449  
**Case quantity:** 10  
**DLC unique ID:** S-2B5GBF

#### PHYSICAL DATA

**Lens material:** Tempered glass  
**Finish:** Black  
**Housing material:** Die cast aluminum  
**Mounting:** Knuckle mount installed and includes a yoke and a wall mount plate

#### PERFORMANCE DATA

**Watts (W):** 15/25  
**Volts (V AC):** 120-347  
**Color temperature (K)<sup>1</sup>:** 3 000/4 000/5 000  
**Lumen output (lm)<sup>2</sup>:** 3 396  
**Efficacy (lm/W):** 136  
**CRI:** 80+  
**Life L70 (h)<sup>3</sup>:** 50 000  
**Tested LM-80 (h)<sup>3</sup>:** 9 000  
**Photocell included:** No  
**Dimming:** Yes  
**Power factor:** 0.90  
**THD (%):** 25  
**Surge protection (kV):** 2.5  
**Operating temp. range:** -40 °C to 50 °C (-40 °F to 122 °F)

<sup>1</sup> Typical color temperature range: +/- 5 %.

<sup>2</sup> Lumen values are derived from photometric testing. Initial lumens range: +/- 10 %.

<sup>3</sup> Life hours are derived from IESNA LM-08 testing report and projected per IESNA TM-21 extrapolations.

#### LUMEN SPECIFICATION TABLE

Watts	3 000 K			4 000 K			5 000 K		
	Lumen output (lm)	Efficacy (lm/W)	LED Current (mA)	Lumen output (lm)	Efficacy (lm/W)	LED Current (mA)	Lumen output (lm)	Efficacy (lm/W)	LED Current (mA)
15	1 964	131	55	2 126	142	55	2 114	141	55
25	2 910	116	92	3 396	136	92	3 274	131	92

#### DEFAULT PROGRAMMING

25 W / 4 000 K

#### COMPATIBLE DIMMERS<sup>1</sup>

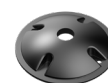
Brand	Model
LEVITON	S710, DD710, AWSMT-7DW
LEGRAND	RH4FBL3PW, WS4FBL3P
LUTRON	NFTV, NTSTV, DVTV

Dimming range: 0%-100%

NOTE: The above table shows dimmers that have been tested and have demonstrated proper operation under normal conditions. Each installation being unique, various factors such as load, common neutrals or other electrical products on the circuit can, in certain instances, cause variance in system performance. Read and comply to the dimmer installation instructions. Consult dimming system manufacturer for additional support in operation. Stanpro recommends to use dimmers designed to work with LED products. Older dimmers designed for incandescent products may cause erratic operation. Some dimmers may require more than one product for stable operation. The maximum number of products is determined by the dimmer wattage rating with LEDs. Be careful, these dimmers have different ratings depending on the product type. Again, refer to the dimmer installation instructions.



#### INCLUDED IN THE BOX



Wall mount plate



Yoke mount



3 000/4 000/5 000 K



power selectable



warranty



quick ship



LED fixture



dimmable fixture



wet location



ICES 005



IK07



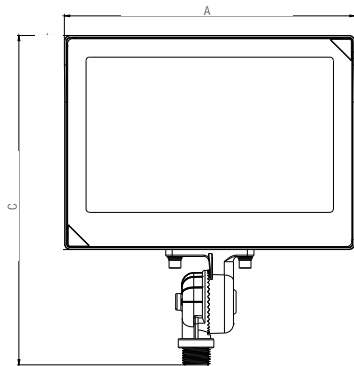
CERTIFIED



PREMIUM

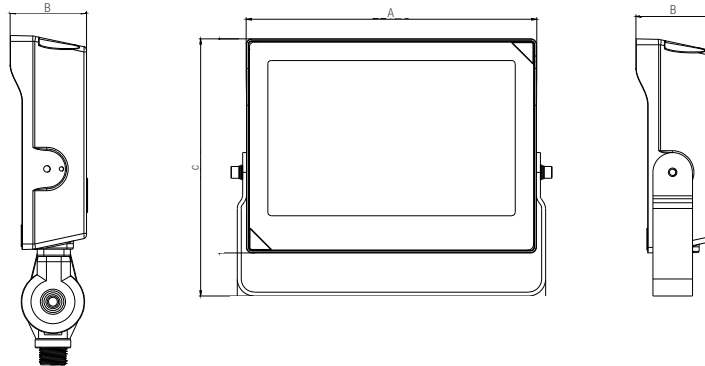
**DIMENSIONS AND WEIGHTS**

**Knuckle Mount**



	25W
A in. (cm)	5.82 (14.8)
B in. (cm)	2 (5.1)
C in. (cm)	7.67 (19.5)
Net weight (lbs)	2.42

**Yoke Mount**

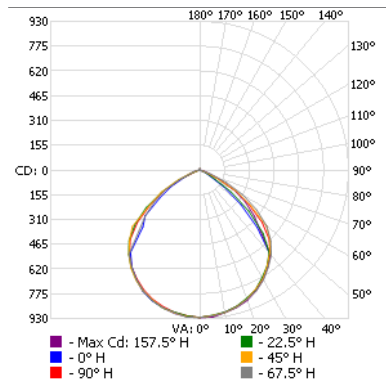


	25W
A in. (cm)	6.18 (15.7)
B in. (cm)	2 (5.1)
C in. (cm)	5.27 (13.4)
Net weight (lbs)	2.11

**PHOTOMETRIC DATA<sup>1</sup>**

**69925 FLM-PS25B-Q-3C-BK/XX • 15W • 4 000K • 2 126 lm**

**Polar candela distribution**



**Zonal lumen summary**

Zone	Lumens	% Luminaire
0-30	720.0	33.9
0-40	1 182.5	55.6
0-60	1 951.6	91.8
60-90	154.8	7.3
70-100	27.1	1.3
90-120	4.3	0.2
0-90	2 106.4	99.1
90-180	18.7	0.9
0-180	2 125.1	100

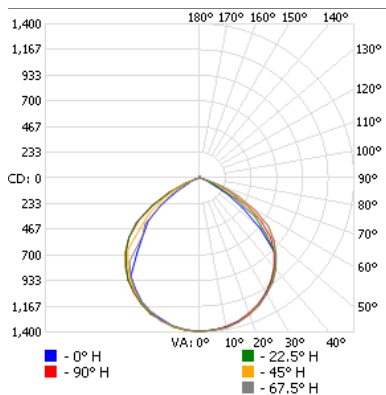
**Illuminance at a distance**

Center beam fc		Beam width	
17.0'	3.19	37.1'	43.1'
34.0'	0.80	74.2'	86.3'
51.0'	0.35	111.2'	129.4'
68.0'	0.20	148.3'	172.6'
85.0'	0.13	185.4'	215.7'
102.0'	0.09	222.5'	258.9'

■ Vert. spread: 95.0°  
 ■ Horiz. spread: 105.3°

**69925 FLM-PS25B-Q-3C-BK/XX • 25W • 4 000K • 3 396 lm**

**Polar candela distribution**



**Zonal lumen summary**

Zone	Lumens	% Luminaire
0-30	1 091.9	32.2
0-40	1 794.2	52.8
0-60	3 041.8	89.6
60-90	323.1	9.5
70-100	66.3	2
90-120	7.8	0.2
0-90	3 364.9	99.1
90-180	31.0	0.9
0-180	3 395.9	100

**Illuminance at a distance**

Center beam fc		Beam width	
17.0'	4.82	38.3'	47.6'
34.0'	1.21	76.5'	95.1'
51.0'	0.54	114.8'	142.7'
68.0'	0.30	153.1'	190.3'
85.0'	0.19	191.3'	237.8'
102.0'	0.13	229.6'	285.4'

■ Vert. spread: 96.8°  
 ■ Horiz. spread: 108.9°

<sup>1</sup> Complete IES files available on our website.

Data is based upon tests performed in a controlled environment. Actual performance can vary depending on operating conditions. All products are subject to change or may be discontinued any time without notice. Please contact your Stanpro customer service representative to confirm inventory levels at time of order.