

Individual Spec Sheet

FLM GEN. 2 CHOICE

LED FLOOD LIGHT

3 CCT AND 2 Power Selectable

ORDERING INFORMATION

Order code: 69926
Model number: FLM-PS60B-Q-3C-BK/CHOICE
UPC: 069549031456
Case quantity: 10
DLC unique ID: S-0XLZDK

PHYSICAL DATA

Lens material: Tempered glass
Finish: Black
Housing material: Die cast aluminum
Mounting: Knuckle mount installed and includes a yoke and a wall mount plate

PERFORMANCE DATA

Watts (W): 35/60
Volts (V AC): 120-347
Color temperature (K)¹: 3 000/4 000/5 000
Lumen output (lm)²: 8 453
Efficacy (lm/W): 141
CRI: 80+
Life L70 (h)³: 50 000
Tested LM-80 (h)³: 9 000
Photocell included: Yes
Dimming: Yes
Power factor: 0.90
THD (%): 20
Surge protection (kV): 2.5
Operating temp. range: -40 °C to 50 °C (-40 °F to 122 °F)

¹ Typical color temperature range: +/- 5 %.

² Lumen values are derived from photometric testing. Initial lumens range: +/- 10 %.

³ Life hours are derived from IESNA LM80-08 testing report and projected per IESNA TM-21-11 extrapolations.

LUMEN SPECIFICATION TABLE

Watts (W)	3 000 K			4 000 K			5 000 K		
	Lumen output (lm)	Efficacy (lm/W)	LED Current (mA)	Lumen output (lm)	Efficacy (lm/W)	LED Current (mA)	Lumen output (lm)	Efficacy (lm/W)	LED Current (mA)
35	5 163	148	38	5 534	158	38	5 595	160	38
60	7 657	128	65	8 453	141	65	8 447	141	65

DEFAULT PROGRAMMING

60 W / 4 000 K

COMPATIBLE DIMMERS¹

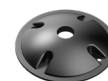
Brand	Model
LEVITON	S710, DD710, AWSMT-7DW
LEGRAND	RH4FBL3PW, WS4FBL3P
LUTRON	NFTV, NTSTV, DVTV

Dimming range: 0%-100%

NOTE: The above table shows dimmers that have been tested and have demonstrated proper operation under normal conditions. Each installation being unique, various factors such as load, common neutrals or other electrical products on the circuit can, in certain instances, cause variance in system performance. Read and comply to the dimmer installation instructions. Consult dimming system manufacturer for additional support in operation. Stanpro recommends to use dimmers designed to work with LED products. Older dimmers designed for incandescent products may cause erratic operation. Some dimmers may require more than one product for stable operation. The maximum number of products is determined by the dimmer wattage rating with LEDs. Be careful, these dimmers have different ratings depending on the product type. Again, refer to the dimmer installation instructions.



INCLUDED IN THE BOX



Wall mount plate



Yoke mount



3 000/4 000/5 000 K



power selectable



5 yrs warranty



quick ship



LED fixture



dimmable fixture



wet location



ICES 005

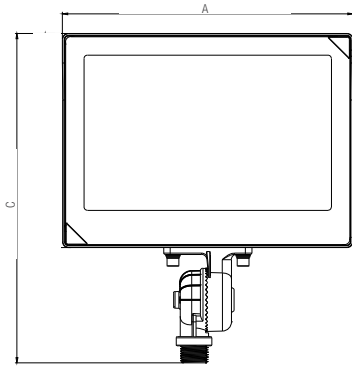


IK07



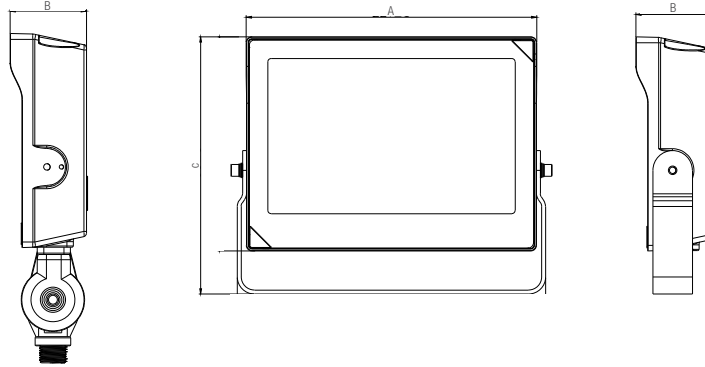
DIMENSIONS AND WEIGHTS

Knuckle Mount



	60W
A in. (cm)	8.7 (22.1)
B in. (cm)	2.28 (5.8)
C in. (cm)	9.84 (25)
Net weight (lbs)	3.43

Yoke Mount

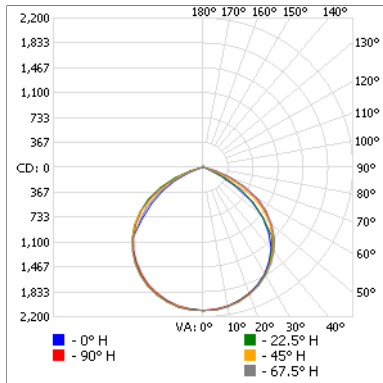


	60W
A in. (cm)	9.21 (23.4)
B in. (cm)	2.28 (5.8)
C in. (cm)	7.67 (19.5)
Net weight (lbs)	3.77

PHOTOMETRIC DATA¹

69926 FLM-PS60B-Q-3C-BK-XX • 35W • 4 000K • 5 534 lm

Polar candela distribution



Zonal lumen summary

Zone	Lumens	% Luminaire
0-30	1 658.8	30
0-40	2 734.1	49.4
0-60	4 771.9	86.3
60-90	712.6	12.9
70-100	172.1	3.1
90-120	11.9	0.2
0-90	5 484.5	99.2
90-180	46.6	0.8
0-180	5 531.1	100

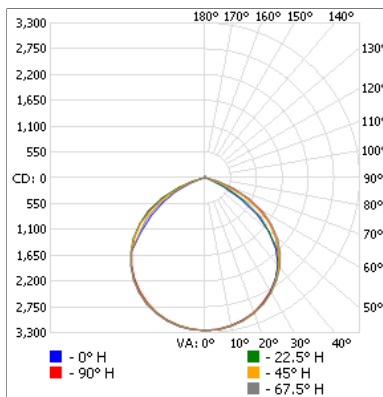
Illuminance at a distance

Center beam fc		Beam width	
17.0'	7.29	43.6'	51.0'
34.0'	1.82	87.2'	102.0'
51.0'	0.81	130.8'	153.0'
68.0'	0.46	174.5'	204.1'
85.0'	0.29	218.1'	255.1'
102.0'	0.20	261.7'	306.1'

■ Vert. spread: 104.1°
■ Horiz. spread: 112.6°

69926 FLM-PS60B-Q-3C-BK-XX • 60W • 4 000K • 8 453 lm

Polar candela distribution



Zonal lumen summary

Zone	Lumens	% Luminaire
0-30	2 553.4	30.2
0-40	4 205.8	49.8
0-60	7 321.8	86.6
60-90	1 059.9	12.5
70-100	246.6	2.9
90-120	18.1	0.2
0-90	8 381.7	99.2
90-180	71.4	0.8
0-180	8 453.1	100

Illuminance at a distance

Center beam fc		Beam width	
17.0'	11.2	43.4'	50.2'
34.0'	2.81	86.9'	100.3'
51.0'	1.25	130.3'	150.5'
68.0'	0.70	173.8'	200.7'
85.0'	0.45	217.2'	250.9'
102.0'	0.31	260.7'	301.0'

■ Vert. spread: 103.9°
■ Horiz. spread: 1111.8°

¹ Complete IES files available on our website.

Data is based upon tests performed in a controlled environment. Actual performance can vary depending on operating conditions. All products are subject to change or may be discontinued any time without notice. Please contact your Stanpro customer service representative to confirm inventory levels at time of order.