

*Individual Spec Sheet*

# FLM GEN. 2 CHOICE

## LED FLOOD LIGHT

3 CCT and 3 Power Selectable

Integrated Photocell

### ORDERING INFORMATION

**Order code:** 69927  
**Model number:** FLM-PS100B-Q-3C-BK/CHOICE  
**UPC:** 069549031463  
**Case quantity:** 5  
**DLC unique ID:** S-LDP59Y

### PHYSICAL DATA

**Lens material:** Tempered glass  
**Finish:** Black  
**Housing material:** Die cast aluminum  
**Mounting:** Slipfitter installed and yoke included

### PERFORMANCE DATA

**Watts (W):** 60/80/100  
**Volts (V AC):** 120-347  
**Color temperature (K):<sup>1</sup>** 3 000/4 000/5 000  
**Lumen output (lm):<sup>2</sup>** 15 806  
**Efficacy (lm/W):** 158  
**CRI:** 80+  
**Life L70 (h):<sup>3</sup>** 50,000  
**Tested LM-80 (h):<sup>3</sup>** 9,000  
**Photocell included** Yes  
**Dimming:** Yes  
**Power factor:** 0.90  
**THD (%):** 20  
**Surge protection (kV):** 6  
**Operating temp. range:** -40 °C to 50 °C (-40 °F to 122 °F)

<sup>1</sup> Typical color temperature range: +/- 5 %.

<sup>2</sup> Lumen values are derived from photometric testing. Initial lumens range: +/- 10 %.

<sup>3</sup> Life hours are derived from IESNA LM80-08 testing report and projected per IESNA TM-21-11 extrapolations.

### LUMEN SPECIFICATION TABLE

Watts (W)	3 000 K			4 000 K			5 000 K		
	Lumen output (lm)	Efficacy (lm/W)	LED Current (mA)	Lumen output (lm)	Efficacy (lm/W)	LED Current (mA)	Lumen output (lm)	Efficacy (lm/W)	LED Current (mA)
60	9 738	162	35	10 188	170	35	10 185	170	35
80	12 515	156	46	13 435	168	46	13 214	165	46
100	14 774	148	58	15 806	158	58	15 162	152	58

#### DEFAULT PROGRAMMING

100 W / 4 000 K

#### COMPATIBLE DIMMERS<sup>1</sup>

Brand	Model
LEVITON	S710, DD710, AWSMT-7DW
LEGRAND	RH4FBL3PW, WS4FBL3P
LUTRON	NFTV, NTSTV, DVTV

Dimming range: 0%-100%

NOTE: The above table shows dimmers that have been tested and have demonstrated proper operation under normal conditions. Each installation being unique, various factors such as load, common neutrals or other electrical products on the circuit can, in certain instances, cause variance in system performance. Read and comply to the dimmer installation instructions. Consult dimming system manufacturer for additional support in operation. Stanpro recommends to use dimmers designed to work with LED products. Older dimmers designed for incandescent products may cause erratic operation. Some dimmers may require more than one product for stable operation. The maximum number of products is determined by the dimmer wattage rating with LEDs. Be careful, these dimmers have different ratings depending on the product type. Again, refer to the dimmer installation instructions.



INCLUDED IN THE BOX



Yoke mount



ICES 005

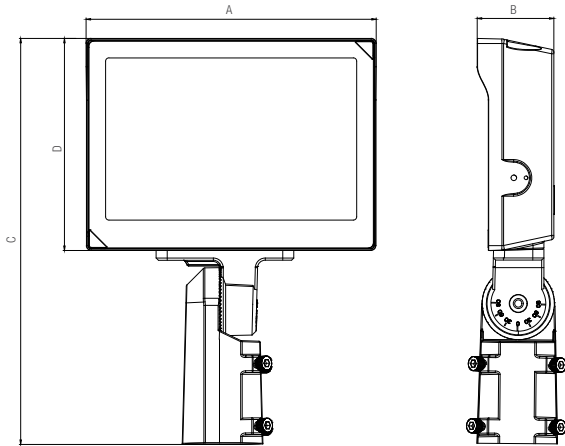


IK07



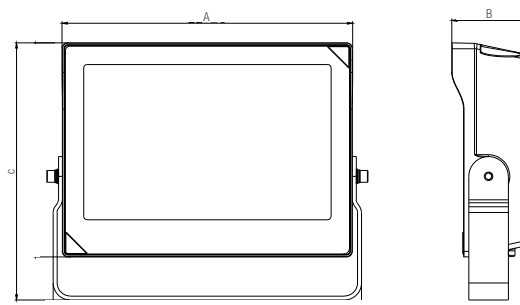
**DIMENSIONS AND WEIGHTS**

**Slipfitter**



	100W
A in. (cm)	10.3 (26.7)
B in. (cm)	2.8 (7.1)
C in. (cm)	14.6 (37.1)
D in. (cm)	7.72 (19.6)

**Yoke Mount**



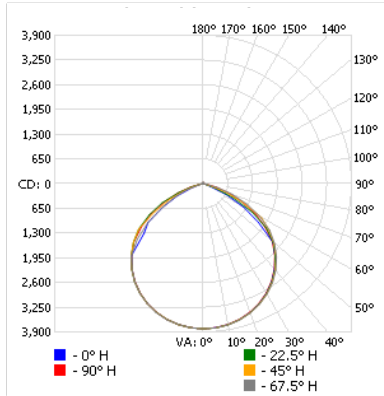
	100W
A in. (cm)	10.35 (26.75)
B in. (cm)	2.8 (7.1)
C in. (cm)	7.5 (19.15)
Net weight (lbs)	8.8

Data is based upon tests performed in a controlled environment. Actual performance can vary depending on operating conditions. All products are subject to change or may be discontinued any time without notice. Please contact your Stanpro customer service representative to confirm inventory levels at time of order.

PHOTOMETRIC DATA<sup>1</sup>

69927 FLM-PS100B-Q-3C-BK-XX • 60W • 4 000K • 10 188 lm

Polar candela distribution



Zonal lumen summary

Zone	Lumens	% Luminaire
0-30	3 009.1	29.6
0-40	4 976.4	48.9
0-60	8 788.0	86.3
60-90	1 311.6	12.9
70-100	310.4	3
90-120	21.0	0.2
0-90	10 099.7	99.2
90-180	83.0	0.8
0-180	10 182.6	100

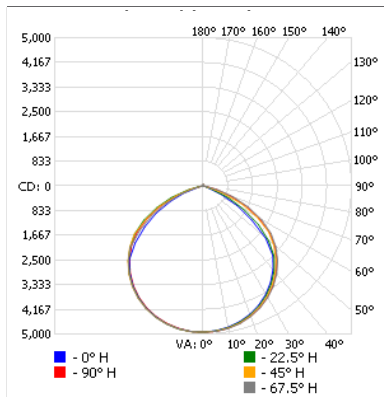
Illuminance at a distance

Center beam fc		Beam width	
17.0'	13.2	45.4'	50.5'
34.0'	3.30	90.8'	100.9'
51.0'	1.47	136.2'	151.4'
68.0'	0.82	181.6'	201.9'
85.0'	0.53	227.0'	252.3'
102.0'	0.37	272.4'	302.8'

Vert. spread: 106.3°  
Horiz. spread: 112.1°

69927 FLM-PS100B-Q-3C-BK-XX • 80W • 4 000K • 13 435 lm

Polar candela distribution



Zonal lumen summary

Zone	Lumens	% Luminaire
0-30	3 905.3	29.1
0-40	6 466.3	48.2
0-60	11 471.1	85.4
60-90	1 849.6	13.8
70-100	460.9	3.4
90-120	27.6	0.2
0-90	13 320.7	99.2
90-180	107.6	0.8
0-180	13 428.3	100

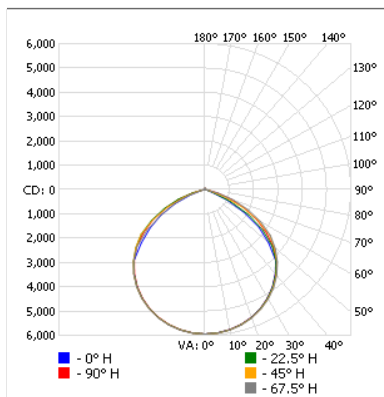
Illuminance at a distance

Center beam fc		Beam width	
17.0'	17.1	45.5'	53.0'
34.0'	4.27	90.9'	106.0'
51.0'	1.90	136.3'	159.0'
68.0'	1.07	181.7'	212.0'
85.0'	0.68	227.1'	265.0'
102.0'	0.47	272.6'	318.1'

Vert. spread: 106.4°  
Horiz. spread: 114.6°

69927 FLM-PS100B-Q-3C-BK-XX • 100W • 4 000K • 15 806 lm

Polar candela distribution



Zonal lumen summary

Zone	Lumens	% Luminaire
0-30	4 680.7	29.7
0-40	7 732.0	49.1
0-60	13 624.1	86.4
60-90	2 007.7	12.7
70-100	454.0	2.9
90-120	33.71	0.2
0-90	15 631.8	99.2
90-180	131.0	0.8
0-180	15 762.8	100

Illuminance at a distance

Center beam fc		Beam width	
17.0'	20.6	45.6'	50.2'
34.0'	5.14	91.2'	100.5'
51.0'	2.28	136.8'	150.7'
68.0'	1.28	182.4'	200.9'
85.0'	0.82	228.0'	251.1'
102.0'	0.57	273.6'	301.4'

Vert. spread: 106.6°  
Horiz. spread: 111.8°

<sup>1</sup> Complete IES files available on our website.

Data is based upon tests performed in a controlled environment. Actual performance can vary depending on operating conditions. All products are subject to change or may be discontinued any time without notice. Please contact your Stanpro customer service representative to confirm inventory levels at time of order.