

Project: _____

Type: _____

Drawn by: _____

Catalogue #: _____

Date: _____

Individual Spec Sheet

FLM GEN. 2 CHOICE

LED FLOOD LIGHT

3 CCT and 3 Power Selectable

Integrated Photocell

ORDERING INFORMATION

Order code: 69928
Model number: FLM-PS150B-Q-3C-BK/CHOICE
UPC: 069549031470
Case quantity: 5
DLC unique ID: S-HTYX2H

PHYSICAL DATA

Lens material: Tempered glass
Finish: Black
Housing material: Die cast aluminum
Mounting: Slipfitter installed and yoke included

PERFORMANCE DATA

Watts (W): 100/120/150
Volts (V AC): 120-347
Color temperature (K)¹: 3 000/4 000/5 000
Lumen output (lm)²: 23 258
Efficacy (lm/W): 155
CRI: 80+
Life L70 (h)³: 50,000
Tested LM-80 (h)³: 9,000
Photocell included: Yes
Dimming: Yes
Power factor: 0.90
THD (%): 20
Surge protection (kV): 6
Operating temp. range: -40 °C to 50 °C (-40 °F to 122 °F)

¹ Typical color temperature range: +/- 5 %.
² Lumen values are derived from photometric testing. Initial lumens range: +/- 10 %.
³ Life hours are derived from IESNA LM80-08 testing report and projected per IESNA TM-21-11 extrapolations.

LUMEN SPECIFICATION TABLE

Watts (W)	3 000 K			4 000 K			5 000 K		
	Lumen output (lm)	Efficacy (lm/W)	LED Current (mA)	Lumen output (lm)	Efficacy (lm/W)	LED Current (mA)	Lumen output (lm)	Efficacy (lm/W)	LED Current (mA)
100	15 659	157	22	16 766	168	22	16 313	163	22
120	17 681	147	27	19 183	160	27	18 630	155	27
150	21 047	140	34	23 258	155	34	21 884	146	34

DEFAULT PROGRAMMING
 150 W / 4 000 K

COMPATIBLE DIMMERS¹

Brand	Model
LEVITON	S710, DD710, AWSMT-7DW
LEGRAND	RH4FBL3PW, WS4FBL3P
LUTRON	NFTV, NTSTV, DVTV

Dimming range: 0%-100%

NOTE: The above table shows dimmers that have been tested and have demonstrated proper operation under normal conditions. Each installation being unique, various factors such as load, common neutrals or other electrical products on the circuit can, in certain instances, cause variance in system performance. Read and comply to the dimmer installation instructions. Consult dimming system manufacturer for additional support in operation. Stanpro recommends to use dimmers designed to work with LED products. Older dimmers designed for incandescent products may cause erratic operation. Some dimmers may require more than one product for stable operation. The maximum number of products is determined by the dimmer wattage rating with LEDs. Be careful, these dimmers have different ratings depending on the product type. Again, refer to the dimmer installation instructions.



INCLUDED IN THE BOX



Yoke mount



ICES 005

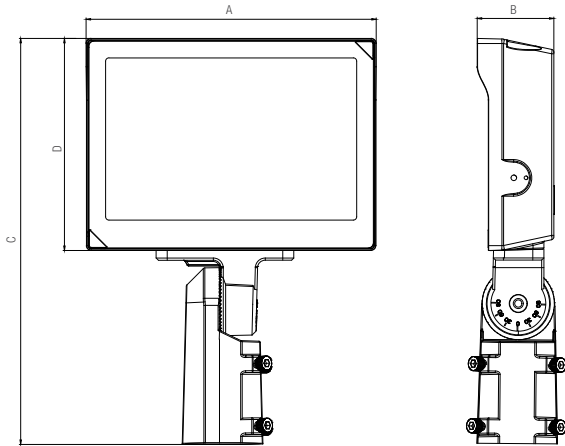


IK07



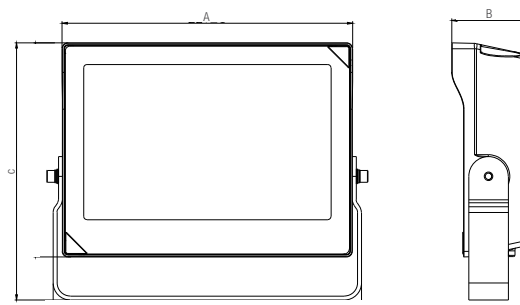
DIMENSIONS AND WEIGHTS

Slipfitter



	150W
A in. (cm)	10.3 (26.7)
B in. (cm)	2.8 (7.1)
C in. (cm)	14.6 (37.1)
D in. (cm)	7.72 (19.6)

Yoke Mount



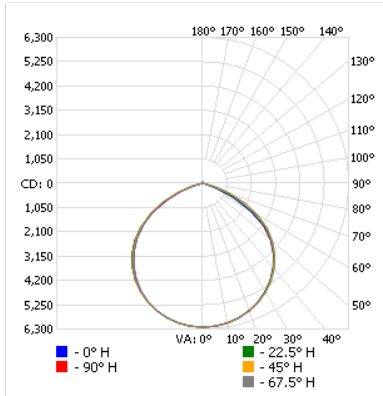
	150W
A in. (cm)	11.5 (29.15)
B in. (cm)	2.88 (7.33)
C in. (cm)	8.38 (21.15)
Net weight (lbs)	10.58

Data is based upon tests performed in a controlled environment. Actual performance can vary depending on operating conditions. All products are subject to change or may be discontinued any time without notice. Please contact your Stanpro customer service representative to confirm inventory levels at time of order.

PHOTOMETRIC DATA¹

69928 FLM-PS150B-Q-3C-BK-XX • 100W • 4 000K • 16 766 lm

Polar candela distribution



Zonal lumen summary

Zone	Lumens	% Luminaire
0-30	4 886.1	29.1
0-40	8 063.6	48.1
0-60	14 272.8	85.1
60-90	2 354.4	14
70-100	573.1	3.4
90-120	36.6	0.2
0-90	16 627.2	99.2
90-180	138.7	0.8
0-180	16 766.0	100

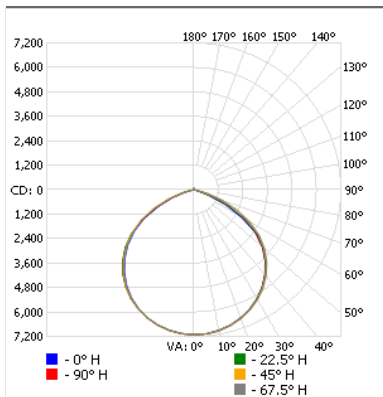
Illuminance at a distance

Center beam fc		Beam width	
17.0'	21.5	49.4'	49.8'
34.0'	5.38	98.8'	99.7'
51.0'	2.39	148.2'	149.5'
68.0'	1.34	197.6'	199.3'
85.0'	0.86	247.0'	249.2'
102.0'	0.60	296.4'	299.0'

Vert. spread: 110.9°
Horiz. spread: 111.4°

69928 FLM-PS150B-Q-3C-BK-XX • 120W • 4 000K • 19 183 lm

Polar candela distribution



Zonal lumen summary

Zone	Lumens	% Luminaire
0-30	5 591.4	29.1
0-40	9 227.7	48.1
0-60	16 333.4	85.1
60-90	2 691.0	14
70-100	653.7	3.4
90-120	42.0	0.2
0-90	19 024.4	99.2
90-180	158.9	0.8
0-180	19 183.3	100

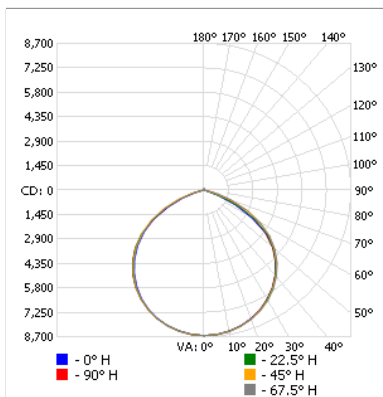
Illuminance at a distance

Center beam fc		Beam width	
17.0'	24.6	49.5'	49.7'
34.0'	6.15	98.9'	99.4'
51.0'	2.73	148.4'	149.1'
68.0'	1.54	197.8'	198.9'
85.0'	0.98	247.3'	248.6'
102.0'	0.68	296.8'	298.3'

Vert. spread: 111.0°
Horiz. spread: 111.3°

69928 FLM-PS150B-Q-3C-BK-XX • 150W • 4 000K • 23 258 lm

Polar candela distribution



Zonal lumen summary

Zone	Lumens	% Luminaire
0-30	6 780.7	29.2
0-40	11 190.5	48.1
0-60	19 807.7	85.2
60-90	3 257.5	14
70-100	790.4	3.4
90-120	50.9	0.2
0-90	23 065.1	99.2
90-180	192.8	0.8
0-180	23 257.9	100

Illuminance at a distance

Center beam fc		Beam width	
17.0'	29.8	49.5'	49.8'
34.0'	7.46	98.9'	99.6'
51.0'	3.32	148.4'	149.4'
68.0'	1.87	197.9'	199.2'
85.0'	1.19	247.3'	249.0'
102.0'	0.83	296.8'	298.8'

Vert. spread: 111.0°
Horiz. spread: 111.4°

¹ Complete IES files available on our website.

Data is based upon tests performed in a controlled environment. Actual performance can vary depending on operating conditions. All products are subject to change or may be discontinued any time without notice. Please contact your Stanpro customer service representative to confirm inventory levels at time of order.