



Optanium T8 Instant Start

OPTANIUM ELE BALLAST (2) F96T8 120-277V

Reliable and energy efficient Philips Advance's Centium commercial grade specifications, plus added benefits of lamp striation reduction technology.

Product data

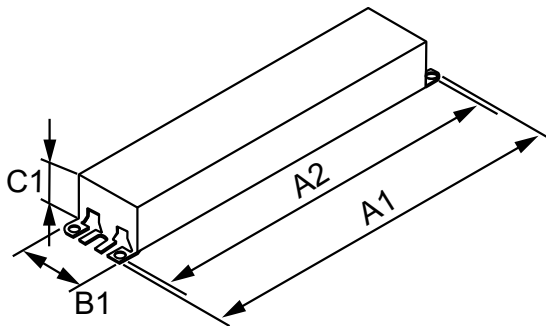
| General Information | | Wiring | |
|-------------------------------|------------------------|--|----------------|
| Lamp Type | F96T8 | Color Input Terminals | No terminals |
| Number of Lamps | 1/2 piece/unit | Color Output Terminals | No terminals |
| Ballast Type | Electronic Fluorescent | Wire Striplength | 0.50/0.375 mm |
| Base Model | IOP2P59N | Lamp Connection | Parallel |
| Suitable For Outdoor Use | Yes | Wire Length by Color | See data sheet |
| Automatic Restart | Yes | Wire Gauge (Nom) | 18AWG mm |
| | | Wire Type | Solid |
| Operating and Electrical | | Remote Wiring Configuration Allowed | Yes |
| Input Voltage | 120 to 277 V | Tandem Wiring Configuration Allowed | Yes |
| Input Frequency | 50 to 60 Hz | Through Wiring Configuration Allowed | Yes |
| Total Harmonic Distortion USA | 10 % | Max Ballast-Lamp Distance Remote Wiring | 20' |
| Ignition Method | Instant Start | Max Ballast-Lamp Distance Tandem Wiring | Any = 20' |
| Crestfactor (Nom) | 1.6 | Max Ballast-Lamp Distance Through Wiring | Any = 20' |
| Ignition Time (Nom) | 0.1 s | Connector Type | No connector |
| Ballast Factor (Nom) | 0.87 | | |
| Power Factor (Nom) | 0.98 | Temperature | |
| Input Current (Max) | 0.95 A | T-Case Maximum (Nom) | 70 °C |
| Input Current (Min) | 0.4 A | | |
| Input Power (Nom) | 113-111 W | Mechanical and Housing | |
| Rated Lamp Power | 59 W | Housing Material | Metal |
| | | Housing | N |

Optanium T8 Instant Start

| | |
|---------------------------------|--|
| Housing Dimensions | 9.5" x 1.3" x 1.0" |
| Approval and Application | |
| EMC Immunity Standard | FCC Non-Consumer |
| Approval Marks | CSA certificate UL certificate CEC Listing Circle E logo DOE RoHS Compliant |
| Hum And Noise Level | A |
| UL Recognized | No |
| Product Data | |
| Order product name | OPTANIUM ELE BALLAST (2) F96T8 120-277V |

| | |
|--|--------------|
| EAN/UPC - Product | 781087135624 |
| Order code | 503193 |
| Local order code | 503193 |
| Numerator - Quantity Per Pack | 1 |
| Numerator - Packs per outer box | 30 |
| Material Nr. (12NC) | 913701262102 |
| Net Weight (Piece) | 350.000 g |

Dimensional drawing



ELE BALLAST (2) F96T8 120-277V

| Product | A1 | A2 | B1 | C1 |
|---|--------|--------|--------|--------|
| OPTANIUM ELE BALLAST (2) F96T8 120-277V | 9.5 in | 8.9 in | 1.3 in | 1.0 in |

