



Xitanium LED Driver Outdoor Dimmable (US)

XITANIUM 150W 0.53A 280V 0-10V 347-480V

Xitanium Outdoor LED Drivers are available in wattages from 40W to 150W for hard-wire integration into outdoor luminaires for the most rugged applications. These drivers operate to specification under wide temperature and electrical ranges to ensure reliability. 1-10V dimming enables luminaires to be easily connected to a wide variety of sensors and control systems to facilitate dimming, thus maximizing energy savings.

Product data

General Information	
Lighting Technology	LED
Operating and Electrical	
Line Frequency	50 to 60 Hz
Input Frequency	50 to 60 Hz
Total Harmonic Distortion IEC (Max)	20 %
Power Consumption	167 W
Maximum Efficiency at Full Load	90 %
Output Current (Nom)	530 mA
Output Current Tolerance (Max)	5 %
Output Current Tolerance (Min)	-5 %
Input Current (Max)	500 mA
Output Power (Nom)	150 W

Wiring	
Output Wire Length	270.0 mm
Primary Fusing	Fused
Input Wire Gauge	18

Temperature	
T-Case Maximum (Max)	80 °C

Controls and Dimming	
Control Interface	0-10V
Dimming Range	100-10 %

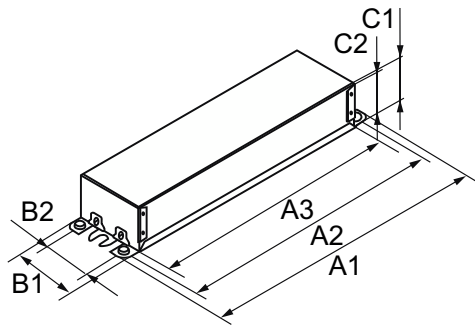
Approval and Application	
Overheating Protection	Protected
Short Circuit Protection	Self-limited
Over Power Protection	Protected

Xtitanium LED Driver Outdoor Dimmable (US)

Open Circuit Protection	Protected
EMI Standard	FCC 47 Part 15; Class A
Environmental Standard	UL Damp & Dry
Approval Marks	RoHS compliance UL certificate CSA certificate
Product Data	
Order product name	Xtitanium 150W 347-480V 0.53A 0-10V
Full product name	XITANIUM 150W 0.53A 280V 0-10V 347-480V
Local code description	XH150C053V280CNF1M

Order code	503763
Material Nr. (12NC)	929000724713
Local order code	503763
Numerator - Quantity Per Pack	1
EAN/UPC - Product/Case	781087137482
Numerator - Packs per outer box	10
EAN/UPC - Case	50781087137494

Dimensional drawing



Product	D1	B2	C1	C2	A1	A2	B1
Xtitanium 150W	4.8 mm	42.9	39.7	37.7	240.5	241.5	59.1
347-480V 0.53A		mm	mm	mm	mm	mm	mm
0-10V							

