



# LED MR16

## 7MR16/LED/830/F35/DIM 12V 10/1FB

Philips LED MR-16 lamps with single optic technology provide the look and color quality of traditional halogens while using a fraction of the energy. A perfect fit for spot lighting, they are compatible with most existing fixtures with MR16 GU5.3 holders and are designed as a retrofit replacement for halogen or incandescent spots.

### Product data

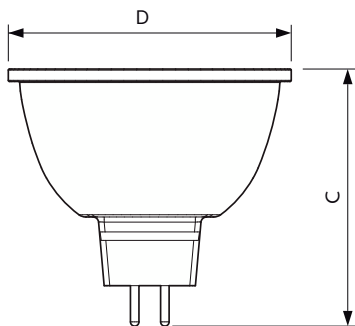
General Information		Lamp Current (Nom)	
Cap-Base	GU5.3		650 mA
Nominal lifetime	25,000 hour(s)	Wattage Equivalent	50 W
Switching Cycle	50,000	Starting Time (Nom)	0.5 s
Lighting Technology	LED	Warm-up time to 60% light	0.5 s
		Power Factor (Fraction)	0.7
		Voltage (Nom)	ac electronic 12 V
Light Technical		Temperature	
Color Code	830 [CCT of 3000K]	T-Case Maximum (Nom)	90 °C
Beam Angle (Nom)	35 degree(s)		
Luminous Flux	515 lm	Controls and Dimming	
Luminous Intensity (Nom)	1,350 cd	Dimmable	Only with specific dimmers
Color Designation	White (WH)		
Luminous Efficacy (rated) (Nom)	73.00 lm/W	Mechanical and Housing	
Correlated Color Temperature (Nom)	3000 K	Bulb Finish	Clear
Color Consistency	<4	Bulb Material	Aluminum
Color rendering index (CRI)	80	Bulb Shape	MR16
LLMF At End Of Nominal Lifetime (Nom)	70 %	UL Wet/ damp/ dry location	Damp location
Operating and Electrical		Approval and Application	
Line Frequency	- Hz	Suitable For Accent Lighting	Yes
Input Frequency	- Hz	Energy Certifications	Energy Star
Power Consumption	7 W		

# LED MR16

EU RoHS compliant	Yes
T20 compliant	No
<b>Application Conditions</b>	
can it be used in closed luminaires	Yes
<b>Product Data</b>	
Order product name	7MR16/LED/830/F35/DIM 12V 10/1FB
Full product name	7MR16/LED/830/F35/DIM 12V 10/1FB

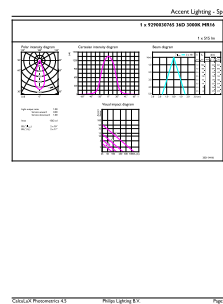
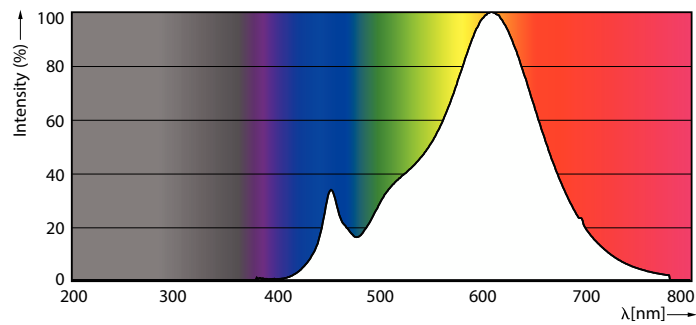
Order code	573899
Material Nr. (12NC)	929003076504
Numerator - Quantity Per Pack	1
Net Weight (Piece)	0.060 kg
EAN/UPC - Product/Case	046677573898
Numerator - Packs per outer box	10
EAN/UPC - Case	50046677573893

## Dimensional drawing



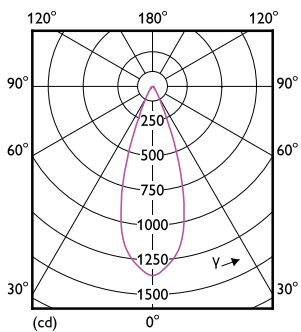
Product	D	C
7MR16/LED/830/F35/DIM 12V 10/1FB	50 mm	46.5 mm

## Photometric data



Spectral Power Distribution Colour - 7MR16/LED/830/F35/DIM 12V 10/1FB

Accent Lighting Spots - 7MR16/LED/830/F35/DIM 12V 10/1FB



Light Distribution Diagram - 7MR16/LED/830/F35/DIM 12V 10/1FB

# LED MR16

## Lifetime



Life Expectancy Diagram

Lumen Maintenance Diagram - 7MR16/LED/830/F35/DIM 12V 10/1FB

