



LED MR16

8MR16/LED/830/F35/DIM 12V 10/1FB

Philips LED MR-16 lamps with single optic technology provide the look and color quality of traditional halogens while using a fraction of the energy. A perfect fit for spot lighting, they are compatible with most existing fixtures with MR16 GU5.3 holders and are designed as a retrofit replacement for halogen or incandescent spots.

Product data

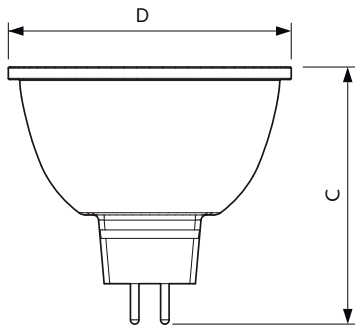
General Information		Lamp Current (Nom)	
Cap-Base	GU5.3		720 mA
Nominal lifetime	25,000 hour(s)	Wattage Equivalent	75 W
Switching Cycle	50,000	Starting Time (Nom)	0.5 s
Lighting Technology	LED	Warm-up time to 60% light	0.5 s
		Power Factor (Fraction)	0.7
		Voltage (Nom)	ac electronic 12 V
Light Technical		Temperature	
Color Code	830 [CCT of 3000K]	T-Case Maximum (Nom)	93 °C
Beam Angle (Nom)	35 degree(s)		
Luminous Flux	620 lm	Controls and Dimming	
Luminous Intensity (Nom)	1,700 cd	Dimmable	Only with specific dimmers
Luminous Efficacy (rated) (Nom)	77.00 lm/W		
Color Designation	White (WH)	Mechanical and Housing	
Correlated Color Temperature (Nom)	3000 K	Bulb Finish	Clear
Color Consistency	<4	Bulb Material	Aluminum
Color rendering index (CRI)	80	Bulb Shape	MR16
LLMF At End Of Nominal Lifetime (Nom)	70 %	UL Wet/ damp/ dry location	Damp location
Operating and Electrical		Approval and Application	
Line Frequency	- Hz	Suitable For Accent Lighting	Yes
Input Frequency	- Hz	Energy Certifications	Energy Star
Power Consumption	8 W		

LED MR16

EU RoHS compliant	Yes
T20 compliant	No
Application Conditions	
can it be used in closed luminaires	Yes
Product Data	
Order product name	8MR16/LED/830/F35/DIM 12V 10/1FB
Full product name	8MR16/LED/830/F35/DIM 12V 10/1FB

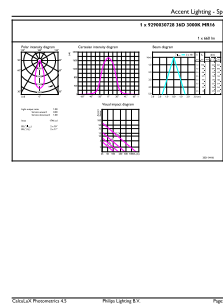
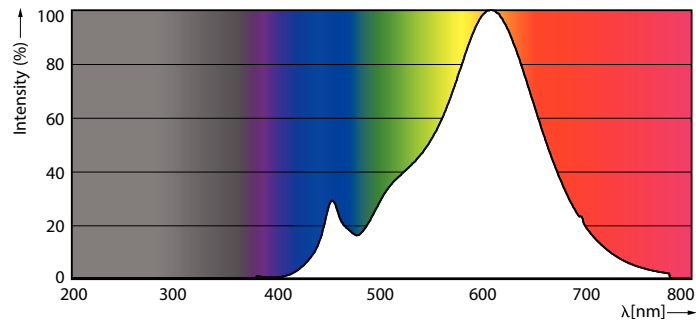
Order code	573949
Material Nr. (12NC)	929003072804
Numerator - Quantity Per Pack	1
Net Weight (Piece)	0.060 kg
EAN/UPC - Product/Case	046677573942
Numerator - Packs per outer box	10
EAN/UPC - Case	50046677573947

Dimensional drawing



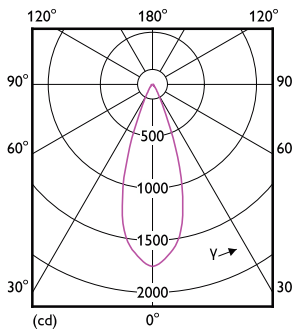
Product	D	C
8MR16/LED/830/F35/DIM 12V 10/1FB	50 mm	46.5 mm

Photometric data



Spectral Power Distribution Colour - 8MR16/LED/830/F35/DIM 12V 10/1FB

Accent Lighting Spots - 8MR16/LED/830/F35/DIM 12V 10/1FB



Light Distribution Diagram - 8MR16/LED/830/F35/DIM 12V 10/1FB

LED MR16

Lifetime



Life Expectancy Diagram

Lumen Maintenance Diagram - 8MR16/LED/830/F35/DIM 12V 10/1FB

