

# KEENE

by  Signify

## Floodlights

### SlimFlood dual select

SF15/35/60/100/150/205/300



The **SlimFlood dual select** offers energy saving LED technology along with field selectable color and wattage. Versatile and stylish with seven different sizes to choose from, provides application flexibility for ground, wall or pole mounting installations. Ideal for sign lighting, building facades, security lighting, and general purpose floodlighting applications.

Project: \_\_\_\_\_  
 Location: \_\_\_\_\_  
 Cat.No: \_\_\_\_\_  
 Type: \_\_\_\_\_  
 Lamps: \_\_\_\_\_ Qty: \_\_\_\_\_  
 Notes: \_\_\_\_\_

### Ordering guide

example: SF35-SCT-K-G2-10-PCB-BZ

Luminaire	CCT	Mounting	Generation	Voltage	Options	Finish
	<input type="text" value="SCT"/>		<input type="text" value="G2"/>	<input type="text" value="10"/>		<input type="text" value="BZ"/>
<b>SF15</b> SlimFlood S 15W <b>SF35</b> SlimFlood DS 15-25-35W <b>SF60</b> SlimFlood DS 15-35-60W	<b>SCT</b> CCT Selectable (3000K, 4000K, 5000K)	<b>K</b> Knuckle Mount <sup>1</sup> <b>Y</b> Yoke Mount <sup>1</sup> (SF15, SF35, and SF60 only)	<b>G2</b> Gen 2	<b>10</b> 120-347V	- None <sup>3</sup> (SF15 only)	<b>BZ</b> Bronze
<b>SF100</b> SlimFlood DS 60-80-100W <b>SF150</b> SlimFlood DS 100-120-150W		<b>S</b> Slipfitter Mount <sup>2</sup> <b>T</b> Trunnion Mount <sup>2</sup> (SF100, SF150, SF205, and SF300 only)			<b>PCB</b> Photocell <sup>4</sup> (SF35, SF60, SF100, SF150 only)	
<b>SF205</b> SlimFlood DS 120-150-205W <b>SF300</b> SlimFlood DS 205-255-300W					- Photocell Ready, Photocell sold separately as SFW205-300-PCB <sup>5</sup> (SF205 and SF300 only)	

- Knuckle & Yoke mount options standard for SF15, SF35 and SF60 only.
- Slipfitter & Trunnion mount options for SF100, SF150, SF205 and SF300 only.
- Photocell option not available for SF15.
- Photocell is included as standard for SF35, SF60, SF100, SF150 with an ON/OFF switch.
- Photocell option can be purchased as a separate accessory for SF205 & SF300 use code SF205-300-PCB.

### LED Wattage and Lumen Values

Ordering Guide	Color Temp. (K) <sup>1</sup>	Average System Wattage <sup>3</sup>	Lumen Output <sup>3,4</sup>	Efficacy (LPW)
<b>SF15</b>	4000	15W <sup>2</sup>	2175lm	145
<b>SF35</b>	4000	15/25/35W	2370/3800/5075lm	145
<b>SF60</b>	4000	15/35/60W	2370/5320/8700lm	145
<b>SF100</b>	4000	60/80/100W	9540/12320/14800lm	145
<b>SF150</b>	4000	100/120/150W	15800/18240/21750lm	145
<b>SF205</b>	4000	120/150/205W	18600/22500/29725lm	145
<b>SF300</b>	4000	205/255/300W	31775/38250/43500lm	145

- Color temperature factory setting is 4000K.
- Wattage/Lumen Output factory setting set to mid power option.
- SF15 is not wattage selectable.
- Wattage and lumen output may vary by +/-10% due to actual input voltage.
- Lumen values based on photometric tests performed in compliance with IESNA LM-79.

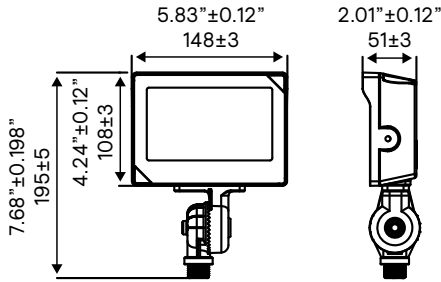


# SF15/35/60/100/150/205/300

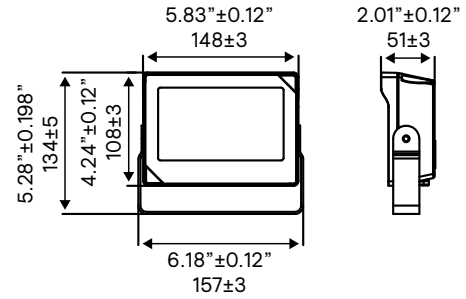
## SlimFlood LED dual select 15–300W

Dimensions: 15–60W

### Knuckle

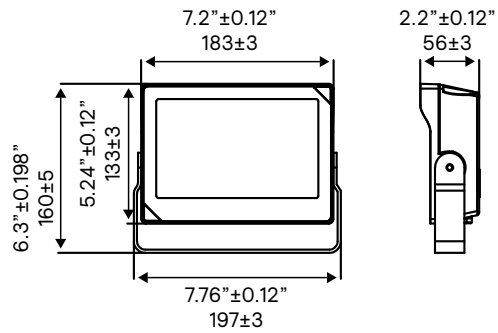
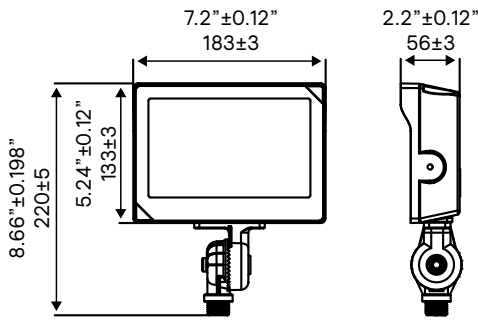


### Yoke



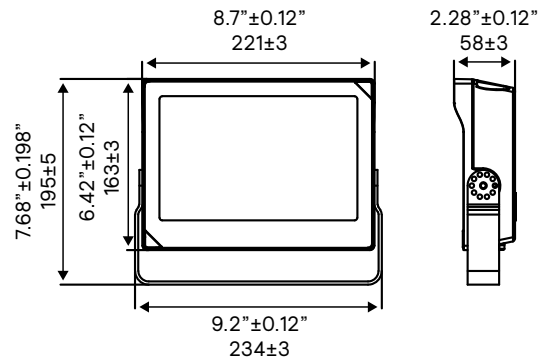
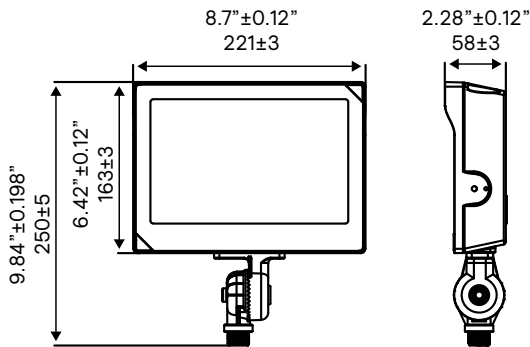
15W Knuckle  
SlimFlood 15W/3CCT/UN3/KN

15W Yoke  
SlimFlood 15W/3CCT/UN3/YK



35W Knuckle  
SlimFlood 15–25–35W/3CCT/UN3/KN/PCB

35W Yoke  
SlimFlood 15–25–35W/3CCT/UN3/YK/PCB



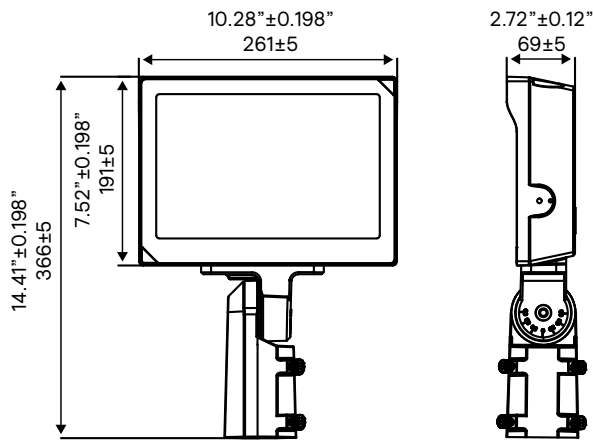
60W Knuckle  
SlimFlood 15–35–60W/3CCT/UN3/KN/PCB

60W Yoke  
SlimFlood 15–35–60W/3CCT/UN3/YK/PCB

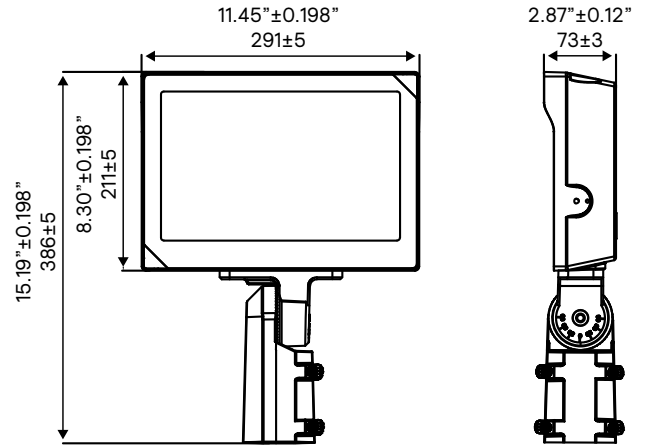
# SF15/35/60/100/150/205/300

## SlimFlood LED dual select 15-300W

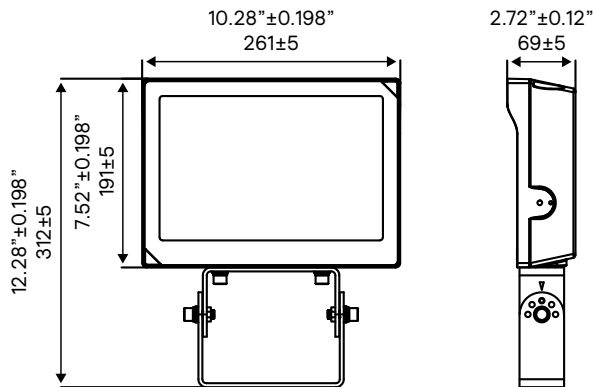
### Dimensions (cont'd): 100-150W



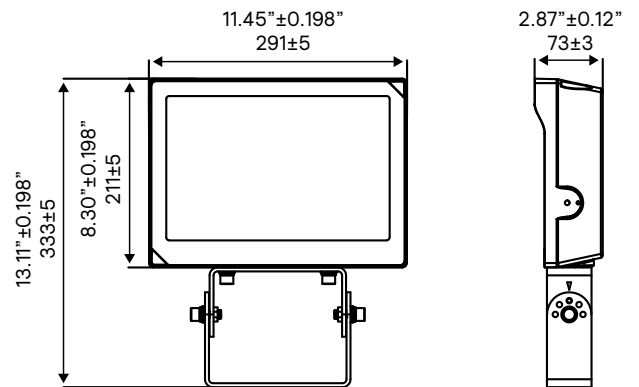
100W Slipfitter  
SlimFlood 60-80-100W/3CCT/UN3/SF/PCB



150W Slipfitter  
SlimFlood 100-120-150W/3CCT/UN3/SF/PCB



100W Trunion  
SlimFlood 60-80-100W/3CCT/UN3/TN/PCB

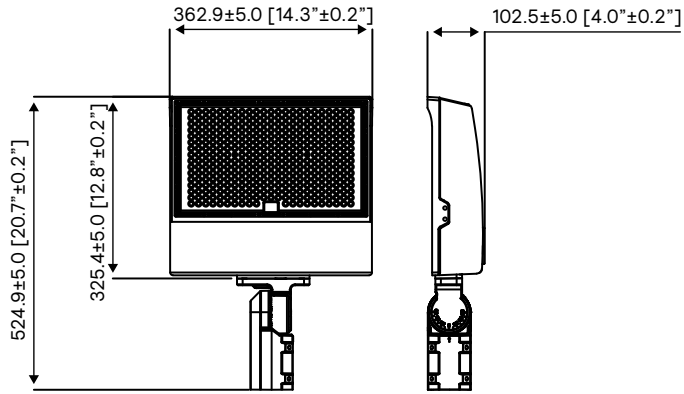


150W Trunion  
SlimFlood 100-120-150W/3CCT/UN3/TN/PCB

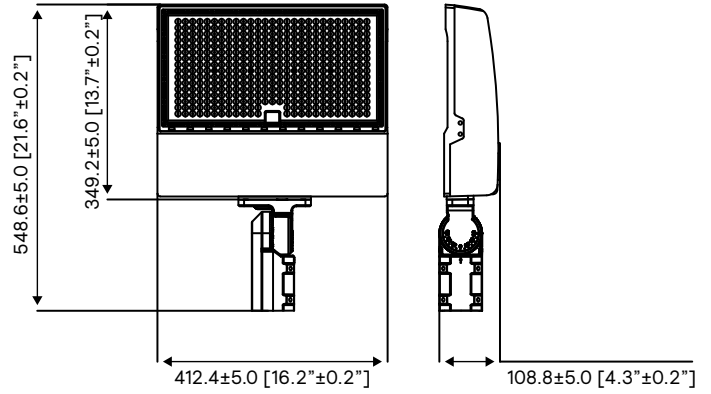
# SF15/35/60/100/150/205/300

## SlimFlood LED dual select 15–300W

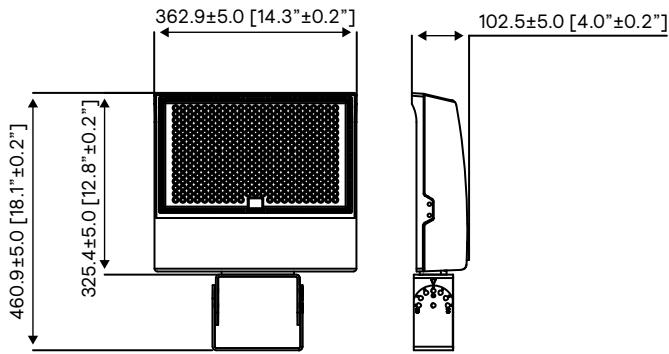
### Dimensions (cont'd): 205–300W



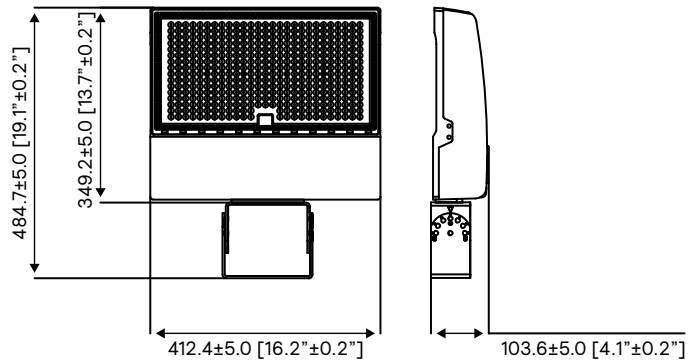
205W Slipfitter  
SlimFlood 120–150–205W/3CCT/UN3/SF



300W Slipfitter  
SlimFlood 205–255–300W/3CCT/UN3/SF



205W Trunnion  
SlimFlood 120–150–205W/3CCT/UN3/TN



300W Trunnion  
SlimFlood 205–255–300W/3CCT/UN3/TN

# SF15/35/60/100/150/205/300

## SlimFlood LED dual select 15–300W

### Specifications

#### Housing and Heat Sink

Single piece aluminum alloy die cast housing.

#### Mounting

Suitable for mounting within 4' (1.2m) of the ground.

**Knuckle (K, see Ordering guide):** Integral die cast Aluminum adjustable knuckle (K) with locking teeth and bolt to lock in aiming angle. Ships fully assembled, ready to install. Knuckle mount option standard for SF15, SF35 and SF60 only.

**Yoke (Y, see Ordering guide):** Integral structural steel adjustable Yoke (Y) for direct surface mounting, painted for resistance to corrosion, with bolt to lock in aiming angle. Ships fully assembled, ready to install. Yoke mount option standard for SF15, SF35 and SF60 only.

**Trunnion (T, see Ordering guide):** Integral structural steel adjustable trunnion (T) for direct surface mounting, painted for resistance to corrosion, with bolt to lock in aiming angle. Ships fully assembled, ready to install. Trunnion mount option for SF100, SF150, SF205 and SF300 only.

**Slipfitter (S, see Ordering guide):** Integral die cast Aluminum adjustable slipfitter (S) includes set screws for securing luminaire to tenon, with aiming angle markings and bolt to lock in aiming angle. Ships fully assembled, ready to install. Slipfitter mount option for SF100, SF150, SF205 and SF300 only.

#### Lens

15W – 150W Tempered glass lens  
205W – 300W Polycarbonate lens

#### Light Engine

Composed of 3 main components: LED Module / Optical System / Driver. Electrical components are RoHS compliant.

#### Color Temperature

All luminaires are provided with three field selectable color temperature options: 3000K/4000K (Default)/5000K.

#### Wattage

SlimFlood dual select is provided with wattage field adjustable options.

**SF15:** 15W(Default);  
**SF35:** 15–25(Default)–35W;  
**SF60:** 15–35(Default)–60W;  
**SF100:** 60–80(Default)–100W;  
**SF150:** 100–120(Default)–150W;  
**SF205:** 120–150(Default)–205W;  
**SF300:** 205–255(Default)–300W.

#### Driver

SlimFlood dual select operates with a 120–347V; 50/60Hz Class 1 or Class 2 driver. All configurations operate with 0–10V dimming.

#### Other Integrated Features

**Photocell:** Included as standard for SF35, SF60, SF100, SF150 with an ON/OFF switch in the luminaire and can be purchased as a separate field installable accessory for SF205 & SF300 using code SF205–300–PCB.

**Surge Protection:** Each luminaire is provided as standard with surge protection. 15–60W: 2.5kV; 100–150W: 4kV; 205–300W: 6kV.

**Beam Angle:** 15–150W and 300W – 110°; 205W – 100°; Tolerance: +/-15%.

#### Finish

Fade and abrasion resistant powdercoat bronze finish (RAL 8019).

#### Certifications and Compliance

cULus Listed for Canada and USA. DLC 5.1 Premium. Entire luminaire is rated for operation in ambient temperature of -40°C (-40°F) up to +50°C (+122°F)

#### IP65 Rating

Entire luminaire including light engine and driver/ electrical compartment IP65 rated in all aiming positions including upward aiming floodlighting applications.

#### Limited Warranty

5-year limited warranty. See [signify.com/warranties](http://signify.com/warranties) for details and restrictions. Visit our eCatalog or contact your local sales representative for more information.

### Predicted Lumen Depreciation Data

Ambient Temperature °C	L <sub>70</sub> per TM21 <sup>1,2</sup>
25°C	50,000hrs

- L<sub>70</sub> is the predicted time when LED performance depreciates to 70% of initial lumen output.
- Calculated per IESNA TM 21-11. Published L<sub>70</sub> hours limited to 6 times actual LED test hours.



© 2023 Signify Holding. All rights reserved. The information provided herein is subject to change, without notice. Signify does not give any representation or warranty as to the accuracy or completeness of the information included herein and shall not be liable for any action in reliance thereon. The information presented in this document is not intended as any commercial offer and does not form part of any quotation or contract, unless otherwise agreed by Signify.

Signify North America Corporation  
400 Crossing Blvd, Suite 600  
Bridgewater, NJ 08807  
Telephone: 855-486-2216

Signify Canada Ltd.  
281 Hillmount Road,  
Markham, ON, Canada L6C 2S3  
Telephone: 800-668-9008

All trademarks are owned by Signify Holding or their respective owners.