

Project: _____ Type: _____
 Drawn by: _____ Catalogue #: _____ Date: _____

Individual Spec Sheet

A19

GU24 LED LAMPS

ORDERING INFORMATION

Order code: 69842
Model number: A19/S2/8W/30K/GU24/STD
UPC: 069549030619
Case quantity: 50

PHYSICAL DATA

Base: GU24
Type: A19
Material: Lens: Plastic
 Housing: Plastic & Aluminum

PERFORMANCE DATA

Watts (W): 8
Traditional equivalent (W) 60
Volts (V AC): 120
Color temperature (K)¹: 3 000
Lumen output (lm)²: 800
Efficacy (lm/W): 100
CRI: 80
Dimmable Yes
Life L70 (h)³: 25 000
Beam Angle 220
Power factor: ≥0.7
Frequency (Hz): 60
Input current (A): 100
Operating temp. range: - 30 °C / - 22 °F to 35 °C / 95 °F
Energy Star No
Warranty: 3 Years
Applications: Indoor only

¹ Typical color temperature range: +/- 5 %.

² Lumen values are derived from photometric testing. Initial lumens range: +/- 10 %.

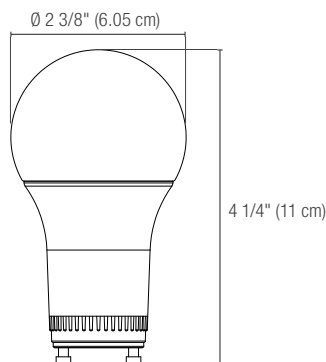
³ Life hours are derived from IESNA LM80 testing report and projected per IESNA TM-21 extrapolations.

COMPATIBLE DIMMERS¹

Brand	Model
LUTRON	PD-6WCL, DVCL-253P, AYCL-253P, MACL-153P, HCL453P, DVCL-153P
COOPER	DAL06P
LEVITON	IPL06, DSM10-1LZ, DDMX1, 6674, DSL06-1LZ
LEGRAND	RH730PTUTC

¹ This table shows dimmers that have been tested and have demonstrated proper operation under normal conditions. Each installation being unique, various factors such as load, common neutrals or other electrical products on the circuit can, in certain instances, cause variance in system performance. Read and comply to the dimmer installation instructions. Consult dimming system manufacturer for additional support in operation. Some dimmers may require more than one product for stable operation. Stanpro recommends to use dimmers designed to work with LED products. Older dimmers designed for incandescent products may cause erratic operation.

DIMENSIONS



3^{yrs}
warranty

dimmable

6
damp location



ICES
005



enclosed fixture

cUL
LISTED

FC

RoHS

This lighting equipment meets requirements of ICES-005 issue 5 class B for use in residential applications. Data is based upon tests performed in a controlled environment. Actual performance can vary depending on operating conditions. Specifications are subject to change without notice.