

## Data Sheet | Item Number: 216-201

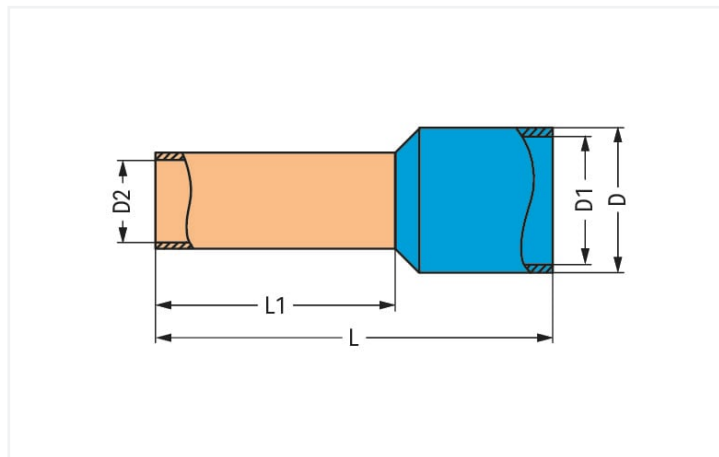
Ferrule; Sleeve for 0.5 mm<sup>2</sup> / 20 AWG; insulated; electro-tin plated; white

<https://www.wago.com/216-201>



Color: ■ white

Similar to illustration



Dimensions in mm

### Technical data

Sleeve cross-section (AWG)	20 AWG
Sleeve for	0.5 mm <sup>2</sup>

### Connection data

Strip length	9 mm / 0.35 inches
--------------	--------------------

### Physical data

Length	14 mm
Crimp length (length of sleeve)	8 mm
Diameter	3.1 mm
Inner Diameter plastic collar	2.6 mm
Diameter crimp sleeve inside	1 mm

### Material data

Color	white
Fire load	0.001 MJ
Weight	0.1 g

### Commercial data

Product Group	2 (Terminal Block Accessories)
eCl@ss 10.0	27-40-02-01
eCl@ss 9.0	27-40-02-01
ETIM 8.0	EC000005
ETIM 7.0	EC000005
PU (SPU)	1000 pcs
Packaging type	Box
Country of origin	DE
GTIN	4017332277433
Customs tariff number	85369010000

### Environmental Product Compliance

RoHS Compliance Status

Compliant, No Exemption

### Downloads

#### Environmental Product Compliance

##### Compliance Search

Environmental Product  
Compliance 216-201

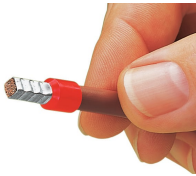


### Documentation

#### Bid Text

216-201	19.02.2019	xml 2.80 KB	
216-201	11.09.2017	doc 23.50 KB	

### Installation Notes



A perfect gas-tight crimp – both electrical-ly and mechanically reliable