

Terminal, spring-loaded terminal, 3 clamping points, PE/PEN terminal, 4 mm², green-yellow



Model	
product brand name	ALPHA
design of the product	PE through-type terminal
General technical data	
terminal contact spacing	6.2 mm
Protection class	
combustibility class according to UL 94	V0
Product details	
product component required end cover plate	Yes
Number	
number of terminal levels	1
number of terminal points per terminal level	3
Connections	
stripped length	9 mm
connectable conductor cross-section solid	
• minimum	0.08 mm ²
• maximum	6 mm ²
connectable conductor cross-section stranded	
• minimum	4 mm ²
• maximum	0.08 mm ²
connectable conductor cross-section finely stranded	
• with core end processing minimum	0.14 mm ²
• with core end processing maximum	4 mm ²
• without core end processing minimum	0.08 mm ²
• without core end processing maximum	4 mm ²
type of connection 1	spring-loaded terminal
type of connection 2	spring-loaded terminal
position of the terminal	top
Mechanical Design	
height	71.53 mm
height with lowest-profile installation	36.5 mm
depth	35.25 mm
length	71.5 mm
fastening method	TH35 DIN rail
net weight	16 g
material of the insulating body	Other
Environmental conditions	
ambient temperature during operation	
• minimum	105 °C
• maximum	105 °C

Approvals Certificates

General Product Approval

other



[Confirmation](#)



EG-Konf.



UR



[Miscellaneous](#)

other

Environment

[Confirmation](#)

[Environmental Con-
firmations](#)

[Environmental Con-
firmations](#)

Further information

Information on the packaging

<https://support.industry.siemens.com/cs/ww/en/view/109813875>

Information- and Downloadcenter (Catalogs, Brochures,...)

<http://www.siemens.com/lowvoltage/catalogs>

Industry Mall (Online ordering system)

<https://mall.industry.siemens.com/mall/en/en/Catalog/product?mlfb=8WH2003-0CG07>

Service&Support (Manuals, Certificates, Characteristics, FAQs,...)

<https://support.industry.siemens.com/cs/ww/en/ps/8WH2003-0CG07>

Image database (product images, 2D dimension drawings, 3D models, device circuit diagrams, ...)

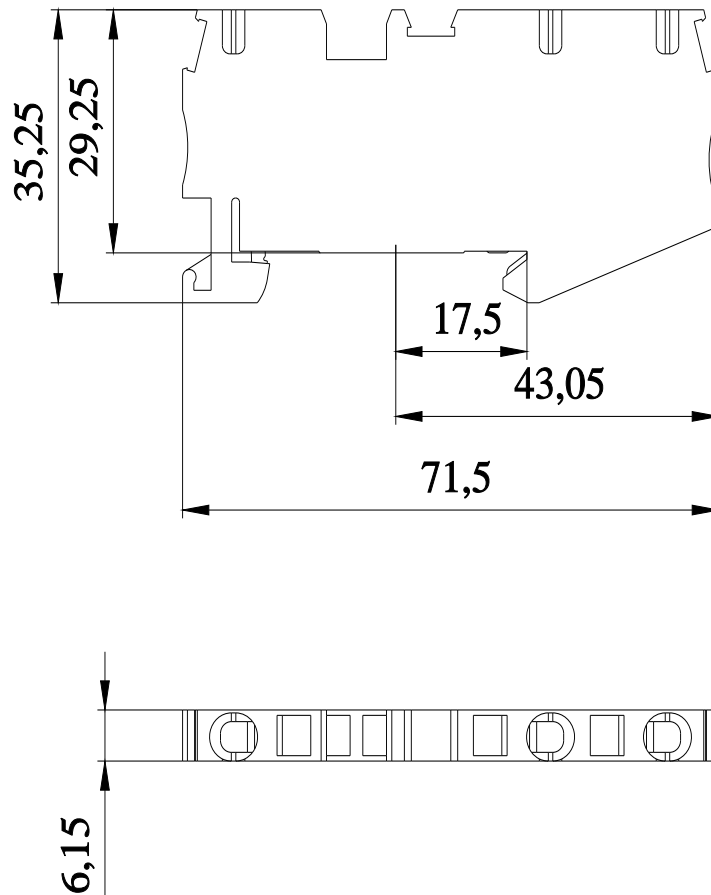
http://www.automation.siemens.com/bilddb/cax_en.aspx?mlfb=8WH2003-0CG07

CAX-Online-Generator

<http://www.siemens.com/cax>

Tender specifications

<http://www.siemens.com/specifications>



last modified:

8/9/2024

