



120 V AC Talking Smoke & Carbon Monoxide Alarm

with 10-Year Sealed Battery Backup

Part Number **21027905** Model **P4010ACSCO-CA**
10-Year Limited Warranty



10-Year Sealed Lithium Battery eliminates late night battery chirp

Voice Notifications

Bug Screen protects alarm from insect ingress

Flashing LED Status Ring allows easy identification of current state of alarm

Green:
Device is Working

Amber:
Error

Red:
Alarm Detected

Description

The P4010ACSCO-CA is an AC/DC powered smoke and carbon monoxide (CO) alarm with 10 year battery backup and interconnect capability. The voice warning feature accompanies the 85dB tone during an alarm event, and helps reduce confusion with verbal announcements such as “Replace Alarm” at end of alarm life, and “Hush mode activated” when a nuisance alarm is silenced. The three-colour LED ring helps users quickly determine standby, alarm, or error mode of the alarm.

Kidde P4010 Series Alarms contain 10-year tamper proof batteries that eliminate the need for battery replacement, and ends worry over unauthorized removal. The unit’s Ambient Light Sensing feature establishes a day/night cycle and prevents alarm chirping in dark conditions.

Hardwire interconnect triggers each connected alarm to sound once smoke or CO is detected, which can provide more time to react to a hazard.

Features and Benefits

- **Hardwire Interconnect** – Join multiple alarms together, so when one alarm sounds they all sound.
- **120V Direct Wire with 10-Year Sealed-in Lithium Battery Backup** – No battery replacement required over the 10 year life of the alarm.
- **Combined Smoke & Carbon Monoxide Alarm** – A single unit can be installed where previously, two were needed. Reduces installation time and protects against both fire and carbon monoxide dangers.
- **Voice Notifications** – Unit announces “Fire!” and other alerts such as “Replace Alarm,” which helps the user better understand the alarm status. Easily switch your language preference (English/French) at any time by pressing the Test button twice on ALL devices you wish to change the language on.
- **Alarm Locate Feature** – Quickly find initiating alarm by silencing other alarms in the network.
- **Multi-function One Button Design includes:**
 - **Hush® Feature** – Temporarily silences nuisance alarms for up to 10 minutes (smoke must be present before Hush® is activated). End of Unit Life chirps can also be silenced.
 - **Test Feature** – Simultaneously tests the unit’s electronics and verifies alarm operation.



Architectural and Engineering Specifications

The combination smoke and carbon monoxide alarm shall be Kidde model P4010ACSCO-CA or approved equal. It shall be powered by 120V AC, 60Hz source with lithium battery backup. The lithium batteries shall be sealed in the unit to prevent removal and/or tampering. The temperature operating range shall be between 4.4°C (40°F) to 37.8°C (100°F) and the humidity operating range shall be 10%–95% relative humidity, non-condensing.

The unit shall incorporate a photoelectric smoke sensor with sensitivity of 2.32 ± 1.35 %/ft OBS. The CO sensor shall be of a fuel cell design and shall meet the sensitivity requirements of CAN/CSA 6.19-17 (R2011) - Residential carbon monoxide alarming devices.

The alarm can be installed on any standard single gang electrical box or a 4" octagon junction box. The electrical connection to the alarm shall be made with a plug-in connector. The alarm shall incorporate an activation switch that can be engaged with the included tool or screwdriver to power on the alarm at startup, and deactivate the alarm at end of alarm life.

The P4010ACSCO-CA shall include a test button that will simulate fire and carbon monoxide conditions and cause the unit to go into alarm. This sequence tests the unit's electronics to ensure proper operation. A maximum of 24 Kidde devices can be interconnected in a multiple station arrangement. The interconnect system must not exceed the limit of 18 initiating devices, of which 12 can be smoke alarms. With 18 initiating devices (smoke, heat, CO, etc), interconnected, it is still possible to interconnect 6 strobe lights and/or relay modules.

The CO sensor will not alarm to levels of CO below 30 ppm and will alarm in the following time range when exposed to the corresponding levels of CO:

| | |
|--------------------------|------------------|
| 70 ppm CO Concentration | 60 – 240 minutes |
| 150 ppm CO Concentration | 10 – 50 minutes |
| 400 ppm CO Concentration | 4 – 15 minutes |

The unit shall have audible methods for warning of smoke or fire danger: a piezoelectric horn, rated at 85 decibels at 10 feet, and a voice warning. In a smoke incident, the horn will sound in the repetitive manner – three long beeps, a 1.5 second pause, three long beeps, repeating. In between, the unit will announce a voice warning, "Fire!" For a CO incident, the horn will sound in the repetitive manner - 4 quick beeps, voice message "Warning! Carbon Monoxide", 4 quick beeps. The red LED ring will flash in conjunction with the alarm sound.

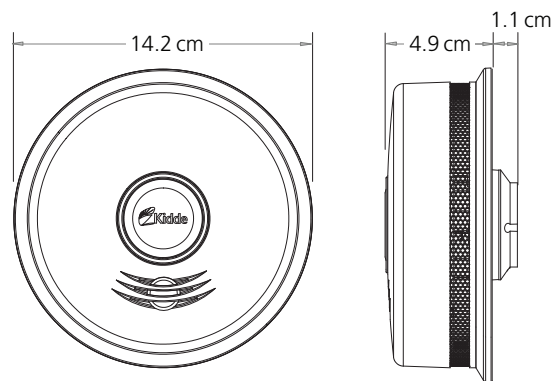
The unit shall incorporate wired alarm interconnect capability, whereas when one interconnected unit sounds an alarm, all other compatible wired units in the alarm network will alarm.

The unit shall at a minimum meet the requirements of CAN/CSA 6.19-17 and CAN/ULC-S531. It shall also include a 10-year manufacturer's limited warranty.

Leading authorities recommend that both ionization and photoelectric smoke alarms be installed to help ensure maximum detection of the various types of fires that can occur within the home. Ionization sensing alarms may detect invisible fire particles (associated with fast flaming fires) sooner than photoelectric alarms. Photoelectric sensing alarms may detect visible fire particles (associated with slow smoldering fires) sooner than ionization alarms.

Technical Specifications

| | |
|---------------------------|--|
| Power Source: | 120 V AC, 60Hz 53 mA max per alarm with sealed 3V battery backup |
| Sensors: | Smoke: Photoelectric, CO: Electrochemical |
| Audio Alarm | 85 dB at 10 ft |
| Temperature Range: | 4.4°C (40°F) to 37.8°C (100°F) |
| Humidity Range: | 10%-95% relative humidity, non-condensing |
| Size: | 14.2 cm in diameter x 4.9 cm depth |
| Weight: | 0.27 kg |
| Wiring: | Quick connect plug with 15.2 cm (6") pigtailed |
| Interconnects: | Up to 24 Kidde devices (of which 18 can be initiating) |
| Warranty: | 10-year limited |



Installation of Alarm

The combination alarm should be installed to comply with all local codes having jurisdiction in your area. Make certain all alarms are wired to a single, continuous (non-switched) power line, which is not protected by a ground fault interrupter. A maximum of 305 m (1000') of wire can be used in the interconnect system. Use standard CSA listed household wire (18 gauge or larger as required by local codes).

Ordering Information

UPC: 0-47871-27905-0

| Part Number | 12 of 5 | Pack Quantity | Case Dimensions (w x d x h) | Case Weight | Case/Skid |
|-------------|-------------------|---------------|-----------------------------|-------------|-----------|
| 21027905 | 100-47871-27905-7 | 3 units | 22.9 cm x 15.2 cm x 15.2 cm | 1.54 kg | 210 |



Kidde Canada Inc.
P.O. Box 40, Apsley, ON K0L 1A0
1-800-880-6788
www.kiddecanada.com

Distributed by: