



Features & Benefits

- **Double the detection:** Helps keep your family safer with additional sensing capability of smoke and carbon monoxide (CO) and provides the convenience of a device that handles two important jobs instead of just one.
- **Remote notification and status with Kidde HomeSafe:** Use the Kidde app to receive notifications if hazards are detected, know when the device needs to be replaced and test alarms.* Mobile alerts allow you to notify friends and family of potential danger. Plus, you can Smart Hush™ false alarms when you are home.*
- **One battery for 10 years:** Alarms are powered by 120V AC with a sealed long-life lithium backup battery that lasts for 10 years** – the entire life of the device.
- **Simplify setup:** Just scan the QR code on the back of the product. No additional hub is needed to set up your Kidde smart devices.
- **Whole-home alarm activation:** Interconnected alarms activate together*** – when one alarm sounds, they all sound, and an alert is sent to your phone.
- **Compatible with Google Assistant and Amazon Alexa:** Use voice commands to check alarm status and connection.†
- **cUL and CSA Listed:** Comprehensively tested and designed to the exacting standards set by cUL and CSA – global safety leaders – for the latest in safety and reliability.

*This feature is only available on devices with the Kidde HomeSafe feature, not other interconnected alarms, when you are connected to the same Wi-Fi network as the alarm.

**10-year limited warranty on alarm. Not a battery performance claim.

***Alarms only connect with other Kidde alarms that have hardwired AC interconnect capability.

****Based on total household installations as of December 2021.

† Amazon, Alexa, and all related marks are trademarks of Amazon.com, Inc or its affiliates. Google is a trademark of Google, LLC

Double the detection:

Alerts you to both smoke & carbon monoxide in just one device.

Remote alarm notifications:

Real-time mobile alerts through the Kidde app.

One battery for 10 years**:

Powered by 120V AC, with a backup battery that lasts 10 years.

Smart detection featuring Kidde HomeSafe™

This alarm is part of a comprehensive suite of home safety devices that help protect against smoke, carbon monoxide, indoor air quality issues, leaks and freezes.

Description

From the #1 most installed fire safety brand in North America**** comes Kidde's Smoke + Carbon Monoxide Alarm with smart features, giving you the functionality and capabilities you need to manage your home safety systems with confidence. Equipped with Kidde HomeSafe, it connects this Wi-Fi-enabled device with the Kidde app to place status updates and alerts at your fingertips. It's also designed to work together with existing Kidde hardwired interconnected alarms to provide whole-home alarm activation – when one alarm sounds, they all sound, and an alert is sent to your phone.* It's a new level of control – and it's all from a trusted leader in fire safety for more than 100 years.

Glowing LED Status Ring allows easy identification of current state of alarm.



Green:
Unit is Working

Amber:
Error

Red:
Danger Detected

⚠ WARNING: Mobile alert services are ancillary to the product and for informational purposes only. They are not intended or suitable for life safety or critical purposes nor do these services take the place of third-party life safety monitoring services. This product's smartphone and tablet notifications require a stable Wi-Fi connection, and are only as reliable as your home Wi-Fi network. Images are representative only. Actual product may vary slightly.



Architectual and Engineering Specs

See User Guide for complete instructions.

AC Hardwire Specifications	
Installation	Fits most standard electrical box openings
Electrical Connection	Plug-in connector
Interconnect	Up to 24 Kidde devices (limited by NFPA 72, see user guide) ¹
Sounds and Warnings	
Smoke Alarm	3 long beeps, voice "Fire," 3 long beeps
CO Alarm	4 fast beeps, voice "Warning Carbon Monoxide," 4 fast beeps
End of Unit Life	After 10 years of operation, chirps and voice "Replace alarm, press button to temporarily silence"
CO Alarm Response Times	70ppm: 60-240min 150ppm: 10-50min 400ppm: 4-15min
Technical Specifications	
Power Source	120VAC 60Hz, 53mA max 3V sealed lithium battery backup
Sensor(s)	Smoke: Photoelectric CO: Electrochemical
Audio Alarm	85dB at 3m
Temperature Range	4.4°C (40°F) to 37.8°C (100°F)
Humidity Range	10 to 95% relative humidity (RH), non-condensing
Wi-Fi	802.11b/g/n (2.4GHz) Wi-Fi (<i>Wi-Fi features only work with AC power connected</i>)
Weight	0.27Kg
Regulatory Agency Compliance (at date of manufacture)	ULC S531 CSA 6.19

¹ This alarm is not designed to be interconnected with other manufacturer's products, unless otherwise specified.

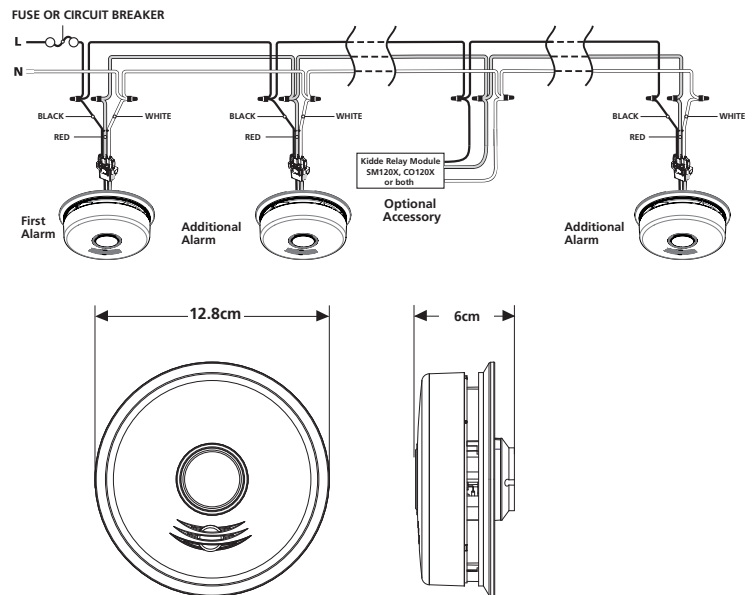
Important Information

Industry experts recommend specific locations for smoke alarms, such as every level and sleeping area of the dwelling. Industry experts also recommend a CO alarm be installed on each level of the home—ideally on any level with fuel burning appliances and outside of sleeping areas. See user guide for more location information.

Leading authorities recommend that both ionization and photoelectric smoke alarms be installed to help ensure optimal detection of the various types of fires that can occur within the home. Ionization sensing alarms may detect invisible fire particles (associated with fast flaming fires) sooner than photoelectric alarms. Photoelectric sensing alarms may detect visible fire particles (associated with slow smoldering fires) sooner than ionization alarms.

⚠ WARNING: This product is intended for use in indoor residential locations. It is not designed to measure compliance with commercial or industrial standards. This device is designed to protect individuals from acute effects of Carbon Monoxide exposure. It will not fully safeguard individuals with specific medical conditions. If in doubt, consult a medical practitioner. Individuals with medical problems may consider using warning devices which provide audible and visual signals for carbon monoxide concentrations under 30 ppm.

Installation



Ordering Information (Not for sale by individual unit)

UPC	Ordering No:	1 2 of 5	Packaging	Master Pack Qty	Pallet Qty	Dimensions (cm) (w x d x h)	Weight
0-47871-31589-5	21031589	100-47871-31589-2	Box	2	250	22.6 x 19.6 x 20.1	1.8 Kg



KIDDE CANADA INC.
P.O. BOX 40
Apsley, ON KOL 1A0
1-877-542-5471 | www.KiddeCanada.com

Distributed by:



A Carrier Company
©2023 Carrier. All Rights Reserved.

All trademarks and service marks referred herein are property of their respective owners.