



AA Battery Operated Talking Smoke & Carbon Monoxide Alarm

with Front-Loading Battery Door



Part Number **900-0220** Model **KN-COSM-BACA**
10-Year Limited Warranty

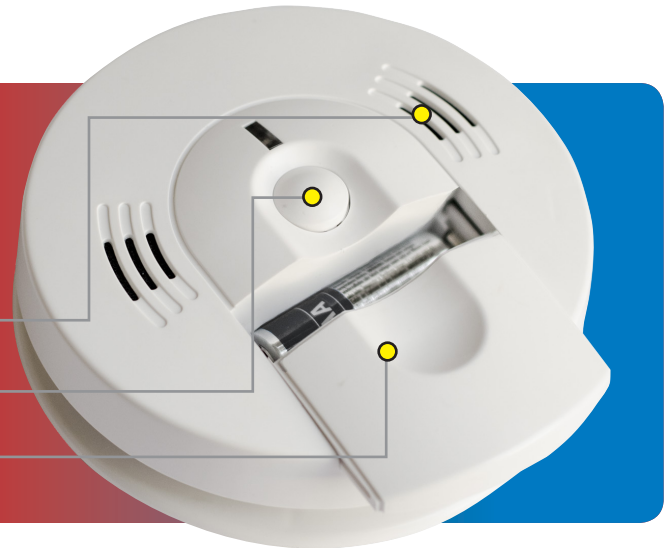
Combined Smoke & Carbon Monoxide Alarm

Intelligent Sensor Technology

Voice Warning

Hush®/Test/Reset Button

Front-Loading Battery Door



Features and Benefits

- **Combined Smoke & Carbon Monoxide Alarm** – A single unit can be installed where previously, two were needed. Reduces installation time and protects against both fire and carbon monoxide dangers.
- **Intelligent Sensor Technology** – Combines the detection capabilities of an ionization smoke sensor with that of an electrochemical carbon monoxide sensor. When either sensor notices a potential hazard, the alarm will adjust its smoke sensitivity to differentiate between a real hazard and a false one.
- **Voice Warning** – Announces the hazard type detected (in English and French). Alarm announces “FIRE!” when a smoke or fire hazard is detected and announces “WARNING! CARBON MONOXIDE!” when a CO hazard is detected. Also announces “LOW BATTERY” when it is time to replace the batteries.
- **AA Front-Loading Battery Door** – Change the batteries without the need to remove the unit from the ceiling.
- **Tamper Resistant** – Unit will lock to mounting bracket to deter theft or tampering.
- **End of Life Notification** – Ten (10) years after unit is first powered, this alarm will beep two times every 30 seconds to indicate it is time to replace the alarm.
- **Alarm Memory:** The green LED will flash every second during alarm. When the alarm condition goes away, the originating alarm unit will flash the green LED every 16 seconds until the Test/Reset button is pressed, thus resetting the alarm.

Multi-function One Button Design includes:

- **Test Feature** – Tests the alarm circuitry and triggers the voice announcement
- **Hush® Feature** – Temporarily silences nuisance alarms for approximately 9 minutes (will announce “HUSH MODE ACTIVATED,” or “HUSH MODE CANCELLED.”).
- **Reset Feature** – Resets the carbon monoxide alarm
- **Peak Level Memory** – If alarm has detected a CO level of 100ppm or higher since it was last reset, the voice alarm will announce “CAUTION, CARBON MONOXIDE PREVIOUSLY DETECTED”

Alarm Warnings

- **Fire:** The red LED will flash and be accompanied by three long alarm beeps followed by a verbal warning message “FIRE!”. The alarm pattern will repeat until smoke is eliminated.
- **Carbon Monoxide:** Four short alarm beeps followed by a verbal warning “WARNING! CARBON MONOXIDE!” This continues until the unit is reset or the CO is eliminated.
- **Low Battery:** One chirp followed by warning “LOW BATTERY.” The red LED light will flash. This pattern will continue every minute for at least seven days. Under battery power, the “LOW BATTERY” voice only occurs once every 15 minutes.
- **Voice Hush Indication:** “HUSH MODE ACTIVATED” and “HUSH MODE CANCELLED” voice announcement.

SIGNALISATION
SIGNALLING



LISTED
HOMOLOGUÉ

CSA-6.19-01

Architectural and Engineering Specifications

The combination smoke and carbon monoxide alarm shall be Kidde model KN-COSM-BACA or approved equal. It shall be powered by two AA batteries. The temperature operating range shall be between 4.4°C (40°F) to 37.8°C (100°F) and the humidity operating range shall be 10%–95% relative humidity, non-condensing.

The unit shall incorporate an ionization smoke sensor with nominal sensitivity of 0.81 ± 0.11 %/ft. The CO sensor shall be of a fuel cell design and shall meet the sensitivity requirements of CAN/CSA 6.19-01 (R2011) - Residential carbon monoxide alarming devices.

The alarm can be installed on the surface of any wall or ceiling following the UL/NFPA/Manufacturer's recommended placement guidelines. The unit shall provide optional tamper resistance that deters removal of the unit from the wall or ceiling. No additional pieces shall be required to activate this feature.

The alarm shall include a test button that will electronically simulate the presence of smoke and CO and cause the unit to go into both modes of alarm. This sequence tests the unit's electronics to ensure proper operation.

The CO sensor will not alarm to levels of CO below 30 ppm and will alarm in the following time range when exposed to the corresponding levels of CO:

70 ppm CO Concentration	60 – 240 minutes
150 ppm CO Concentration	10 – 50 minutes
400 ppm CO Concentration	4 – 15 minutes

The combination alarm shall have two methods of warning for danger: a piezoelectric horn that is rated at 85 decibels at 10 feet and a voice warning that identifies the danger. For a CO incident, the horn will sound in four (4) short beeps followed by the verbal warning message "Warning Carbon Monoxide!". This continues until the unit is reset or the CO is eliminated. In a Smoke incident, the horn will sound three (3) long alarm beeps followed by the verbal warning message "FIRE!". This pattern is repeated until the smoke is eliminated. The red LED light will flash while in alarm/voice mode.

The unit shall incorporate an LED display. A green LED will flash every 60 seconds in standby mode, every second to indicate alarm memory, and every 2 seconds to indicate the Hush® mode is active. A red LED will flash in unison with the alarm sounder pattern.

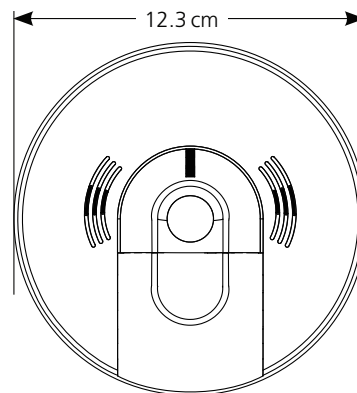
The unit shall include the Hush® feature that silences the unit for approximately 9 minutes if a nuisance alarm condition occurs. The Green LED on the alarm will flash every 2 seconds while in Hush® and will automatically reset itself. It also provides voice announcement of "HUSH MODE ACTIVATED" when Hush® is activated and "HUSH MODE CANCELLED" when the Hush cycle ends.

The unit shall also indicate a low battery warning utilizing each of the following methods: the red LED will flash and the unit will "chirp" once, followed by the warning message "Low Battery!".

The unit shall at a minimum meet the requirements of CAN/CSA 6.19-01 and CAN/ULC-5531. It shall also include a 10-year manufacturer's limited warranty.

Technical Specifications

Power Source:	Two (2) AA batteries
Sensors:	Smoke: Ionization, CO: Electrochemical
Audio Alarm:	85 dB at 10 ft
Temperature Range:	4.4°C (40°F) to 37.8°C (100°F)
Humidity Range:	10%-95% relative humidity, non-condensing
Unit Size:	12.3 cm in diameter x 3.2 cm depth
Unit Weight:	0.14 kg
Interconnects:	No
Warranty:	10-year limited



Ordering Information

UPC: 0-47871-07451-8

Part Number	12 of 5	Pack Quantity	Case Dimensions (w x d x h centimeters)	Case Weight	Case/Skid
900-0220	100-47871-07451-5	8 units	20 cm x 44 cm x 28 cm	3.86 kg	36



Kidde Canada Inc.
P.O. Box 40, Apsley, ON K0L 1A0
1-800-880-6788
www.kiddecanada.com

Distributed by: