

10-Year Battery Worry-Free Talking Smoke Alarm

Part Number **P3010B-CA** Model **P3010B-CA**
10-Year Limited Warranty

10-year Sealed Lithium Battery Backup

Voice Warning

Hush® / Test Button



Description

The Kidde P3010B-CA is a 10-year, sealed battery, smoke alarm with photoelectric sensing technology and Hush feature. The 85dB alarm tone is accompanied by a voice warning feature. The alarm will automatically activate when it is attached to the mounting bracket; there are no pulltabs, no switches, everything is automatic. At the end of alarm life, the unit will chirp, indicating the alarm is in need of replacement. The customer can use a simple tool such as a screwdriver to deactivate the unit, stopping the chirp and making it safe for disposal.

The P3010B-CA contains a 10-year tamper proof battery that eliminates the need for battery replacement, and ends worry of unauthorized battery removal. The alarm provides continuous protection from smoke and fire, even during power outages.

This smoke alarm uses photoelectric sensing technology. Photoelectric sensing alarms may detect visible fire particles (associated with slow smoldering fires) sooner than ionization alarms. Ionization sensing alarms may detect invisible fire particles (associated with fast flaming fires) sooner than photoelectric alarms. Leading authorities recommend that both ionization and photoelectric smoke alarms be installed to help ensure maximum detection of the various types of fires that can occur within the home.

Features and Benefits

- **10-Year Sealed Lithium Battery Backup** – Eliminates the need to replace the battery. No battery to replace for the life of the alarm (10 years). Battery automatically activates when the alarm is attached to mounting bracket.
- **Voice Warning** – Unit announces “Fire! Fire!” in addition to loud 85dB beeps when smoke or fire is detected.
- **Multi-function One Button Design includes:**
 - **Hush® Feature** – Temporarily silences nuisance alarms for approximately 10 minutes (smoke must be present before Hush® is activated).
 - **Test Feature** – Simultaneously tests the unit’s electronics and verifies alarm operation.
- **Tamper Resist Feature** – Unit will lock to mounting bracket to deter theft or tampering.
- **End of Life Notification** – Ten (10) years after unit is first powered, this alarm will chirp twice every 30 seconds to indicate it is time to replace the alarm.
- **End of Life Hush Feature** – Allows you to temporarily silence End of Life chirp 3 days at a time for a maximum of 30 day life extension.
- **Photoelectric Technology** – may detect visible particles (associated with smoldering fires) sooner than ionization alarms.

Architectural and Engineering Specifications

The smoke alarm shall be Kidde model P3010B-CA or approved equal. It shall be powered by a non-replaceable lithium battery with a 10-year life. The lithium battery shall be sealed in the unit to prevent removal and/or tampering. The temperature operating range shall be between 4.4°C (40°F) to 37.8°C (100°F) and the humidity operating range shall be 10%–95% relative humidity, non-condensing.

The unit shall incorporate a photoelectric smoke sensor with nominal sensitivity of 2.075 ± 0.915 %/ft.

The alarm can be installed on the surface of any wall or ceiling following the UL/NFPA/Manufacturer’s recommended placement guidelines. The alarm shall incorporate an automatic activation feature that will activate the unit as soon as it is attached to the mounting bracket, no other steps are involved.

The alarm shall include a test button that will electronically simulate the presence of smoke and cause the unit to go into alarm. This sequence tests the unit’s electronics to ensure proper operation.

The unit shall have two audible methods for warning of smoke or fire danger: a piezoelectric horn that is rated at 85 decibels at 10 feet and a voice warning. In alarm, the horn will sound in the repetitive manner – three (3) beeps, a pause, three (3) beeps, a pause. In between, the unit will announce “Fire! Fire!”. A red LED will flash in conjunction with the alarm sound.

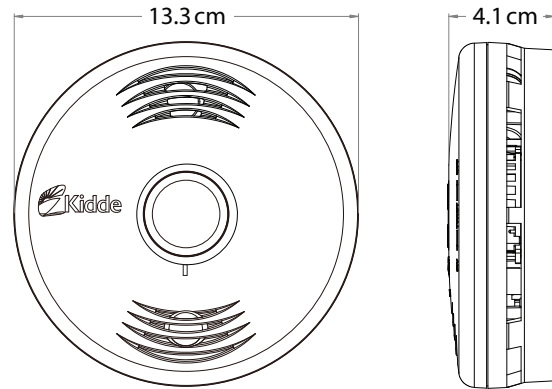
The unit shall also indicate a low battery warning utilizing each of the following methods: a brief alarm chirp every 60 seconds, the voice announcement of “Low Battery!” and the red LED will flash once every 30 seconds. The red LED will flash every 60 seconds for the first 10 minutes following power on or reset, and once every 10 minutes thereafter. It will also flash every 10 seconds while in Hush mode.

The smoke alarm shall include an End of Life Alert, where ten years after initial power-up the unit shall chirp two times every 30 seconds to indicate the alarm needs to be replaced. The End of Life indication can be silenced three days at a time for a maximum of 30 days. The unit shall have a deactivation switch to disable it and make it safe for disposal.

The unit shall at a minimum meet the requirements of CAN/ULC-S531. It also shall include a 10-year manufacturer’s limited warranty.

Technical Specifications

Power Source:	Sealed 3V lithium battery
Sensor:	Photoelectric
Audio Alarm	85 dB at 10 ft
Temperature Range:	4.4°C (40°F) to 37.8°C (100°F)
Humidity Range:	10%-95% relative humidity, non-condensing
Size:	13.3 cm diameter x 4.1 cm depth
Weight:	0.18 kg
Interconnects:	No
Warranty:	10-year limited



Ordering Information

UPC: 0-47871-10107-8

Part Number	12 of 5	Pack Quantity	Case Dimensions (w x d x h centimeters)	Case Weight	Case/Skid
P3010B-CA	100-47871-10107-5	6 units	20 cm x 44 cm x 27 cm	2.02 kg	36



Kidde Canada Inc.
P.O. Box 40, Apsley, ON K0L 1A0
1-800-880-6788
www.kiddecanada.com

Distributed by: