



circuit breaker 3VA5 UL Frame 125 breaking capacity class H 65 kA @ 480 V 3-pole, line protection TM230, FTAM, In=15 A overload protection Ir=15 A permanently set short-circuit protection Ii=5...10xIn without connection

| Model | |
|--|-----------------------------|
| product brand name | SENTRON |
| product designation | Molded-case circuit breaker |
| product designation / according to UL file | HEAS |
| design of the product | System protection |
| design of the load switch / according to UL 489 / Heating, Air Conditioning, and Refrigeration circuit breaker (HACR Type) | Yes |
| design of the load switch / according to UL 489 / High-Intensity-Discharge circuit breaker (HID Type) | Yes |
| design of the load switch / according to UL 489 / Switching Duty circuit breaker (SWD Type) | Yes |
| design of the overcurrent release | TM230 |
| protection function of the overcurrent release | LI |
| number of poles | 3 |
| General technical data | |
| insulation voltage / rated value | 800 V |
| operating voltage / at DC / rated value | 500 V |
| operating voltage / at AC / rated value | 690 V |
| power loss [W] / maximum | 10.6 W |
| power loss [W] / for rated value of the current / at AC / in hot operating state / per pole | 3.53 W |
| mechanical service life (operating cycles) / typical | 20 000 |
| electrical endurance (operating cycles) / at AC-1 / at 380/415 V | 8 000 |
| electrical endurance (operating cycles) / at AC-1 / at 690 V | 4 000 |
| electrical endurance (operating cycles) / at 480 V | 8 000 |
| electrical endurance (operating cycles) / at 600 V | 4 000 |
| product feature / for neutral conductors / upgradable/retrofitable / short-circuit and overload proof | No |
| product function | |
| • communication function | No |
| • other measurement function | No |
| Net Weight | 950 g |
| Current | |
| marking / according to UL 489 / 100%-rated breaker | No |
| operational current | |
| • at 40 °C | 15 A |
| • at 45 °C | 15 A |
| • at 50 °C | 14 A |
| • at 55 °C | 14 A |
| • at 60 °C | 14 A |
| • at 65 °C | 14 A |
| • at 70 °C | 14 A |

Switching capacity according to IEC 60947

| | |
|---|--|
| switching capacity class of the circuit breaker | H |
| maximum short-circuit current breaking capacity (I _{cu}) <ul style="list-style-type: none">• at 240 V• at 415 V• at 690 V | 150 kA 70 kA 10 kA |
| operating short-circuit current breaking capacity (I _{cs}) <ul style="list-style-type: none">• at 240 V• at 415 V• at 690 V | 150 kA 70 kA 5 kA |
| short-circuit current making capacity (I _{cm}) <ul style="list-style-type: none">• at 240 V• at 415 V• at 690 V | 330 kA 154 kA 17 kA |
| design of short-circuit protection | For switching power values in DC networks, see the 3VA molded case circuit breaker device manual; link to be found under Service & Support in the last chapter |

Switching capacity according to UL 489

| | |
|--|--------------------------|
| current breaking capacity <ul style="list-style-type: none">• at 240 V• at 480 V• at 600 Y/347 V | 150 kA 65 kA 25 kA |
|--|--------------------------|

Adjustable parameters

| | |
|---|----------------|
| adjustable response value setting current (I _r) / of the L-trip / with I _{2t} characteristic <ul style="list-style-type: none">• minimum• maximum | 15 A 15 A |
| adjustable response value delay time (t _r) / for L-tripping / with I _{2t} characteristic <ul style="list-style-type: none">• minimum• maximum | 1 s 1 s |
| adjustable response value setting current (I _i) / for I-tripping <ul style="list-style-type: none">• minimum• maximum | 150 A 300 A |
| adjustable setting current (I _{nN}) / for N-tripping <ul style="list-style-type: none">• minimum• maximum | 0 A 0 A |
| product function / grounding protection | No |

Mechanical Design

| | |
|---|----------------|
| product component <ul style="list-style-type: none">• undervoltage release• voltage trigger• trip indicator | No No No |
| height [in] | 5.51 in |
| height | 140 mm |
| width [in] | 3 in |
| width | 76.2 mm |
| depth [in] | 3.01 in |
| depth | 76.5 mm |

Connections

| | |
|---|--------------------|
| arrangement of electrical connectors / for main current circuit | Without connection |
| type of electrical connection / for main current circuit | Without |

Auxiliary circuit

| | |
|--|---|
| number of CO contacts / for auxiliary contacts | 0 |
|--|---|

Accessories

| | |
|--|-----|
| product extension / optional / motor drive | Yes |
|--|-----|

Environmental conditions

| | |
|---|-----------------|
| protection class IP / on the front | IP40 |
| ambient temperature <ul style="list-style-type: none">• during operation / minimum• during operation / maximum | -25 °C 70 °C |

- during storage / minimum
- during storage / maximum

-40 °C

80 °C

reference code / according to IEC 81346-2

Q

Approvals / Certificates

General Product Approval



EG-Konf.



[Confirmation](#)



CCC



UL



UL

General Product Approval

EMV

Test Certificates



VDE

[Miscellaneous](#)



RCM

[Special Test Certificate](#)

[Type Test Certificates/Test Report](#)

Marine / Shipping

other

Environment



ABS



RMRS

[Confirmation](#)

[Miscellaneous](#)

[Miscellaneous](#)

[Environmental Confirmations](#)

Further information

Information on the packaging

<https://support.industry.siemens.com/cs/ww/en/view/109813875>

Information- and Downloadcenter (Catalogs, Brochures,...)

<http://www.siemens.com/lowvoltage/catalogs>

Industry Mall (Online ordering system)

<https://mall.industry.siemens.com/mall/en/en/Catalog/product?mlfb=3VA5195-6EC31-0AA0>

Service&Support (Manuals, Certificates, Characteristics, FAQs,...)

<https://support.industry.siemens.com/cs/ww/en/ps/3VA5195-6EC31-0AA0>

Image database (product images, 2D dimension drawings, 3D models, device circuit diagrams, ...)

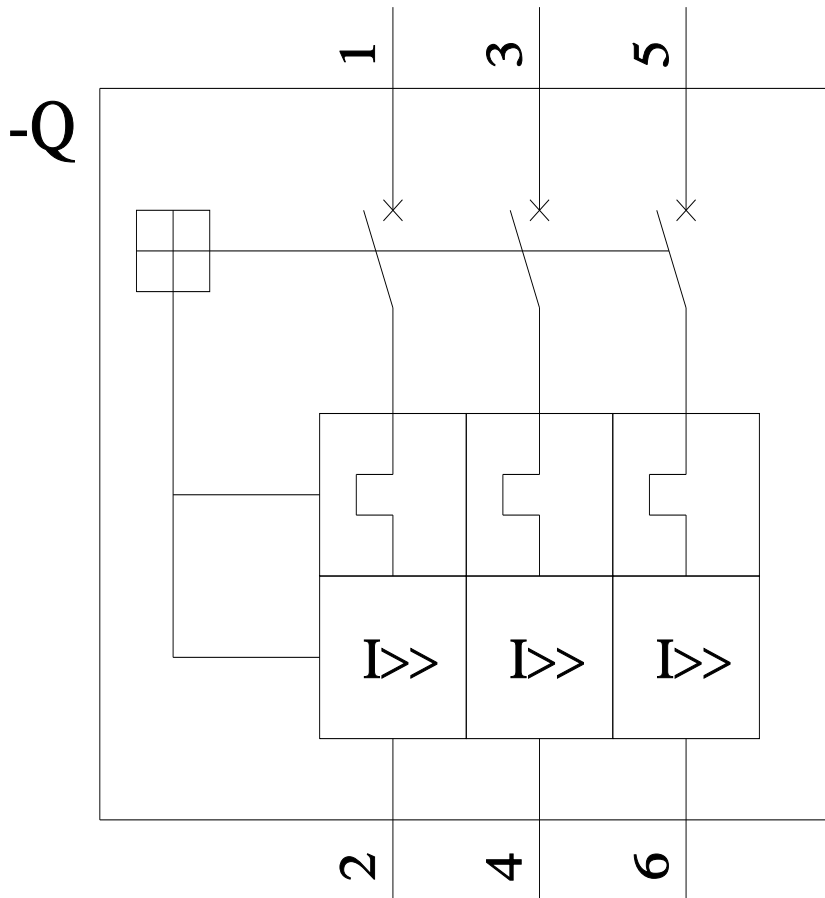
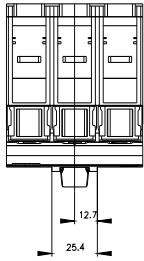
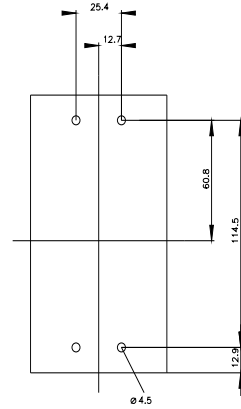
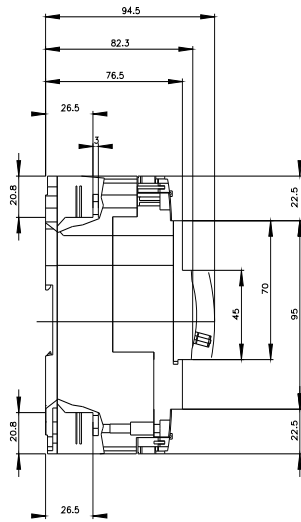
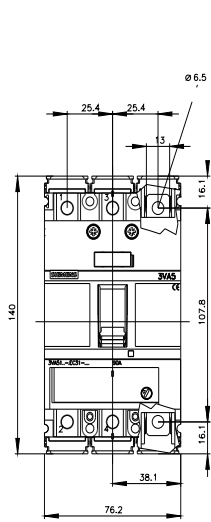
http://www.automation.siemens.com/bilddb/cax_en.aspx?mlfb=3VA5195-6EC31-0AA0

CAX-Online-Generator

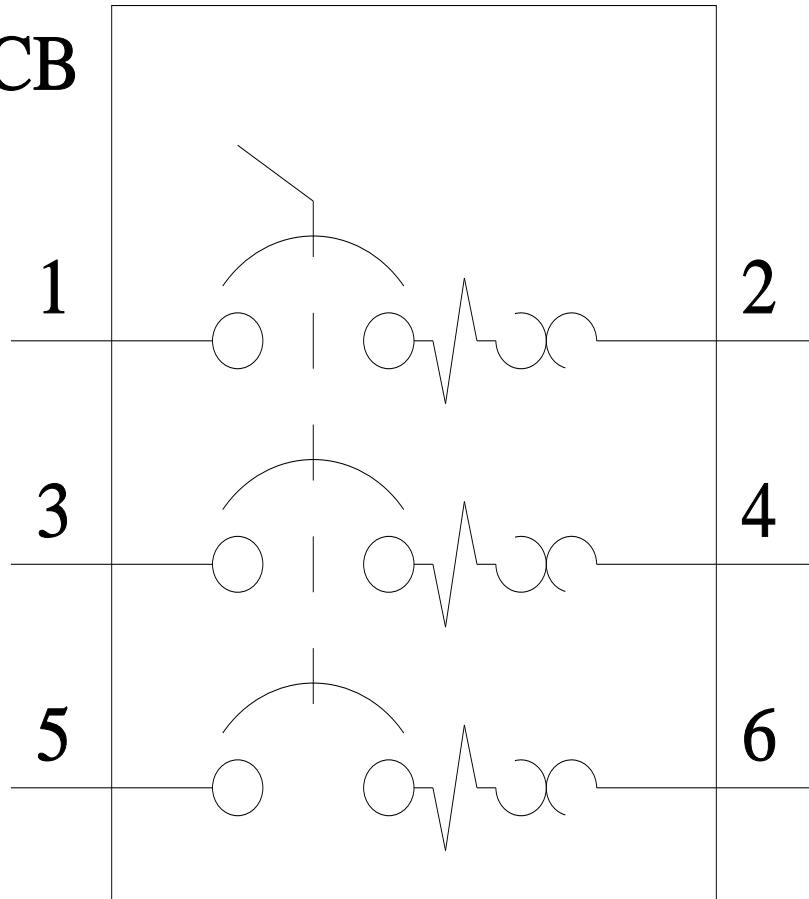
<http://www.siemens.com/cax>

Tender specifications

<http://www.siemens.com/specifications>



CB



last modified:

3/11/2024 

