



actuating unit with rod variable depth, flanged actuator set, comprising: Cr-pl. steel handle NEMA 4/4X black = OFF, black = ON switching mech., mount. depth 8 to 16 inches, accessory for: 3VA53/54; 3VA63/64

Model	
product brand name	SETRON
product designation	Variable depth flange mounted operator
accessories	Variable depth flange mounted operator
General technical data	
degree of protection NEMA rating	4/4X
Certificates	
General Product Approval	EMV



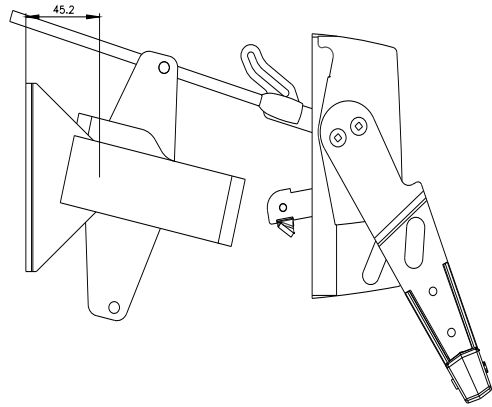
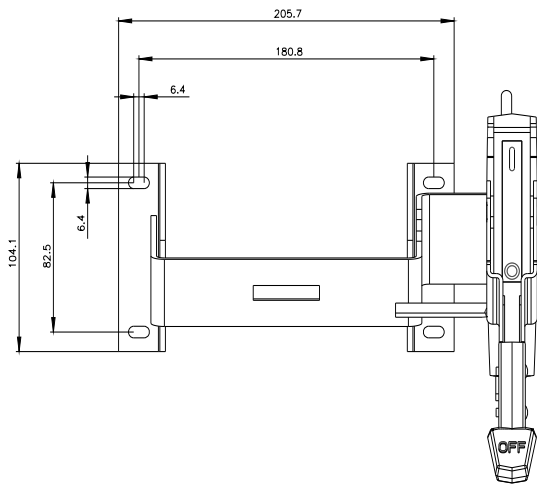
[Miscellaneous](#)



Marine / Shipping	other	Environment			
 LRS	Confirmation	Miscellaneous	Miscellaneous	Environmental Con- firmations	Environmental Con- firmations

Further information

- Information on the packaging
<https://support.industry.siemens.com/cs/ww/en/view/109813875>
- Information- and Downloadcenter (Catalogs, Brochures,...)
<http://www.siemens.com/lowvoltage/catalogs>
- Industry Mall (Online ordering system)
<https://mall.industry.siemens.com/mall/en/en/Catalog/product?mlfb=3VA9478-0DK84>
- Service&Support (Manuals, Certificates, Characteristics, FAQs,...)
<https://support.industry.siemens.com/cs/ww/en/ps/3VA9478-0DK84>
- Image database (product images, 2D dimension drawings, 3D models, device circuit diagrams, ...)
http://www.automation.siemens.com/bilddb/cax_en.aspx?mlfb=3VA9478-0DK84
- CAX-Online-Generator
<http://www.siemens.com/cax>
- Tender specifications
<http://www.siemens.com/specifications>



last modified:

5/26/2024 

