

side wall mounted rot. operator standard IEC IP65 accessory for: 3VA10/11



Model

product brand name	SETRON
product designation	side wall-mounted rotary operator
accessories	Side panel rotary operating mechanism

General technical data

protection class IP	IP65
---------------------	------

Mechanical Design

height	70 mm
--------	-------

Certificates

General Product Approval	EMV	Test Certificates
--------------------------	-----	-------------------



EG-Konf.



[Miscellaneous](#)



RCM

[Type Test Certificates/Test Report](#)

Marine / Shipping	other	Environment
-------------------	-------	-------------



LRS

[Confirmation](#)

[Miscellaneous](#)

[Miscellaneous](#)

[Environmental Confirmations](#)



Environment

[Environmental Confirmations](#)

Further information

Information on the packaging

<https://support.industry.siemens.com/cs/ww/en/view/109813875>

Information- and Downloadcenter (Catalogs, Brochures,...)

<http://www.siemens.com/lowvoltage/catalogs>

Industry Mall (Online ordering system)

<https://mall.industry.siemens.com/mall/en/en/Catalog/product?mlfb=3VA9157-0PK11>

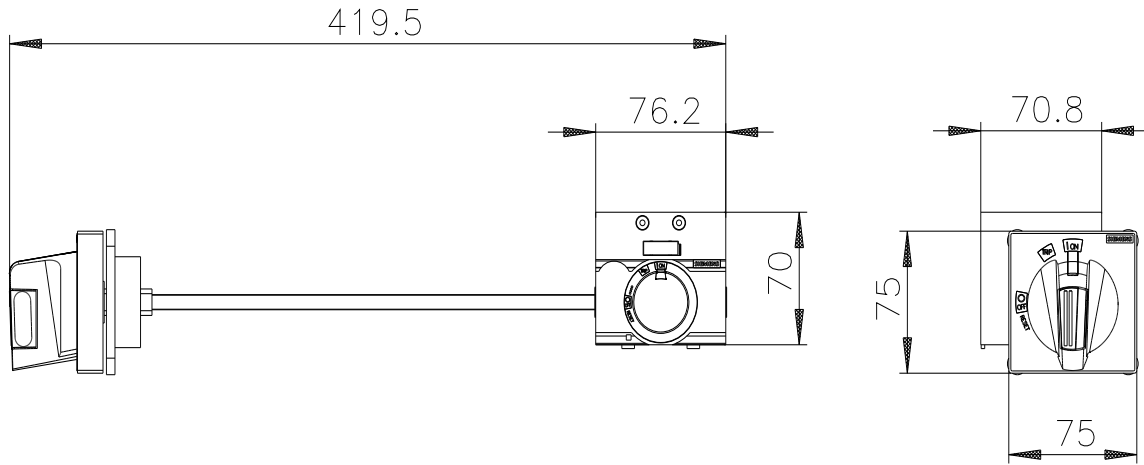
Service&Support (Manuals, Certificates, Characteristics, FAQs,...)

<https://support.industry.siemens.com/cs/ww/en/ps/3VA9157-0PK11>

Image database (product images, 2D dimension drawings, 3D models, device circuit diagrams, ...)

http://www.automation.siemens.com/bilddb/cax_en.aspx?mlfb=3VA9157-0PK11

CAX-Online-Generator



last modified:

8/10/2024 

