

box terminal TS1.4; 3 units 4 AWG...350 kcmil with aux. conductor voltage tap 3 units accessory for: 3VA52



Model	
product brand name	SENTRON
product designation	Box terminal with voltage tap 3 units
accessories	Box terminal
General technical data	
designation / of the terminal	TS1.4
type of electrical connection / with control wire tap	Yes
Connections according IEC	
connectable conductor cross-section	
• for copper cable / stranded / minimum	25 mm ²
• for copper cable / stranded / maximum	185 mm ²
type of connectable conductor cross-sections / of the laminated conductor rails	
• minimum	5 x 15.5mm x 0.8mm, 4 x 20mm x 1mm
• maximum	6 x 15.5 mm x 0.8 mm 6 x 20 mm x 1 mm
stripped length	19 mm
tightening torque / when using copper cables	
• stranded	25 - 35 mm ² : 6 Nm, 50 - 185 mm ² : 12 Nm
• finely stranded	35 mm ² : 6 Nm 50 -150 mm ² : 12 Nm
Connections according UL	
permissible temperature / of connectable conductor / according to UL 486A-486B	75 °C
stripped length	0.75 in
connectable conductor cross-section	
• for copper cable / stranded / minimum	4 AWG
• for copper cable / stranded / maximum	350 kcmil
tightening torque / when using copper cables	
• stranded	4 - 1 AWG: 70 lb-in 1/0 - 350 kcmil: 140 lb-in
Certificates	
General Product Approval	EMV



[Miscellaneous](#)



Marine / Shipping

other

Environment

Further information

Information on the packaging

<https://support.industry.siemens.com/cs/ww/en/view/109813875>

Information- and Downloadcenter (Catalogs, Brochures,...)

<http://www.siemens.com/lowvoltage/catalogs>

Industry Mall (Online ordering system)

<https://mall.industry.siemens.com/mall/en/en/Catalog/product?mlfb=3VA9233-0JH12>

Service&Support (Manuals, Certificates, Characteristics, FAQs,...)

<https://support.industry.siemens.com/cs/ww/en/ps/3VA9233-0JH12>

Image database (product images, 2D dimension drawings, 3D models, device circuit diagrams, ...)

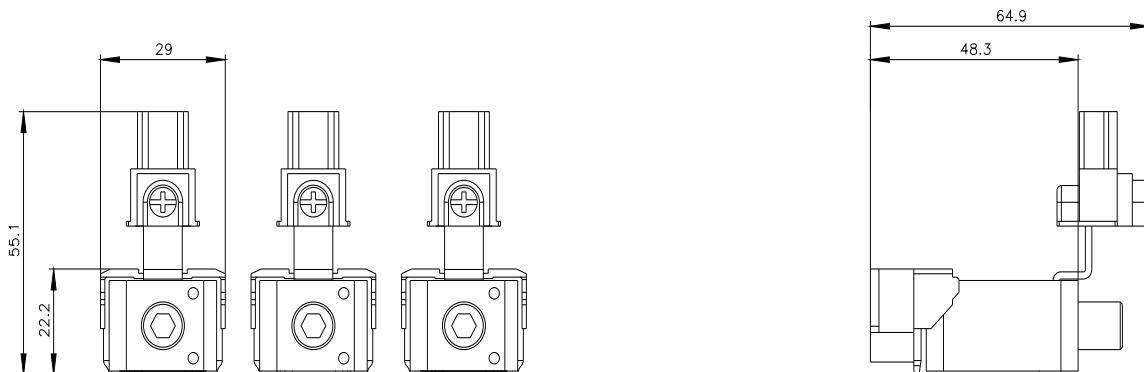
http://www.automation.siemens.com/bilddb/cax_en.aspx?mlfb=3VA9233-0JH12

CAX-Online-Generator

<http://www.siemens.com/cax>

Tender specifications

<http://www.siemens.com/specifications>



last modified:

7/5/2024

