




actuating unit with rod variable depth, flanged actuator set, comprising: epoxy-coated steel handle NEMA 1, 12, 3R black = OFF red = ON switching mechanism mounting depth 8 to 16 inches accessory for: 3VA51

Model	
product brand name	SETRON
product designation	Variable depth flange mounted operator
accessories	Variable depth flange mounted operator
General technical data	
degree of protection NEMA rating	1, 12, 3R
Certificates	
General Product Approval	EMV



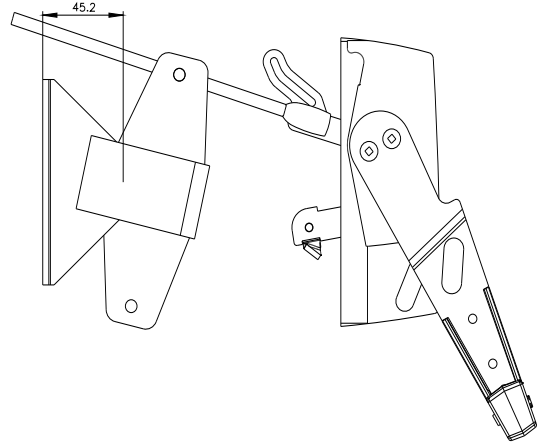
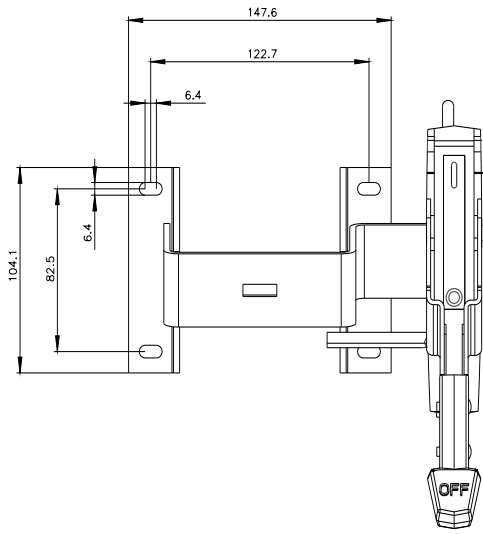
[Miscellaneous](#)



Marine / Shipping	other	Environment			
 LRS	Miscellaneous	Confirmation	Miscellaneous	Environmental Con- firmations	Environmental Con- firmations

Further information

- Information on the packaging
<https://support.industry.siemens.com/cs/ww/en/view/109813875>
- Information- and Downloadcenter (Catalogs, Brochures,...)
<http://www.siemens.com/lowvoltage/catalogs>
- Industry Mall (Online ordering system)
<https://mall.industry.siemens.com/mall/en/en/Catalog/product?mlfb=3VA9138-0DK72>
- Service&Support (Manuals, Certificates, Characteristics, FAQs,...)
<https://support.industry.siemens.com/cs/ww/en/ps/3VA9138-0DK72>
- Image database (product images, 2D dimension drawings, 3D models, device circuit diagrams, ...)
http://www.automation.siemens.com/bilddb/cax_en.aspx?mlfb=3VA9138-0DK72
- CAX-Online-Generator
<http://www.siemens.com/cax>
- Tender specifications
<http://www.siemens.com/specifications>



last modified:

5/26/2024 