




operator kit with Bowden cable Max-Flex operator complete kit comprising: steel handle epoxy-coated NEMA 1, 12, 3R black = OFF, red = ON Bowden cable length 1.2 m (48") switching mechanism accessory for: 3VA55; 3VA65/66 only for the UL market only for UL applications not approved for IEC

Model	
product brand name	SETRON
product designation	operator unit Max-Flex, complete kit
accessories	Operating unit
General technical data	
degree of protection NEMA rating	1, 3R, 12
Certificates	
General Product Approval	EMV



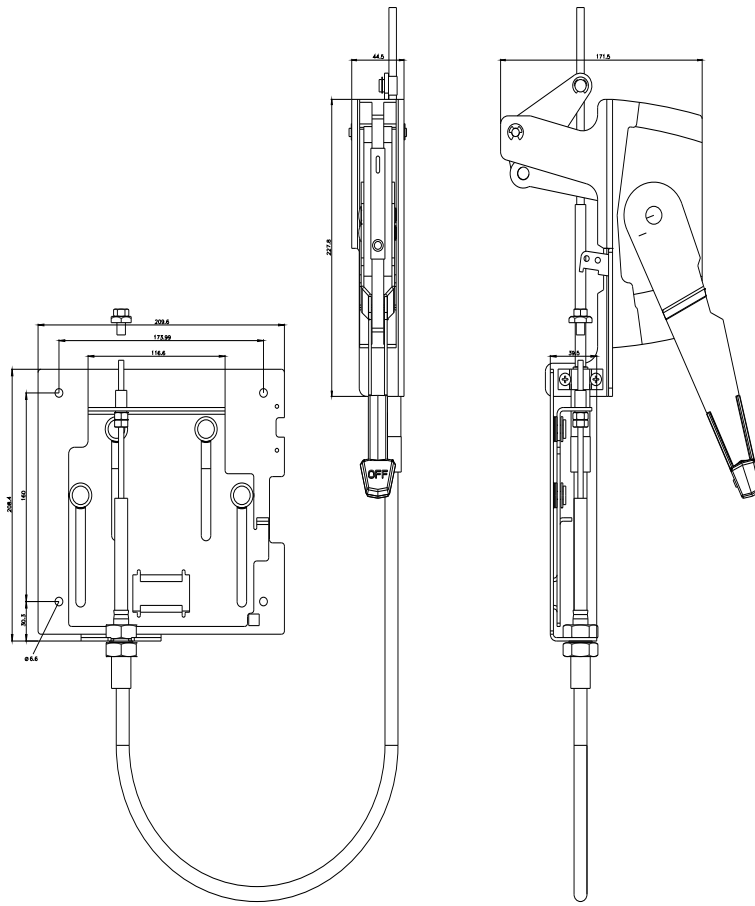
[Miscellaneous](#)



Marine / Shipping	other	Environment			
 LRS	<a href="#">Miscellaneous</a>	<a href="#">Confirmation</a>	<a href="#">Miscellaneous</a>	<a href="#">Environmental Con- firmations</a>	<a href="#">Environmental Con- firmations</a>

### Further information

- Information on the packaging  
<https://support.industry.siemens.com/cs/ww/en/view/109813875>
- Information- and Downloadcenter (Catalogs, Brochures,...)  
<http://www.siemens.com/lowvoltage/catalogs>
- Industry Mall (Online ordering system)  
<https://mall.industry.siemens.com/mall/en/en/Catalog/product?mlfb=3VA9677-0CK72>
- Service&Support (Manuals, Certificates, Characteristics, FAQs,...)  
<https://support.industry.siemens.com/cs/ww/en/ps/3VA9677-0CK72>
- Image database (product images, 2D dimension drawings, 3D models, device circuit diagrams, ...)  
[http://www.automation.siemens.com/bilddb/cax\\_en.aspx?mlfb=3VA9677-0CK72](http://www.automation.siemens.com/bilddb/cax_en.aspx?mlfb=3VA9677-0CK72)
- CAX-Online-Generator  
<http://www.siemens.com/cax>
- Tender specifications  
<http://www.siemens.com/specifications>



last modified:

8/10/2024 