



Day-Brite / CFI NWL LED wraparound is an economical surface mount general illumination luminaire for use in commercial and residential applications. The slender form and frosted lens create an appealing visual aesthetic. The built-in occupancy sensor, lumen and color selectable light light output offer complete versatility.

Project: \_\_\_\_\_  
 Location: \_\_\_\_\_  
 Cat.No: \_\_\_\_\_  
 Type: \_\_\_\_\_  
 Qty: \_\_\_\_\_  
 Notes: \_\_\_\_\_



### Ordering guide

Example: **NWL43050L8CST-UN3-DIM**

Family	Size	Lumens <sup>1</sup> (nominal)	CST	Voltage <sup>2</sup>	Driver
<b>NWL</b>			<b>8CST</b> —	—	<b>DIM</b>
NWL Wraparound LED dual select	2 2' length <sup>2</sup> 4 4' length 8 8' length	<b>1525L</b> 15/20/25lm field selectable <b>3050L</b> 30/40/50lm field selectable <b>60100L</b> 60/80/100lm field selectable	<b>8CST</b> 80 CRI, Color Select (3500/4000/5000K)	<b>UNV</b> 120-277V <sup>2</sup> <b>UN3</b> 120-347V	<b>DIM</b> 0-10v dimming

- Nominal delivered lumens at 25°C ambient.
- 2ft option is only offered in 120-277V (UNV) / 4ft & 8ft are only offered in 120-347V (UN3)

### Features

- White polycarbonate housing for durability.
- Frosted polycarbonate lens for even, low glare lighting.
- Hardware for surface mounting included.
- Easy installation with holes provided in housing.
- Can be surface mounted on ceilings or walls or suspended via chain, pendants or cables. Pendant suspension requires junction box and is not recommended for 8ft units.
- Power interconnect (both flush and 12" cable) provided to link fixtures together if desired.
- Voltage  
2ft 120-277V (UNV) only  
4ft & 8ft 120-347V (UN3) only
- Default factory settings: Lumens - Highest available lumens / CCT - 4000K
  - Field CCT selectable for 3500K, 4000K, or 5000K.
  - Field lumen selectable for 15/20/25lm, 30/40/50lm, or 60/80/100lm.

### Occupancy sensor

Occupancy sensor comes standard with all sizes. Integrate PIR occupancy sensor with three alternative settings to chose from:

- 0-10V dimming driver control**
  - PIR Sensor fully OFF
  - Default factory setting
- PIR Mode 1**
  - When movement detected 100%, when no movement is detected dims to 20%
- PIR Mode 2**
  - When movement detected 100%, when no movement is detected dims to OFF

### Labels

Suitable for damp locations.

cETLus listed to meet UL 1598 standards for -10°C to 35°C ambient.

DesignLights Consortium qualified. Please see the DLC QPL list for exact catalog numbers <http://www.designlights.org/QPL>

### Warranty

5 year manufacturer's limited warranty. Visit [www.signify.com/warranties](http://www.signify.com/warranties) for complete warranty information.

### Accessories (order separately)

- HCH5-VHOOK** 5' Cable hanger set (pair) - Includes two 5' hanging cables with "V" hooks
- HCH10-VHOOK** 10' Cable hanger set (pair) - Includes two 10' hanging cables with "V" hooks
- HCH15-VHOOK** 15' Cable hanger set (pair) - Includes two 15' hanging cables with "V" hooks
- HCH20-VHOOK** 20' Cable hanger set (pair) - Includes two 20' hanging cables with "V" hooks
- HNH5-VHOOK** 54" Chain hanger set (pair) - Includes two 54" heavy duty link chains with "V" hooks

### General Notes

All options are factory installed.

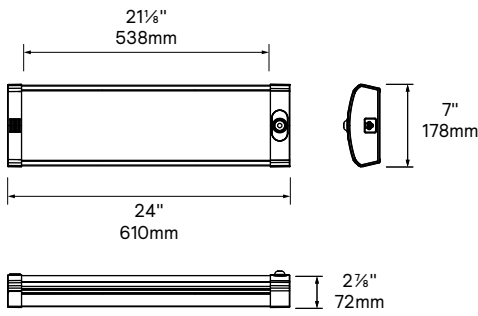
Many luminaire components, such as reflectors, lenses, sockets, lampholders, and LEDs are made from various types of plastics which can be adversely affected by airborne contaminants. If sulfur based chemicals, petroleum based products, cleaning solutions, or other contaminants are expected in the intended area of use, consult factory for compatibility.



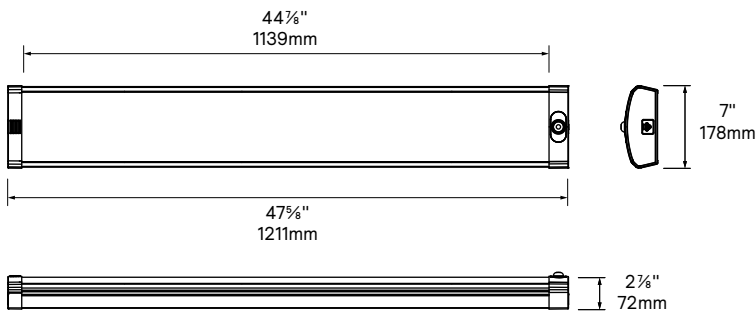
# NWL LED Wraparound

2', 4' & 8'

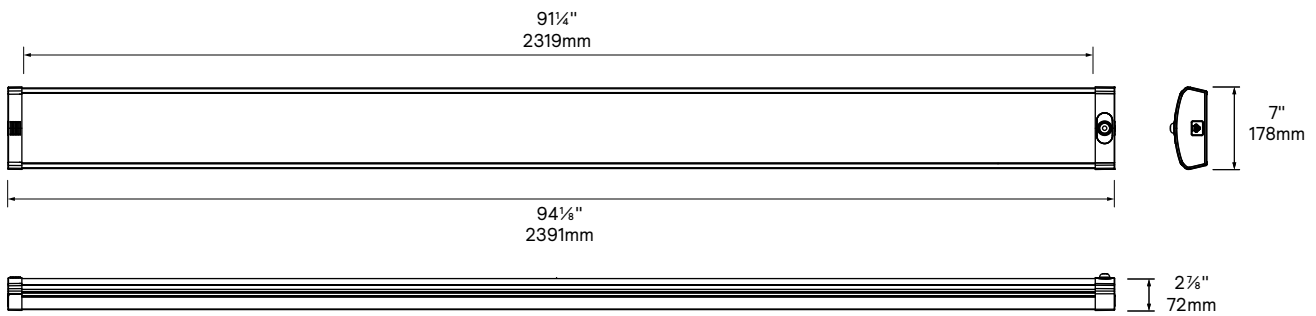
## NWL 2ft



## NWL 4ft



## NWL 8ft

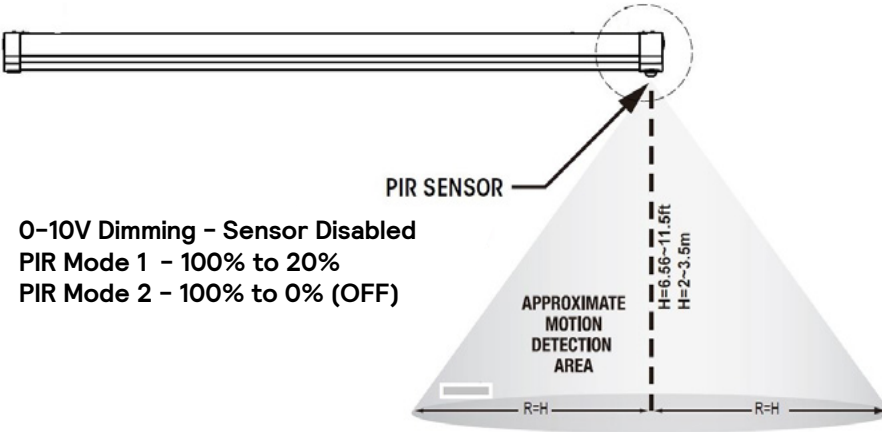


# NWL LED Wraparound

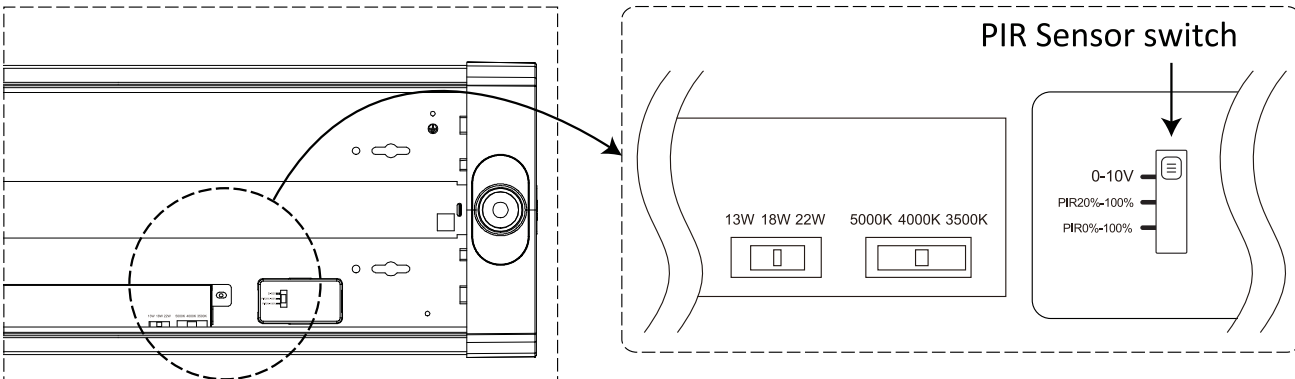
2', 4' & 8'

## Details

### Sensor Detection



### Switch and Sensor



### Linking

