

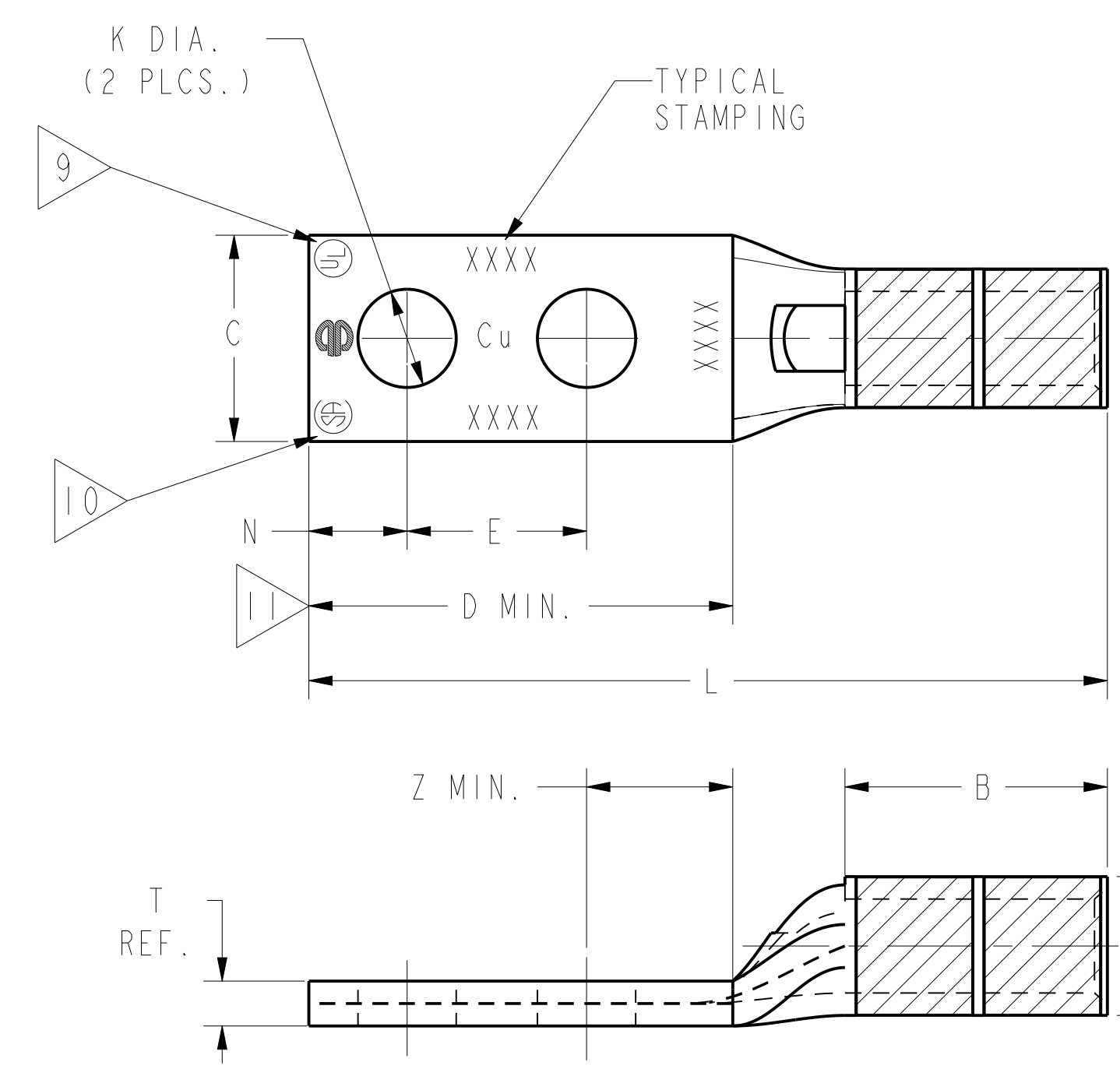
CATALOG NUMBER	STRANDED COPPER CONDUCTOR ACCOMMODATED			BOLT SIZE	METRIC BOLT SIZE	DIMENSIONS								
	CODE (AWG)	NAVY	METRIC SIZE (CLASS 2)			B	C	E	K DIA.	L	N	O.D.	T REF.	Z MIN.
YA332L	450 kcmil	-----	-----	3/8	-----	1.50 [38]	1.48 [38]	1.06 [27]	.40 [10]	4.14 [105]	.41 [10]	1.01 [26]	.21 [5]	.42 [11]
YA332LN				1/2	M12	1.50 [38]	1.48 [38]	1.75 [44]	.56 [14]	5.23 [133]	.63 [16]	1.01 [26]	.21 [5]	.64 [16]
YA342L2TC14E2	500 kcmil	-----	240mm <sup>2</sup> STR [23.1]	1/4	M6	1.27 [32]	1.55 [39]	.75 [19]	.27 [7]	3.44 [87]	.31 [8]	1.06 [27]	.23 [6]	.33 [8]
YA342L				3/8	-----	1.06 [27]	.40 [10]	3.94 [100]	.41 [10]	1.06 [27]	.23 [6]	.42 [11]		
YA342L2TC38				3/8	M10	1.00 [25]	.41 [10]	3.88 [99]	.41 [10]	1.06 [27]	.23 [6]	.42 [11]		
YA342L2NTC38				3/8	M10	1.75 [44]	.41 [10]	4.63 [118]	.41 [10]	1.06 [27]	.23 [6]	.42 [11]		
YA342L2TC12				1/2	M12	1.25 [32]	.52 [13]	4.38 [111]	.53 [13]	1.06 [27]	.23 [6]	.55 [14]		
YA342L2TC12E11				1/2	M12	2.00 [51]	.52 [13]	5.13 [130]	.53 [13]	1.06 [27]	.23 [6]	.55 [14]		
YA342LN				1/2	M12	1.75 [44]	.56 [14]	5.06 [129]	.63 [16]	1.06 [27]	.23 [6]	.64 [16]		

CONNECTOR SIZE	TOLERANCES						
	B	C	E	K DIA.	L	N	O.D.
-8C THRU -25	±.06	±.04	±.02	±.02	±.09	±.03	±.01
-26 THRU -34	±.08	±.04	±.02	±.02	±.12	±.03	±.01
-35 AND UP	±.09	±.06	±.02	±.02	±.15	±.06	±.01

TOLERANCE BLOCK

CATALOG NO.	COLOR CODE	DIE INFORMATION		MECHANICAL				HYDRAULIC						DIELESS (# CRIMPS)	WIRE STRIP LENGTH
		DIE INDEX	TYPE	YIMRTC	OUR840	MD6 MD7	MD6--R2 MD7-34R	Y34A Y34B Y34BH	Y35, Y39 Y750, PAT750	Y46 PAT46	Y45	Y48B	Y60BHU		
YA332L	GRAY	326	GRAY DIE SET	-----	-----	-----	W33RT (2) W33VT (2)	-----	U33RT(2)	U33RT(2)	U33RT(2)	-----	L33RT (1)	HYDRAULIC: Y81KFT(2) Y4PC834(2) Y644(1)	1-9/16"
YA332LN		538	NEST INDENTOR	-----	-----	-----	-----	B33D (1) A33D (1) Y34PR	U33D-1 (1) Y34PR	U33D-1 (1) Y34PR	U33D-1 (1) Y34PR	C33D (1) Y48PR	-----		
YA342L2TC14E2 YA342L YA342L2TC38 YA342L2NTC38 YA342L2TC12 YA342L2TC12E11 YA342LN	BROWN	20	BROWN DIE SET	-----	-----	-----	W34RT (2) W34VT (2)	-----	U34RT (2) U31ART(1)	U34RT (2) U31ART(1)	U34RT (2) U31ART (1)	C34R (1) C31AR(1)	L34RT (1)		1-7/16"
		299	NEST INDENTOR	-----	-----	-----	-----	B34D (1) A34D (1) Y34PR	U34D-1(1) Y34PR	U34D-1(1) Y34PR	U34D-1 (1) Y34PR	C34D (1) Y48PR	-----		

- NOTES:
- MATERIAL: COPPER TUBING.
  - FINISH: TIN PLATED. FOR SILVER PLATING ADD SUFFIX "SV" TO CAT#.
  - CATALOG # PT6515 ADAPTOR IS REQUIRED TO USE "U" DIES IN Y45 SERIES TOOLS.
  - CATALOG # PUADP-1 ADAPTOR IS REQUIRED TO USE "U" DIES IN Y46 SERIES TOOLS.
  - Y35P3 INDENTOR ADAPTOR REQUIRED FOR Y34PR INDENTOR.
  - PERMANENT DIE IN TOOLING.
  - DIMENSIONS IN BRACKETS [ ] ARE IN MILLIMETERS ROUNDED OFF TO THE NEAREST MILLIMETER, UNLESS OTHERWISE NOTED, AND ARE FOR REFERENCE ONLY.
  - FOR USE BY CUSTOMERS THAT HAVE THIS HYPRESS. NO NEW Y34A HYPRESS TOOLS ARE BEING PROCESSED. Y34A USES A-D TYPE NEST DIES.
  - CONNECTORS ARE UL LISTED; UNDRILLED VERSIONS ARE NOT UL LISTED.
  - CONNECTORS ARE CSA CERTIFIED; UNDRILLED VERSIONS ARE NOT CSA CERTIFIED.
  - FOR UNDRILLED VERSIONS ADD SUFFIX "-U" TO END OF CATALOG NUMBER. FOR UNDRILLED VERSIONS, USE D MIN. = N MAX. + E MIN. + Z MIN.
  - "X", "W-RT", "W-VT", "U", & "L" DIE SETS ARE COLOR CODED. "A", "B", AND "C" DIES ARE NOT COLOR CODED. NESTS AND INDENTOR TYPE ARE NOT COLOR CODED.



13. FINISH: TIN PLATED. THE FOLLOWING SUFFIXES DENOTE OPTIONAL PLATING TYPES. BR = BARE; LD = LEAD; NK = NICKEL; SV = SILVER. ( EXAMPLE: YAV4CL2TC14NK)

REFERENCE: SE209512  
SUPERSEDES: SC91923

TO ORDER BURNDY® PRODUCTS CALL		HYLUG™ COPPER	
UNITED STATES 1-800-346-4175 (LONDONDERRY, NH)		ITEM NO: N/A	CAT. NO: YA--2L-, YA--2TC- (TABLE)
CANADA: 1-800-361-6975 (QUEBEC) 1-800-387-6487 (ALL OTHER PROVINCES)		DRAWN BY: J.MICHAUD 11/18/94	CHECKER: D.FILLION 11/18/94
FOR PRODUCT INFO: <a href="http://www.burndy.com">http://www.burndy.com</a>		DSN APPVL: C.PALAGI 10/24/94	MFG APPVL: -- --
		GA APPVL: C.ACKERMAN 11/17/94	MKT APPVL: T.NELSON 11/10/94
		PROD FAM: CM&R COMPRESSION	DRAWING NO: SD035209
		PROJECT #: --	SCALE: NTS
		DOCUMENT TYPE: Sales	REV: H
		REL LEVEL: Released	SHEET 11 OF 18

REV: PEC200