

REV.	DATE	DESCRIPTION	ECO	BY	C.H.K.
C	04/28/2017 15:16:00 PM	LOGO UPDATE	46590	BK	MB

\*\*\* BILL OF MATERIAL \*\*\*

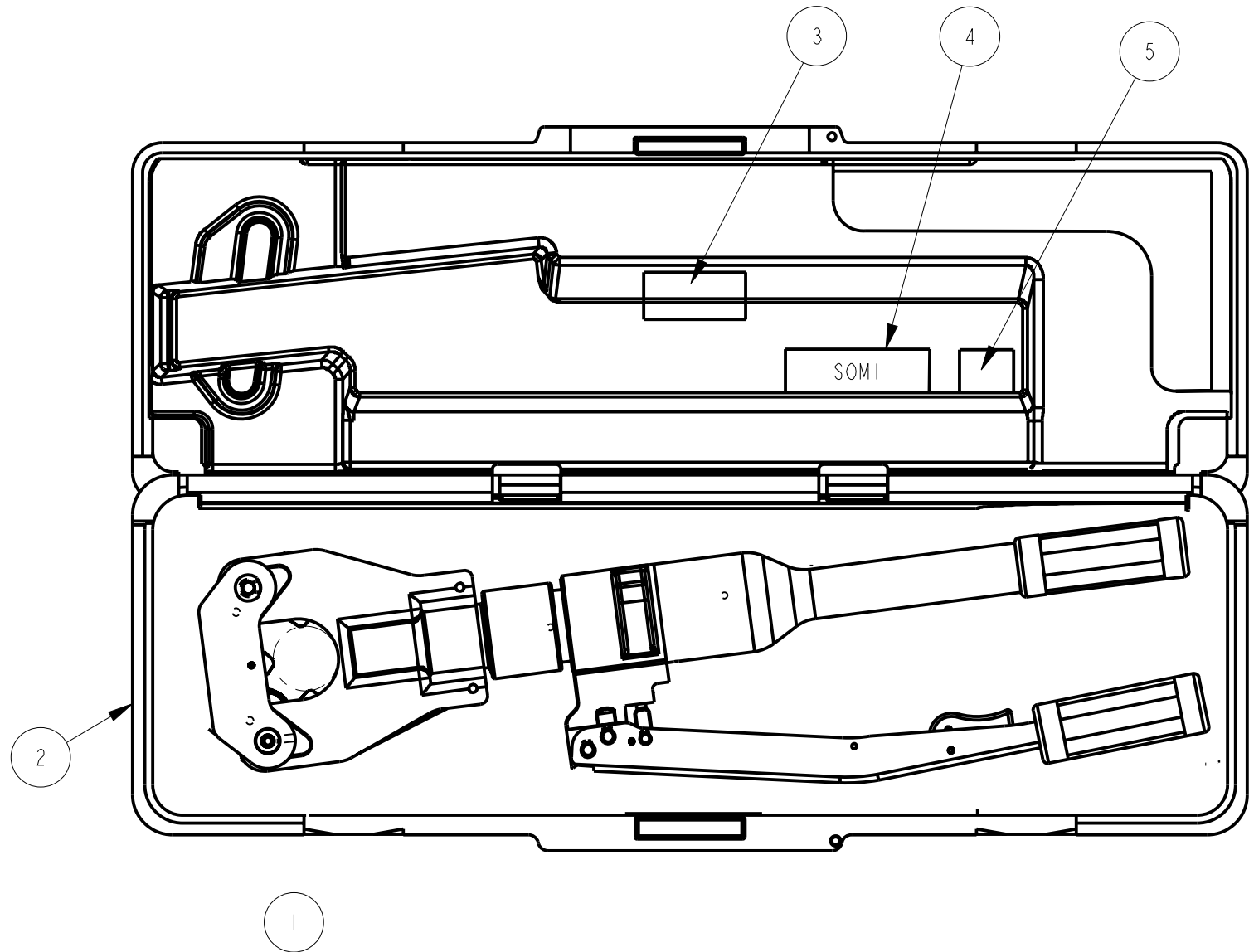
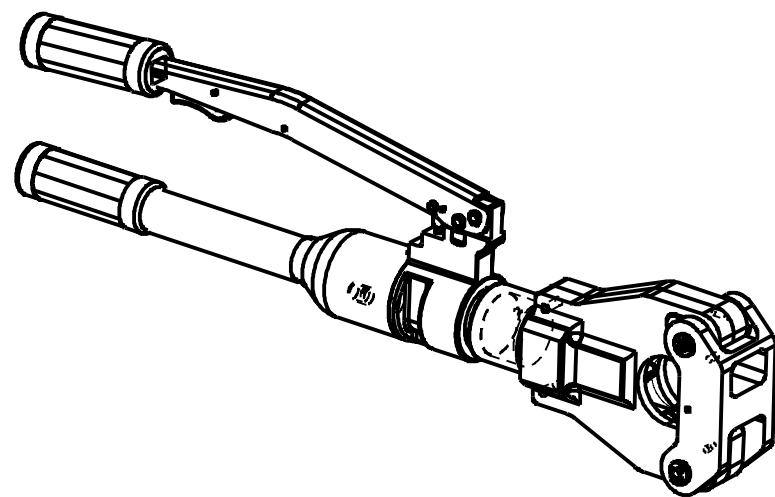
PT. #	ITEM NO.	CATALOG NO.	QTY.	DESCRIPTION
1	10046729	Y81KFT	1	SELF CONTAINED 4 POINT TOOL
2	10050732	PT10050733	1	CARRY CASE Y81FT
3	10050706	PT10050706	1	LABEL, CASE OUTER K81FT
4	10050709	Y81KFTOMI	1	SOMI, 81KFT
5	428087	PT20443801	1	FIVE YEAR WARRANTY CARD

SPECIFICATIONS - TOOL

Output Force:.....6 TONS (5.4 METRIC TONS)  
 Weight:.....12 lbs. (5.44 kg)  
 Length.....25.6" (651 mm)  
 Height.....7.7" (196 mm)  
 Width.....2.5" (64 mm)

FEATURES AND BENEFITS

Features	Benefits
- Flip latch head	- Provides easy tool removal from continuous conductors.
- Dieless system	- Eliminates the need to purchase and maintain dies.
- 360 Degree rotational head	- Versatile tool head positioning, allows user access into tight areas with ease.
- "Pop-off" pressure relief valve	- Provides audible indication that crimp is complete.
- Comfort grip handles	- Helps ease fatigue with continuous use.
- High speed ram advance	- Provides faster crimp.
- Handle trigger drain	- Convenient ram retraction.



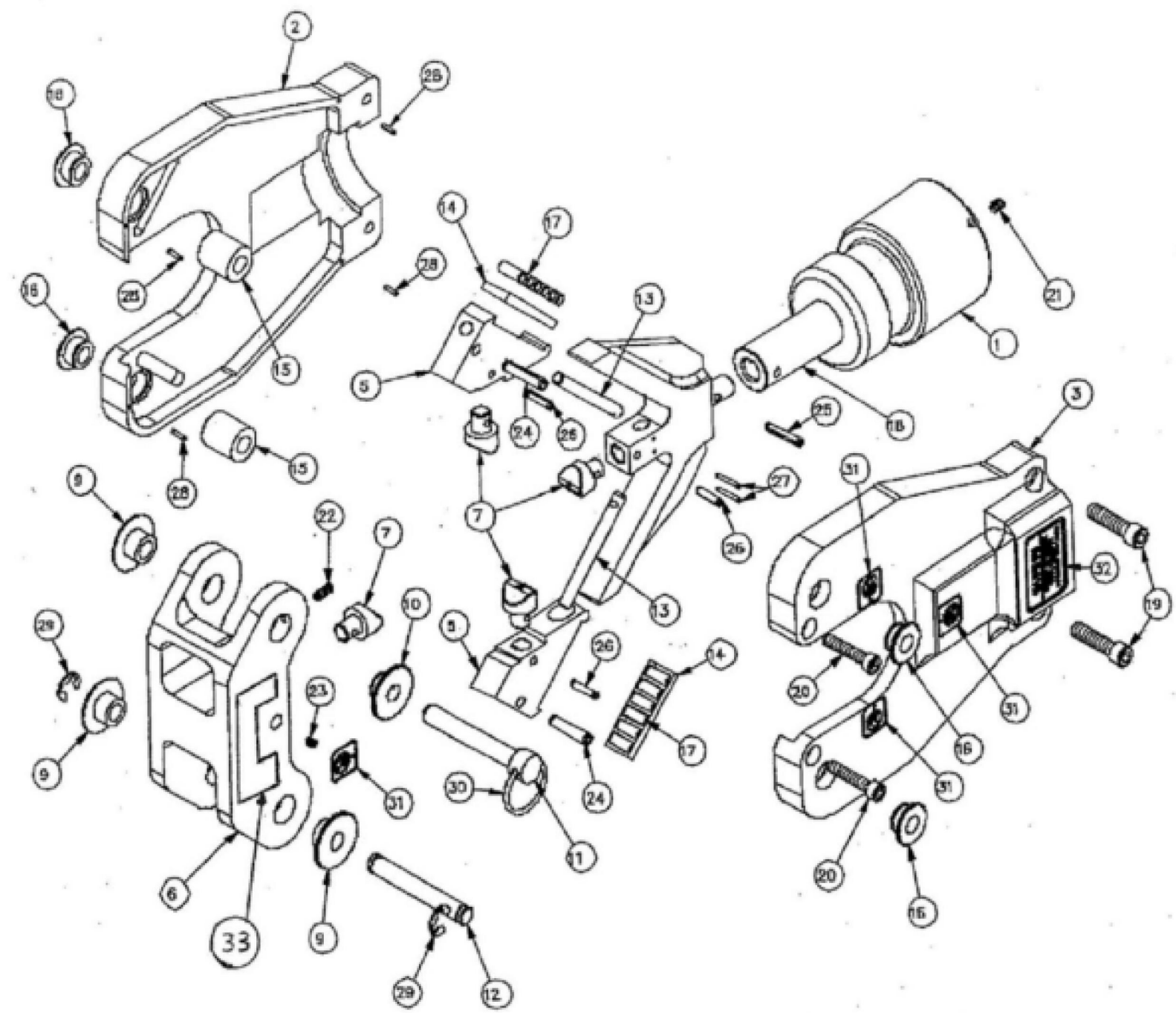
REV: PE0200

TO ORDER BURNDY® PRODUCTS CALL  
 UNITED STATES:  
 1-800-346-4175 (LONDONDERRY, NH)  
 CANADA:  
 1-800-361-6975 (QUEBEC)  
 1-800-387-6487 (ALL OTHER PROVINCES)  
 FOR PRODUCT INFO: <http://www.burndy.com>

4 POINT SELF CONTAINED		SCALE: 1:4	
ITEM NO: 10046729		DRAWING NO	
CAT. NO: Y81KFT		REV	
DRAWN BY: P LAPONIUS	01/06/2006	<b>BURNDY</b>	
CHECKER: D BOISVERT	01/06/2006		
DSN APPVL: J AYER	01/05/2006		
MFG APPVL: S GONYAW	01/05/2006		
QA APPVL: C MELANSON	01/05/2006		
MKT APPVL: R BROOKS	01/05/2006		
PROD FAM: TOOLS, HYDRAULIC			
PROJECT #: 13217	SIZE	10063553	
DOCUMENT TYPE: Sales	B		C
REL LEVEL: Released		SHEET 1 OF 2	

REV.	DATE	DESCRIPTION	ECO	BY	C.H.K.
C	04/28/2017 15:16:00 PM	LOGO UPDATION	46590	BK	MB

ITEM	ITEM NO.	QTY	DESCRIPTION
1	RPHC134D15	1	HEAD ADAPTER
2	RPHC134D1611	1	LEFT HOUSING
3	RPHC134D1711	1	RIGHT HOUSING
4	RPHC134D18	1	SLIDE
5	RPHC134D19	2	JAW
6	RPHC134D311	1	HINGE
7	RPHC134D21	4	INDENTOR W/LOGO
8	N/A		
9	RPHC134D7A	3	BUSHING
10	RPHC134D7B	1	BUSHING
11	RPHC134D8	1	LOCK PIN
12	RPHC134D9	1	HINGE PIN
13	RPHC134D10	2	PIN
14	RPHC134D11	2	BEARING CASE
15	RPHC134D12	2	ROLL BUSHING
16	RPHC134D13	4	BODY BUSHING
17	RP6D1003	12	3/16 X 1/2 DOWEL PIN
18	PT10047194	1	PISTON RAM
19	25CX100SHCS	2	1/4-20 X 1.00 SOCKET HEAD CAP SCREW
20	10FX100SHCS	2	10-32 X 1.00 SOCKET HEAD CAP SCREW
21	RPID1739	2	8-32 X 1/4 CUP POINT SET SCREW
22	RPID1170	1	8-32 X 3/8 BALL PLUNGER
23	RPID1017	1	6-32 X 3/16 FLAT POINT SET SCREW
24	19X88STDWL	2	3/16 X 7/8 ROLL PIN
25	125X75RLPN	1	1/8 X 3/4 SPRING PIN
26	RP6D1023	3	1/8 X 9/16 SPRING PIN
27	062X50RLPN	2	1/16 X 1/2 SPRING PIN
28	062X31RLPN	4	1/16 X 5/16 SPRING PIN
29	RP4D1058	2	E RING (E-31)
30	RP4D1325	1	1.00 KEY RING
31	RPPH102DWL	8	WARNING LABEL
32	RPHC134DCL	2	CAUTION LABEL
33	RPHC134PL	2	CONNECTOR PLACEMENT LABEL



REV: PE0200

TO ORDER BURNDY® PRODUCTS CALL  
 UNITED STATES:  
 1-800-346-4175 (LONDONDERRY, NH)  
 CANADA:  
 1-800-361-6975 (QUEBEC)  
 1-800-387-6487 (ALL OTHER PROVINCES)  
 FOR PRODUCT INFO: <http://www.burndy.com>

4 POINT SELF CONTAINED	
ITEM NO: 10046729	
CAT. NO: Y81KFT	
DRAWN BY: P LAPONIUS 01/06/2006	
CHECKER: D BOISVERT 01/06/2006	
DSN APPVL: J AYER 01/05/2006	
MFG APPVL: S GONYAW 01/05/2006	
QA APPVL: C MELANSON 01/05/2006	
MKT APPVL: R BROOKS 01/05/2006	
PROD FAM: TOOLS, HYDRAULIC	SCALE: 3:8
PROJECT #: 13217	DRAWING NO
DOCUMENT TYPE: Sales	10063553
REL LEVEL: Released	B
	SHEET 2 OF 2
	C