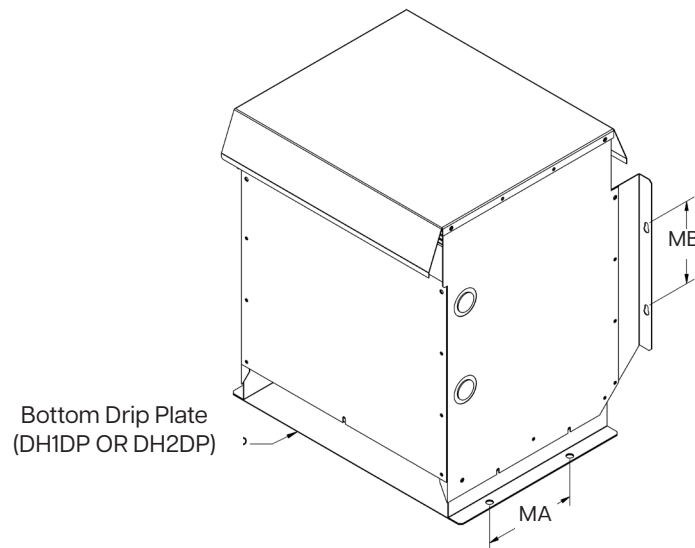


# WALL MOUNTING KITS

## Wall Mounting Kits

The CN1, CN2 and CN3 enclosures are designed with optional wall mounting capabilities. The “MB” dimensions listed in the table below indicate the location for the wall mounting hardware. The “MA” dimensions shown in the figure indicate the locations for the drip plate mounting hardware.

Note: When mounting the CN1, CN2, or CN3 type enclosures on the wall, a bottom drip plate must also be installed as shown in the attached drawing. Please refer to CSA 22.2 No. 47-2013 requirements. The installation of these transformers above floor level without a bottom drip plate is not permitted. All mounting hardware should be rated Grade 8 or higher.



## INDIVIDUAL KITS

### Mounting Kits

Mounting Kit P/N	Enclosure Style	MB Dimension Inches [mm]
CNW	CN1, CN2, CN3	10.00 [254]

### Drip Plate Kits

Drip Plate Kit P/N	Enclosure Style	MA Dimension Inches [mm]
CN1DP	CN1	10.50 [267]
CN2DP	CN2	10.50 [267]
CN3DP	CN3	10.50 [267]

## Complete Kits

### MOUNTING & DRIP PLATE KITS

Part Number	Enclosure Style	Kits Included	Part Description
CNWDP1	CN1	CNW & CN1DP	Set of wall mounting and drip plate kits
CNWDP2	CN2	CNW & CN2DP	
CNWDP3	CN3	CNW & CN3DP	

# ANTI-VIBRATION PAD & VIBRATION ISOLATOR KITS

## Anti-Vibration Pad and Vibration Isolator Kits

All standard transformers come with installed internal vibration absorbing pads to minimize noise during operation. Optional external “anti-vibration” pad and “vibration isolator” (for higher noise dampening) kits can be used to reduce operating noise even further. All pads are resistant to industrial contaminants like oil, acids and alkalines.

### ANTI-VIBRATION PAD KITS

Part No.	Case Style	Description
PD1	CN1-CN6	Set of four (4) rubber anti-vibration pads which replace the standard steel enclosure washers.
PD2	CN7	



All anti-vibration pad kits and vibration isolator kits contain a set of four (4) pads or isolators. Therefore only one kit is required per transformer.

### VIBRATION ISOLATOR KITS

Part No.	Transformer Weight Lbs [kg]	Description
NMP1	Up to 340 lbs [153]	Set of four (4) molded neoprene and steel plate assemblies that virtually eliminate vibration noise between the transformer and the mounting surface.
NMP2	341 to 680 lbs [154 to 307]	
NMP3	681 to 1040 lbs [308 to 470]	
NMP4	1041 to 1740 lbs [472 to 789]	
NMP5	1741 to 2330 lbs [788 to 1055]	
NMP6	2331 to 3450 lbs [1056 to 1563]	
NMP7	3451 to 4690 lbs [1564 to 2127]	



All All anti-vibration pad kits and vibration isolator kits contain a set of four (4) pads or isolators. Therefore only one kit is required per transformer.