



SmartTWO™ Spacer Kit

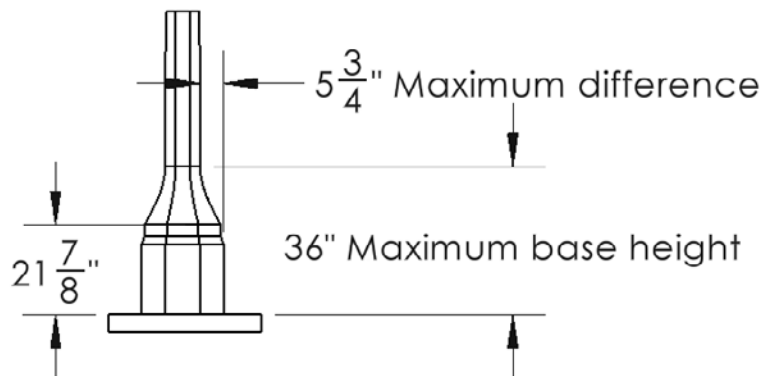
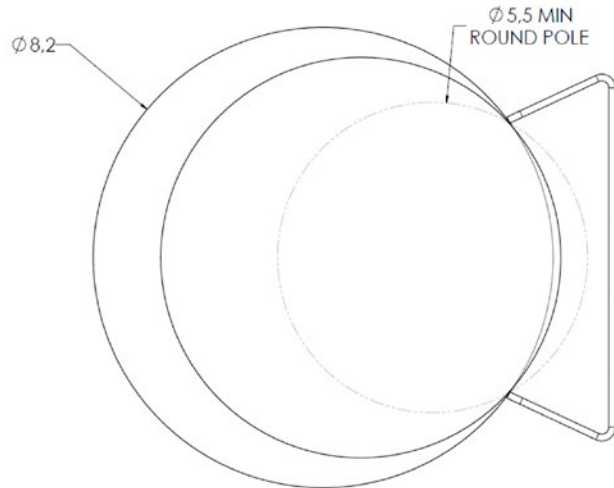
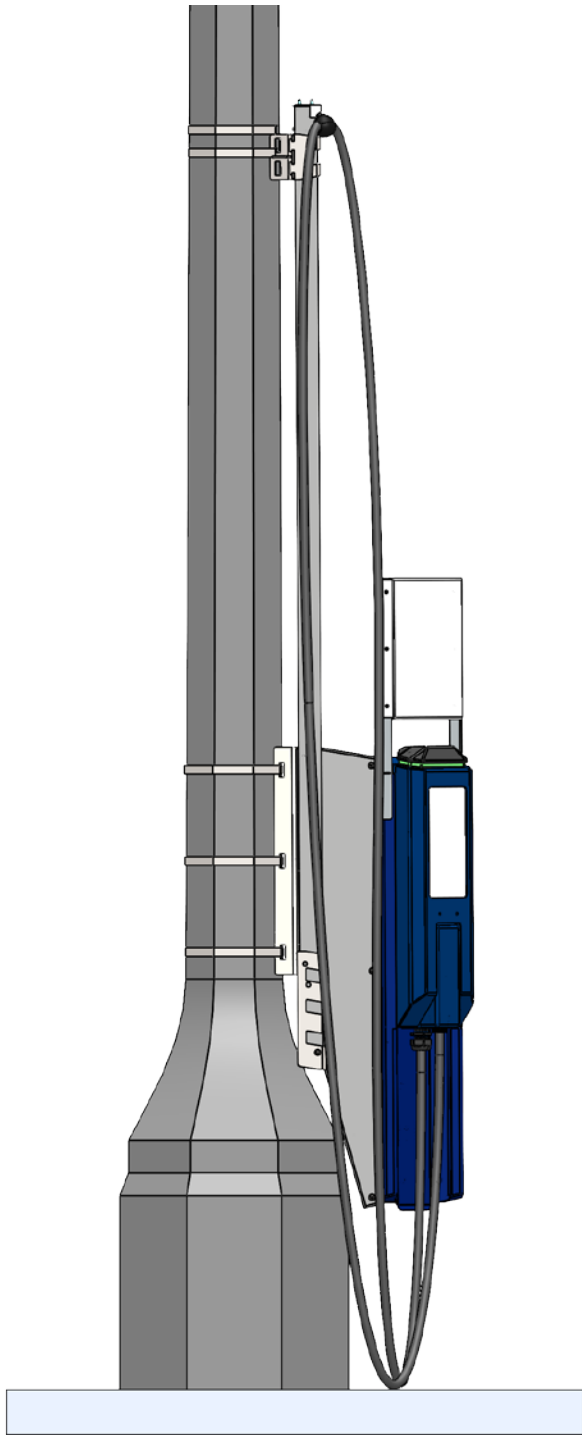
Installation Guide
for Pole Mount
Configurations

Table of contents

Spacer Box Installation Guide.....	4
Components.....	5
Charger Orientation.....	6
Installation Steps.....	7

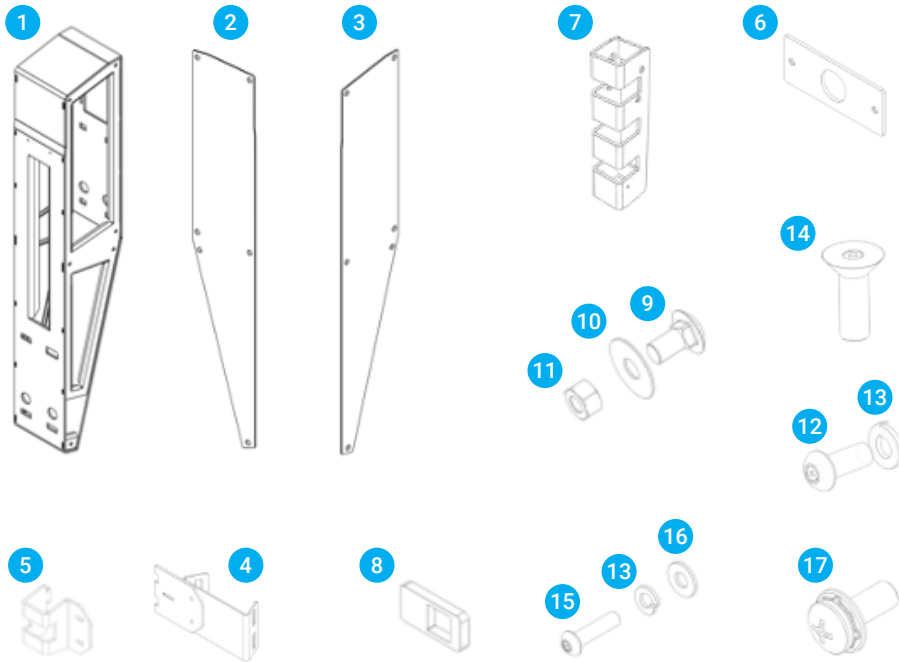
Spacer Box Installation Guide

This product is designed for SmartTWO pole mount installations.



Components

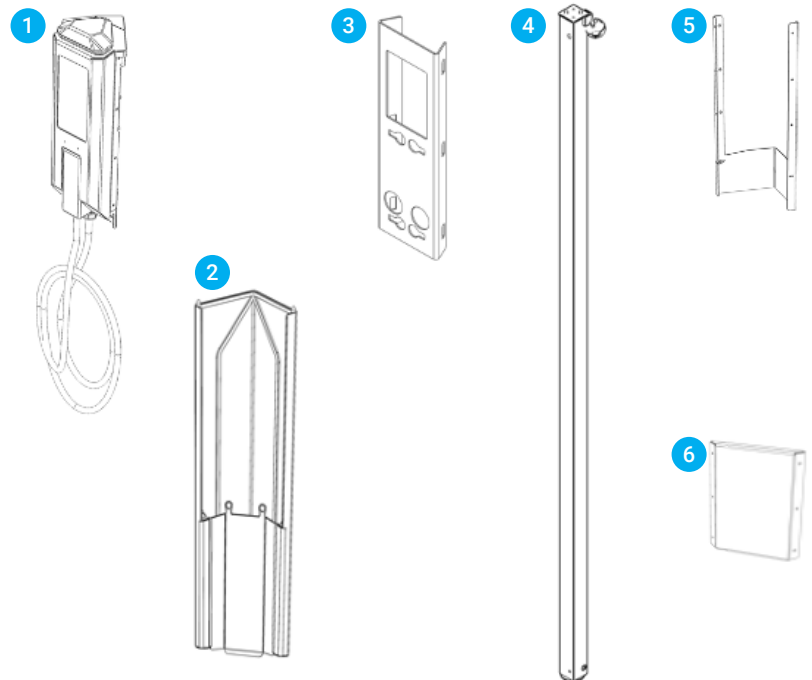
Box Content (S2MB000001)



ITEM	NUMBER
1	MEDS0547
2	MEDS0549
3	MEDS0548
4	MEDS0546
5	MEDS0545
6	MEDS0567
7	MEDS0550
8	MEDS0551
9	MESB0041
10	MEWS0032
11	MENU0015
12	MESB0094
13	MEWS0019
14	MESB0183
15	MESB0022
16	MEWS0018
17	MESB0187

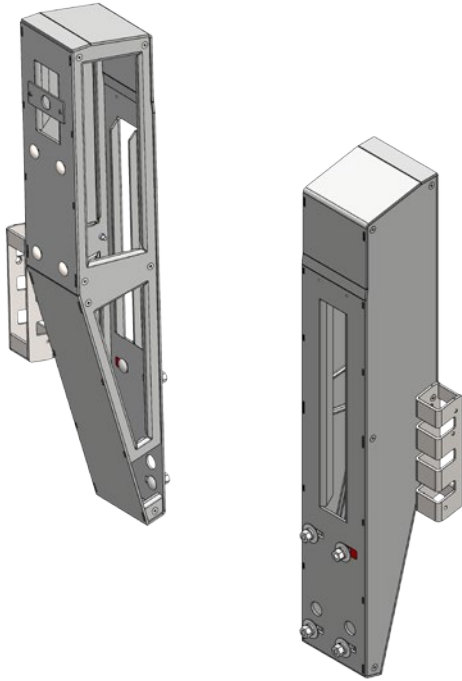
Products to be ordered separately

ITEM	NUMBER
1	S2CH102CA1-FL-P01
2	S2PE001003-P02
3	MEDS0559
4	ACCM000002-P02
5	S2-V2-ACCSPM-01-01
6	S2-V2-ACCSPSM-01-03-FL-BCCE

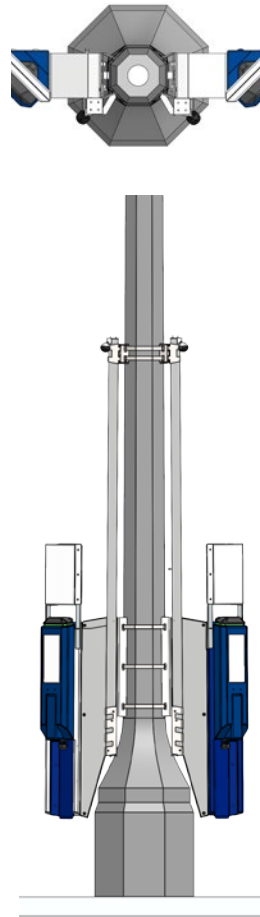
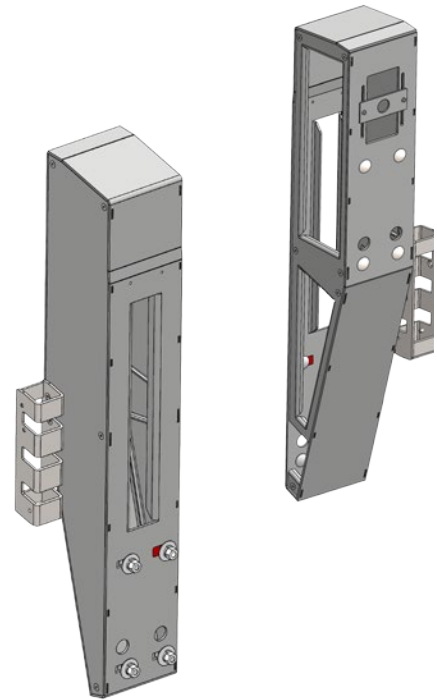


Charger Orientation

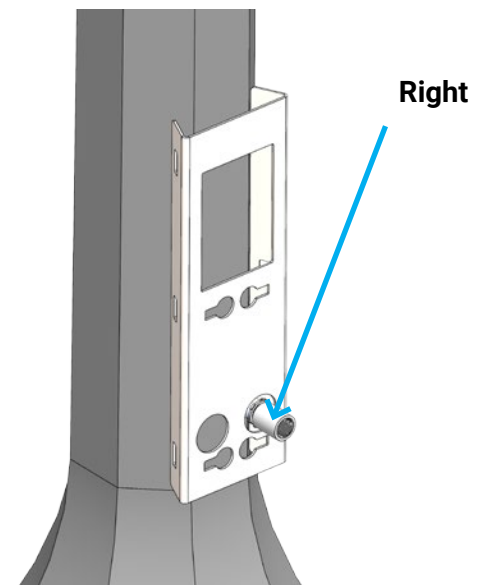
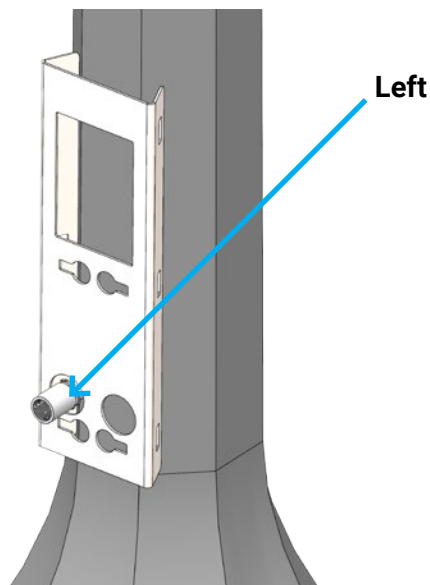
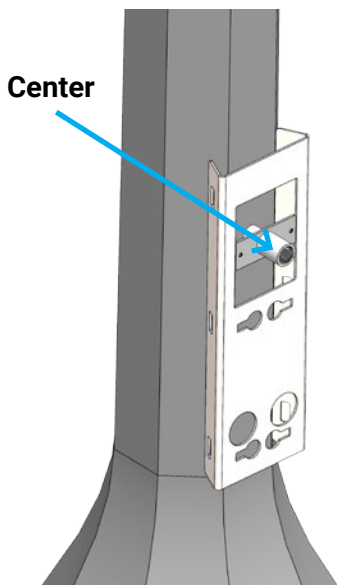
S2V4 Charger Orientation
LEFT



S2V4 Charger Orientation
RIGHT



Different Possibilities of Electrical Connection



Installation Steps

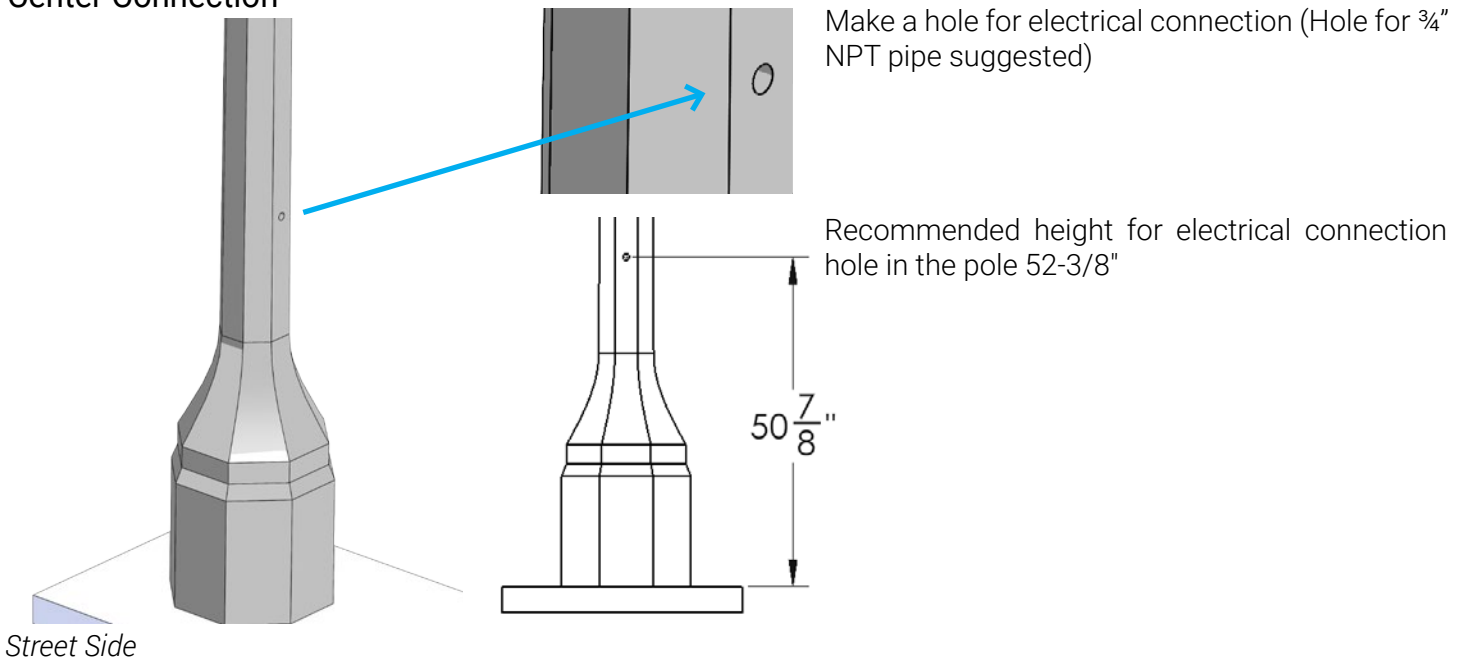
Step 1

Electrical Hole Positioning

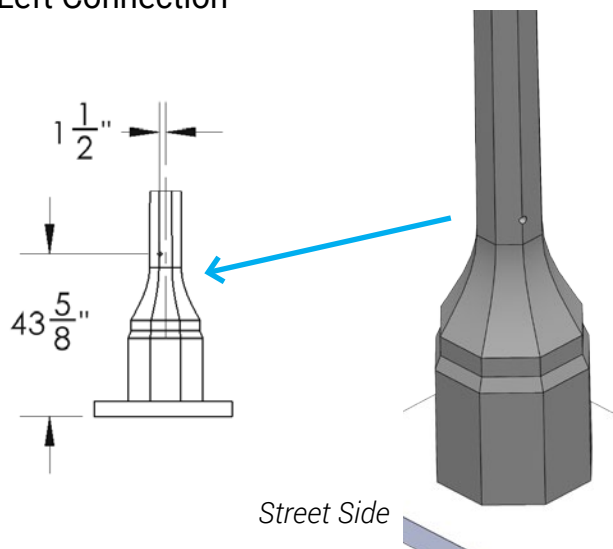
Recommended dimensions to locate the Mounting bracket for ADA requirements

Communicate with a certified contractor, certified electrician or trained installer to ensure compliance with local building code, regulation(such ADA requirements), security standards and weather conditions.

Center Connection

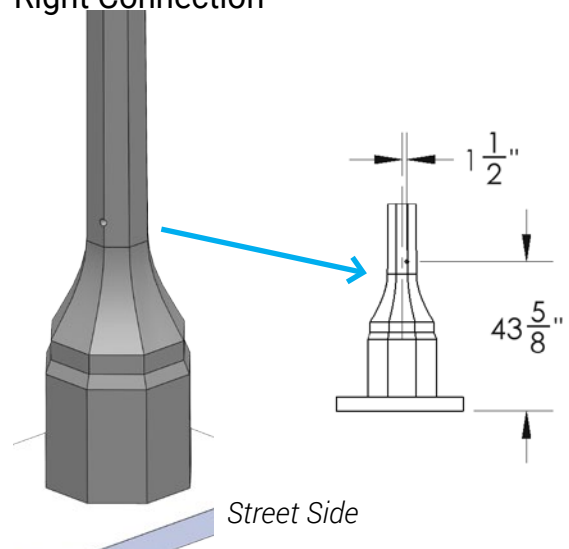


Left Connection



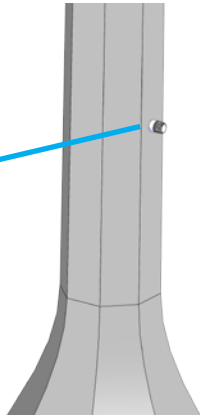
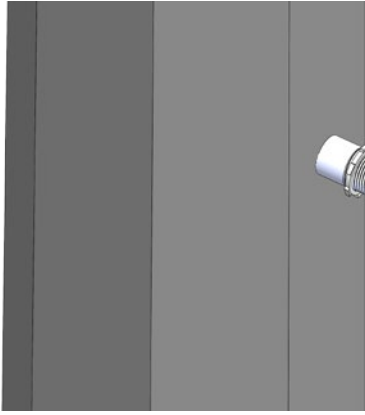
Recommended height for electrical connection hole in the pole

Right Connection



Recommended height for electrical connection hole in the pole

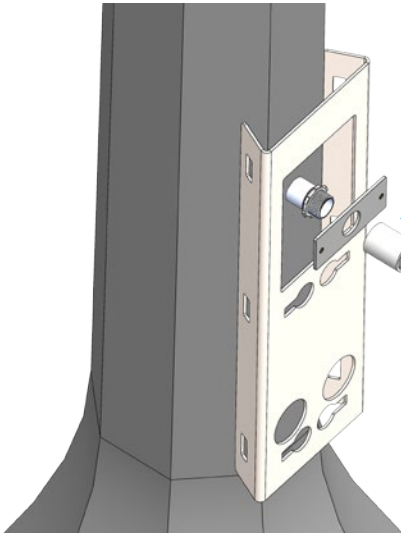
Step 2



Suggested Electrical Installation

Pipe Nipple 3/4"

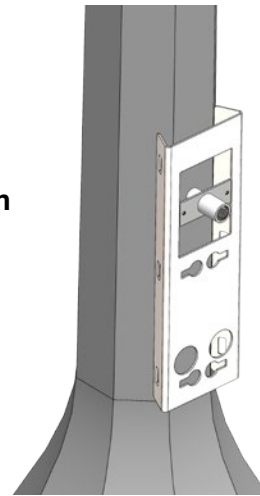
Set the pipe nipple in the pole



Suggested Electrical Installation

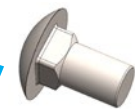
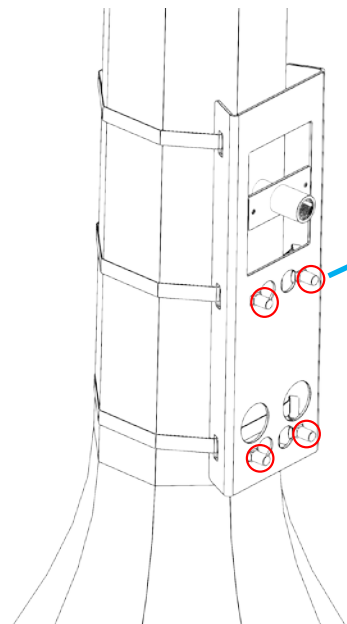
Locknut conduit

Rigid Threaded Coupling



Step 3

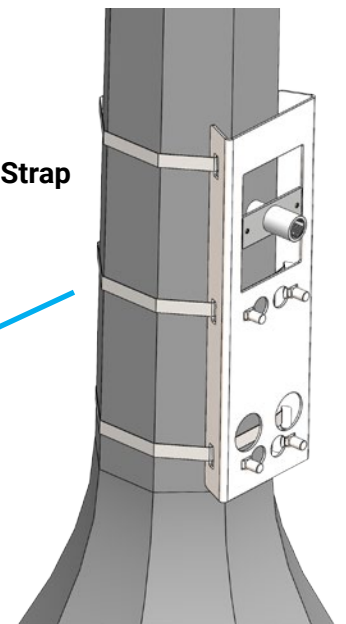
a. Integrate the bolts on the mount bracket



Type 18-8 Stainless Steel
Square Neck Carriage
Bolt, 1/2"-13 Thread, 1"
Long, Fully Threaded

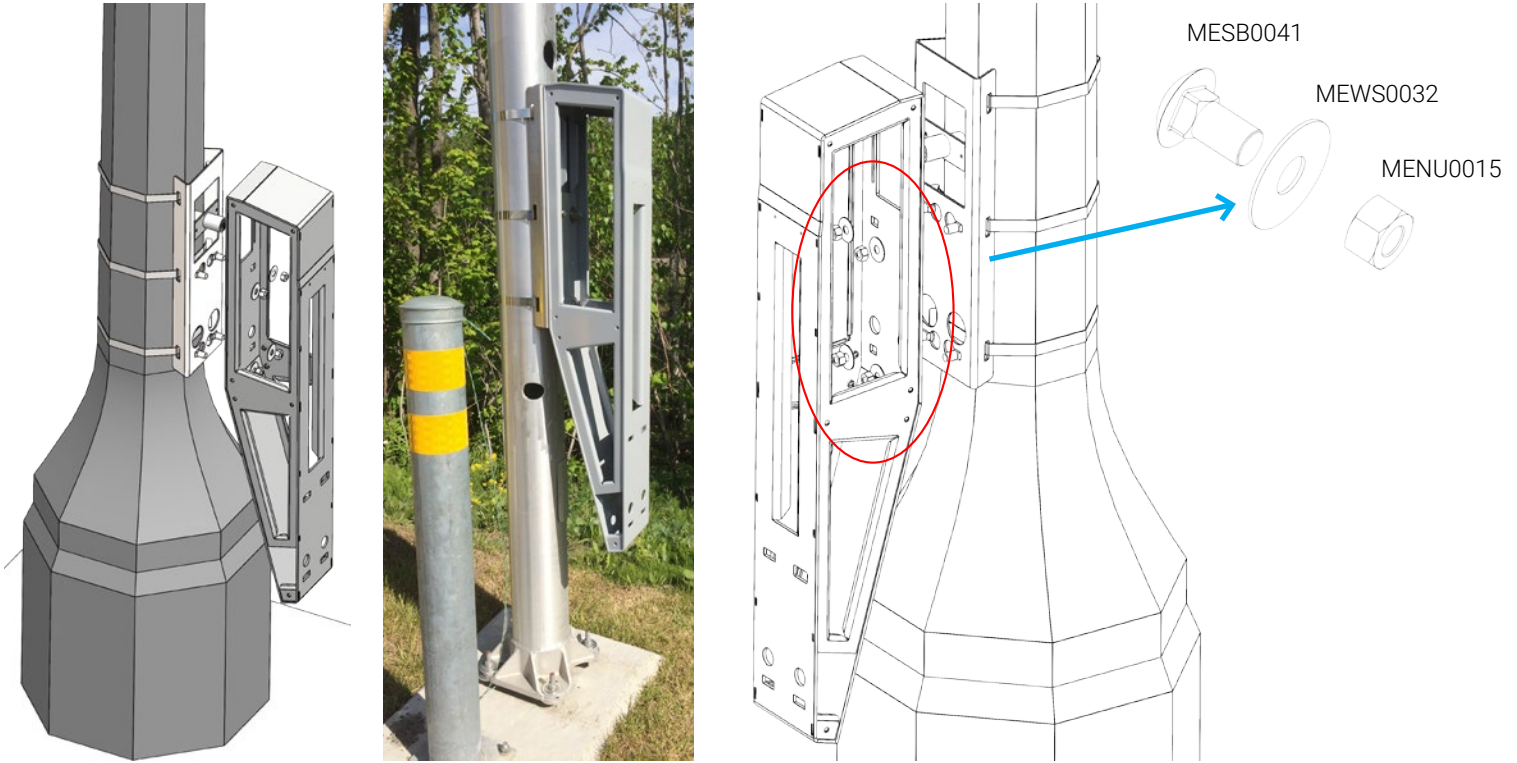
b. Attach the mount bracket with S/S Strap

Suggested installation Strap
Stainless Steel 3/4"

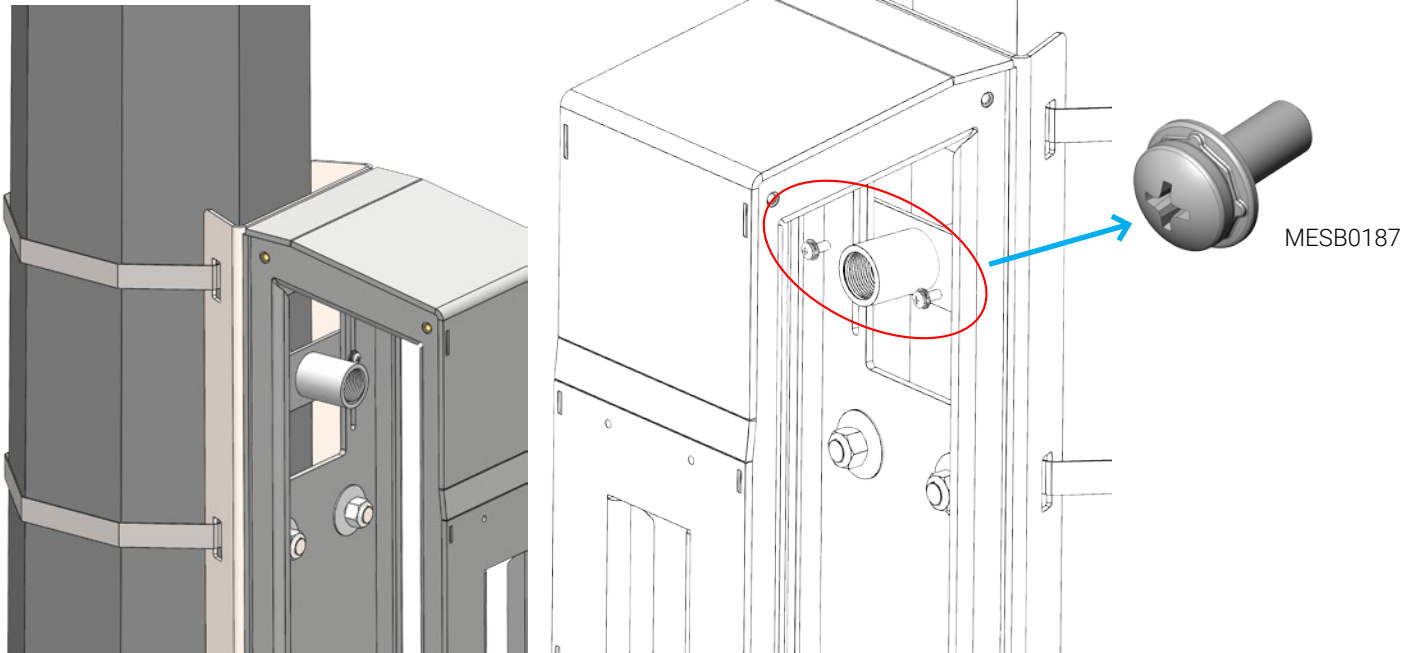


Step 4

Fix the Spacer BOX with the Bolts

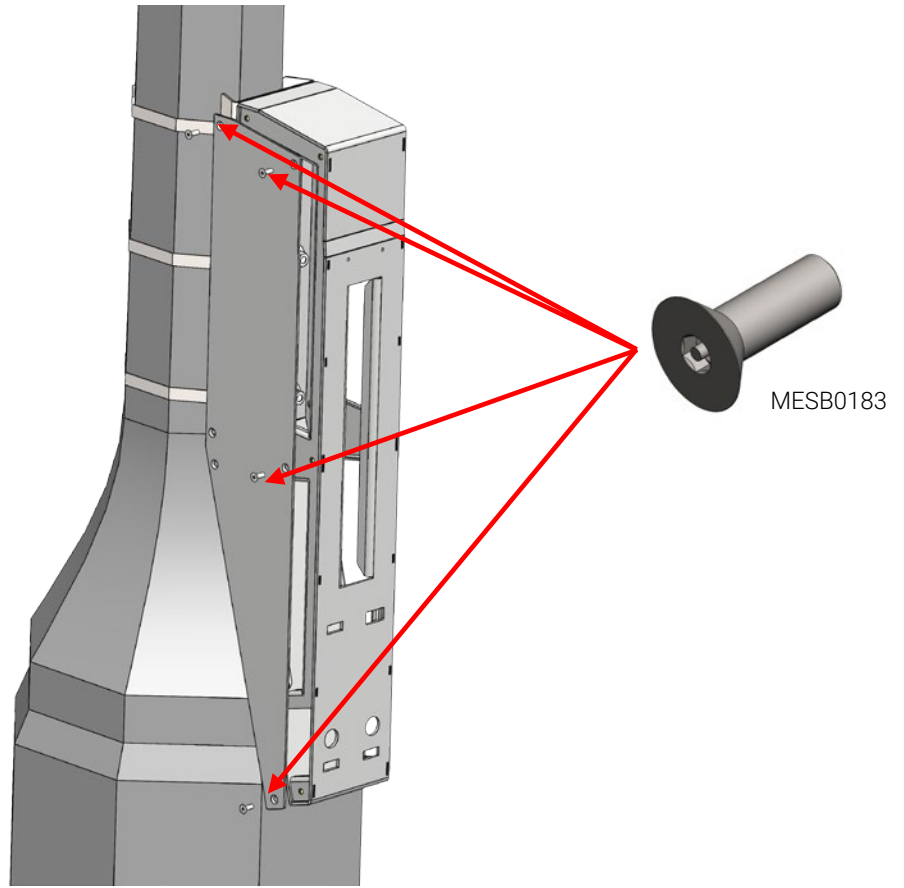


Fix the retention plate with bolts



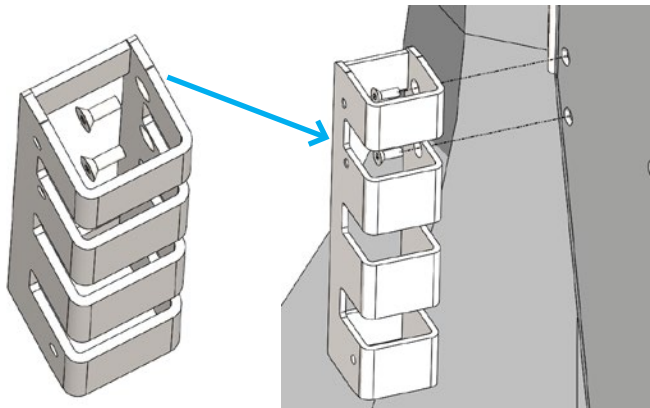
Step 5

Assemble the cover with the bolts on the spacer box

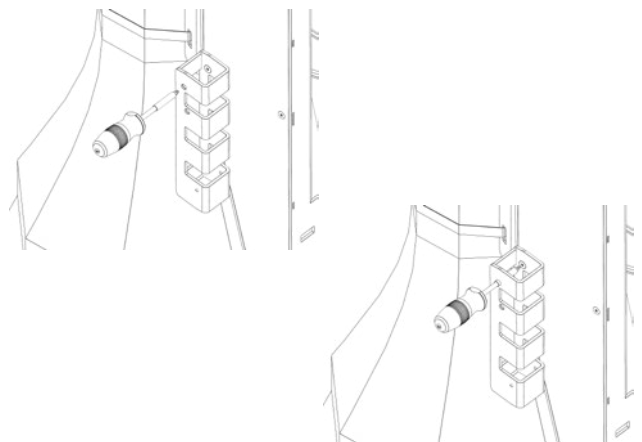


Step 6

a. Locate the CMS support on the spacer box

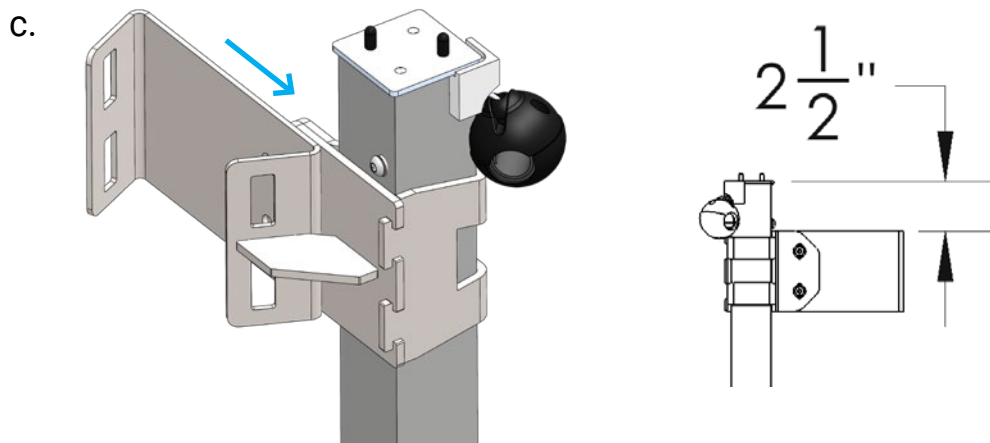
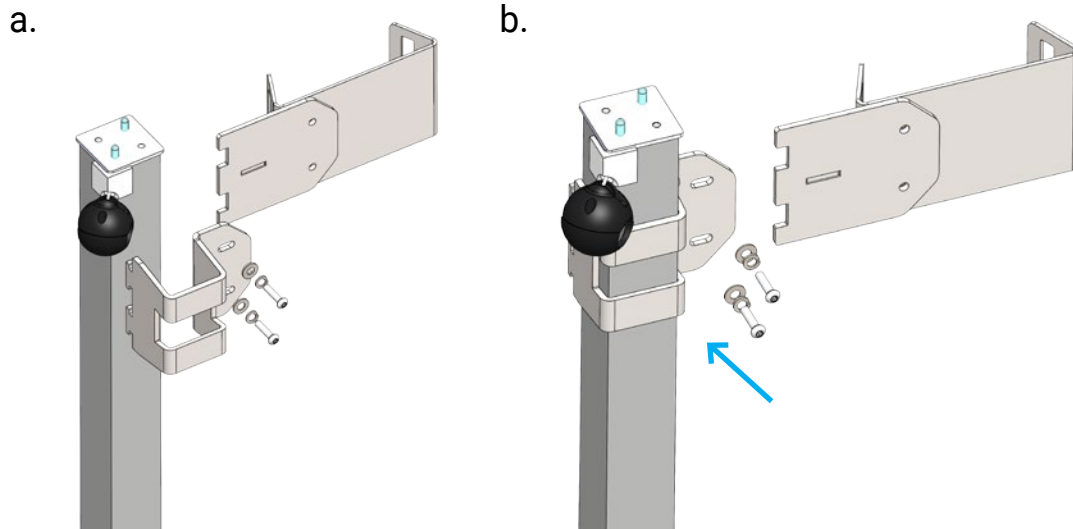


b. Assemble the CMS Support with bolts on the spacer box

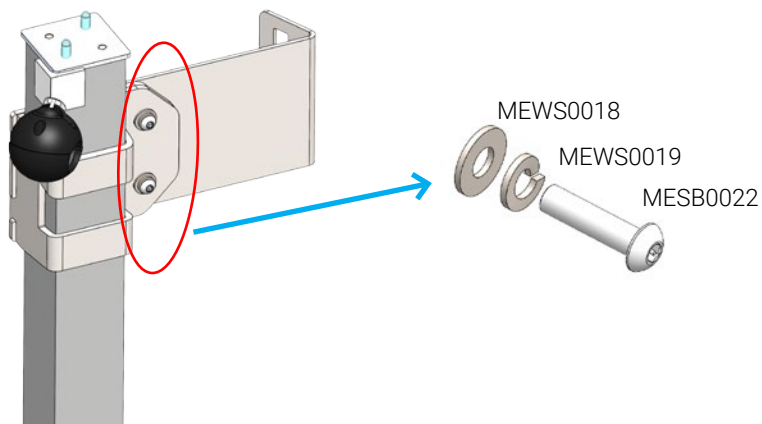


Cable Management System Installation

Step 7

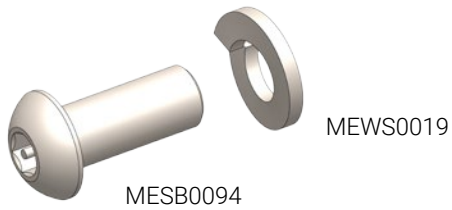
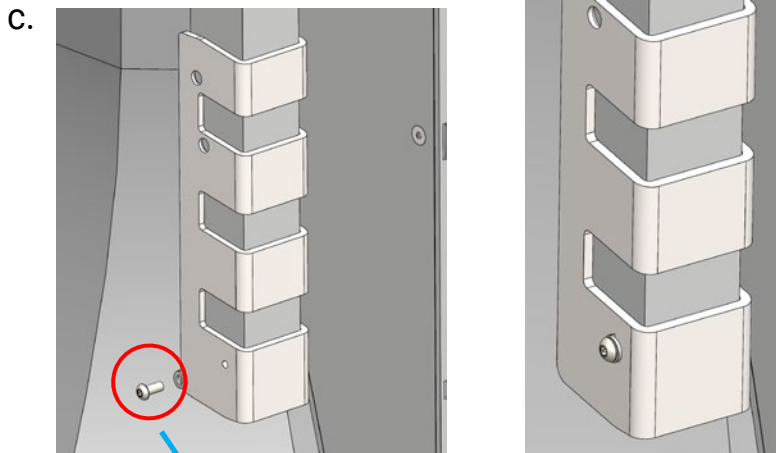
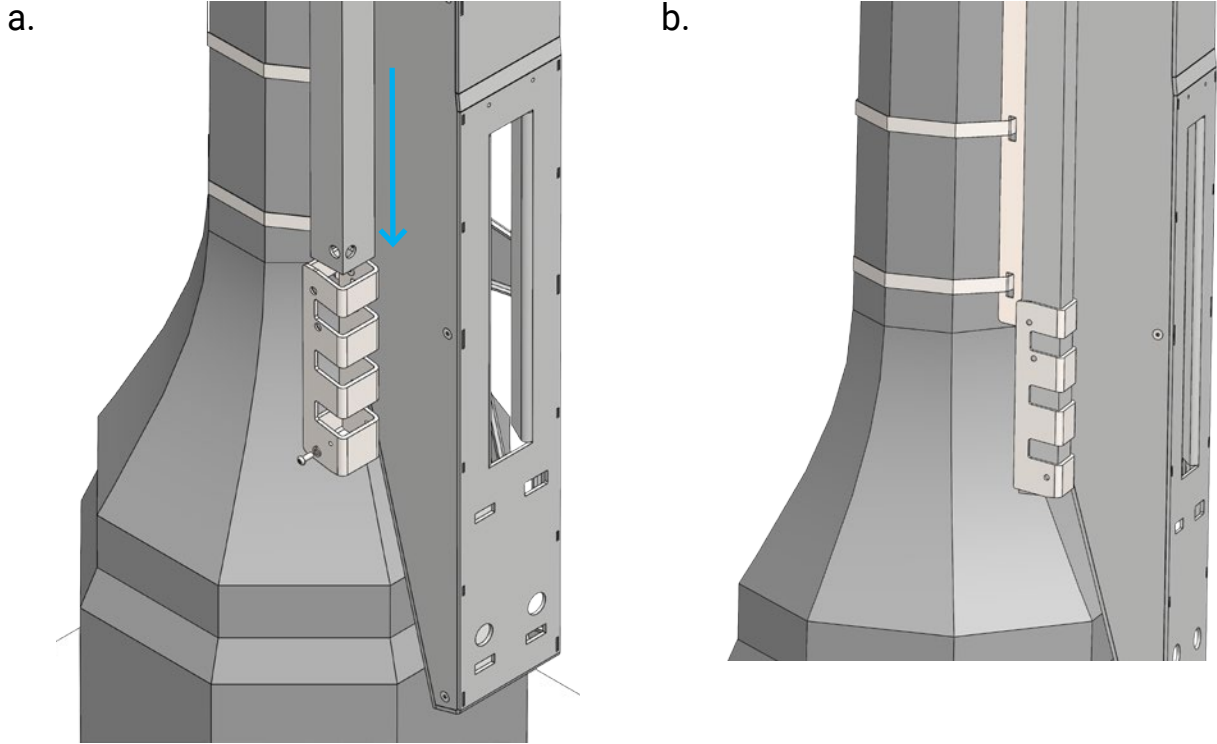


d. Assemble the bracket support with bolts on the CMS



Step 8

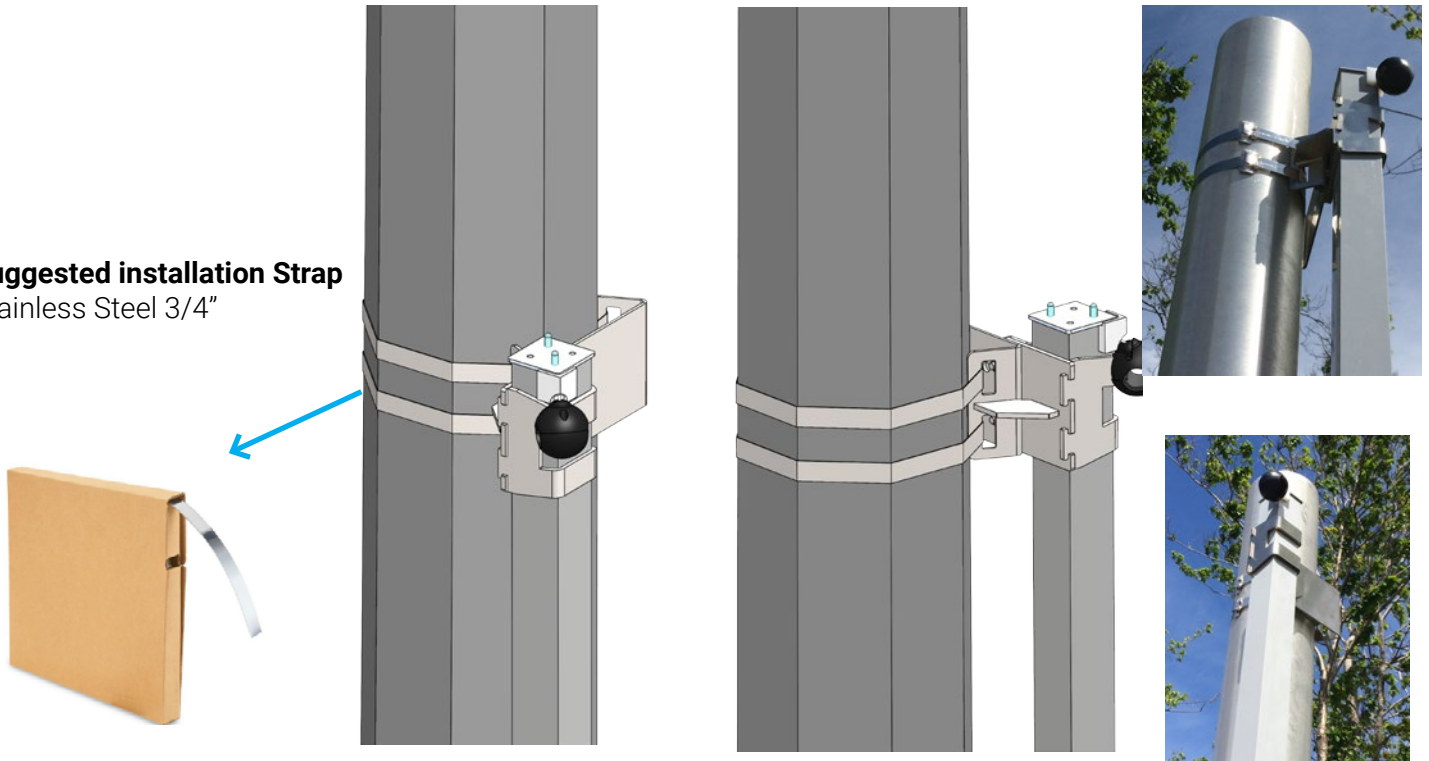
Assemble the CMS with the CMS support and attach with a bolt



Step 9

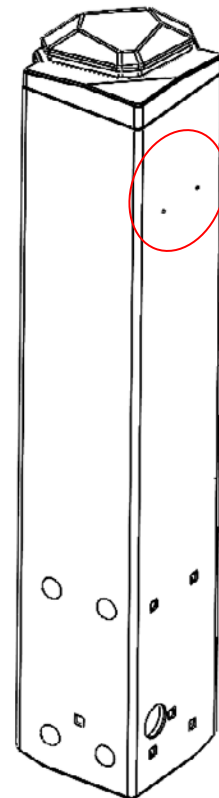
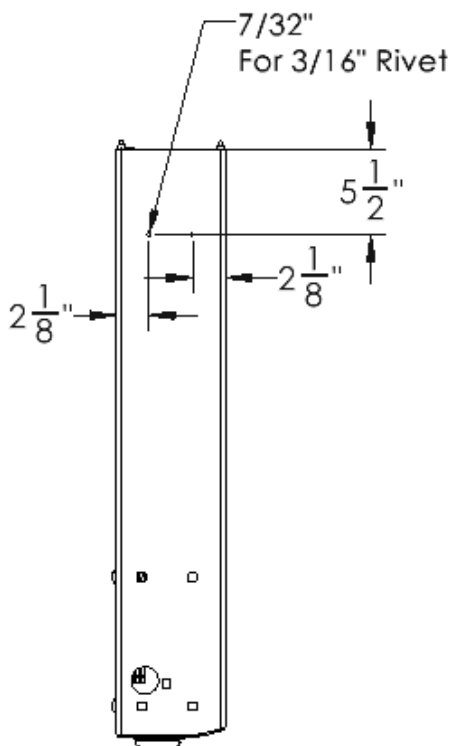
Attach the CMS support bracket with S/S Strap

Suggested installation Strap
Stainless Steel 3/4"



Step 10

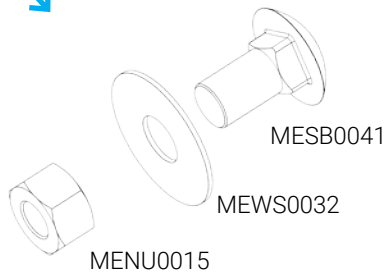
Make two holes to fix the S2V4 support on spacer box



S2PE001003-P02

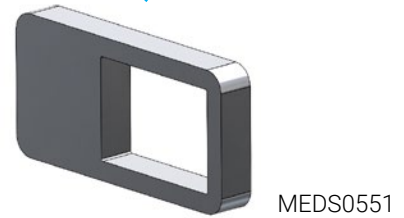
Step 10.1

a. Attach the S2V4 support with the spacer box with the bolts



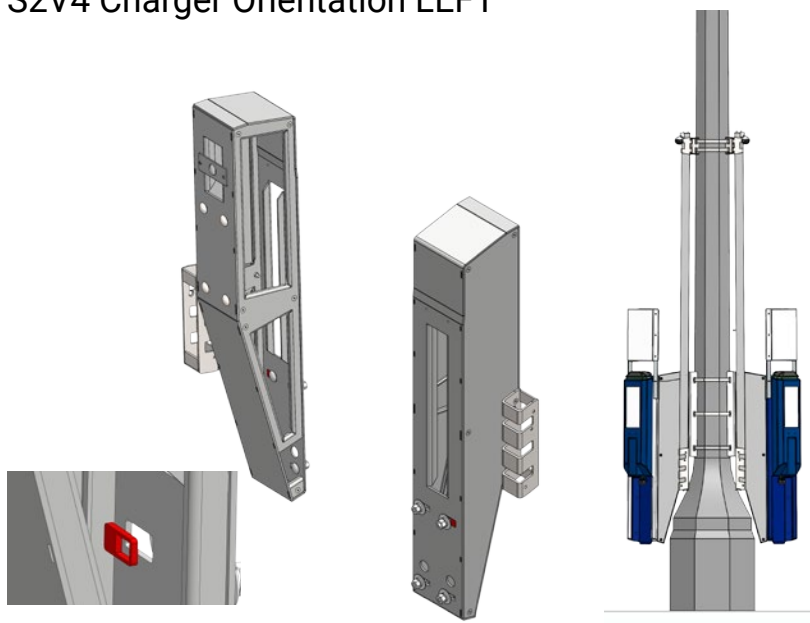
b. Locate the guide according to S2V4 charger orientation (Right-Left)

S2V4 charger orientation RIGHT

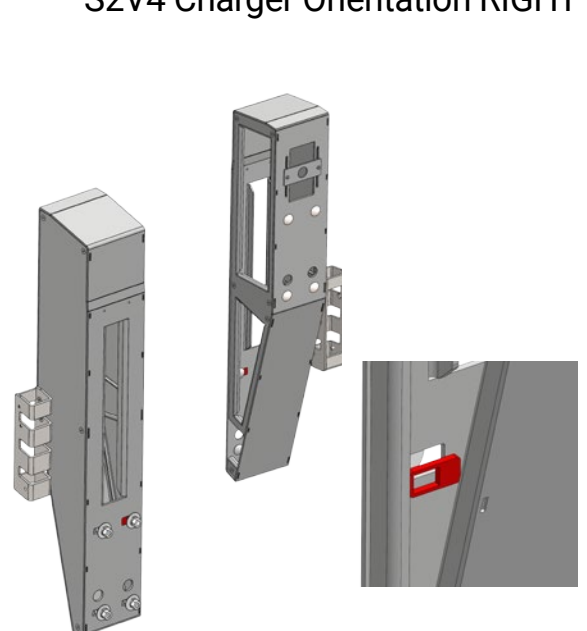


Charger orientation

S2V4 Charger Orientation LEFT



S2V4 Charger Orientation RIGHT

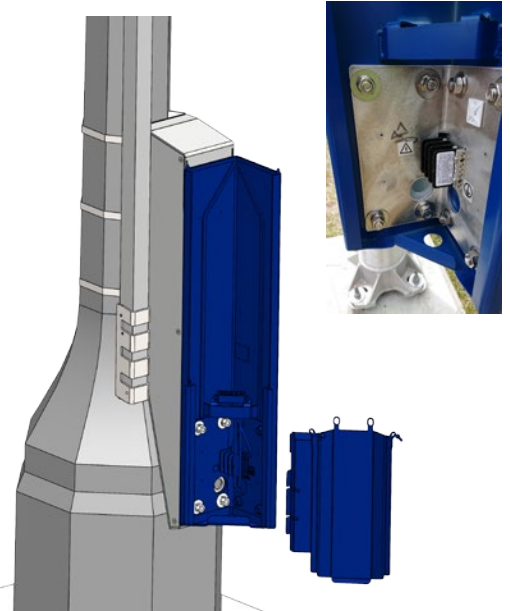


Step 10.2

a. Level the support in the spacer box

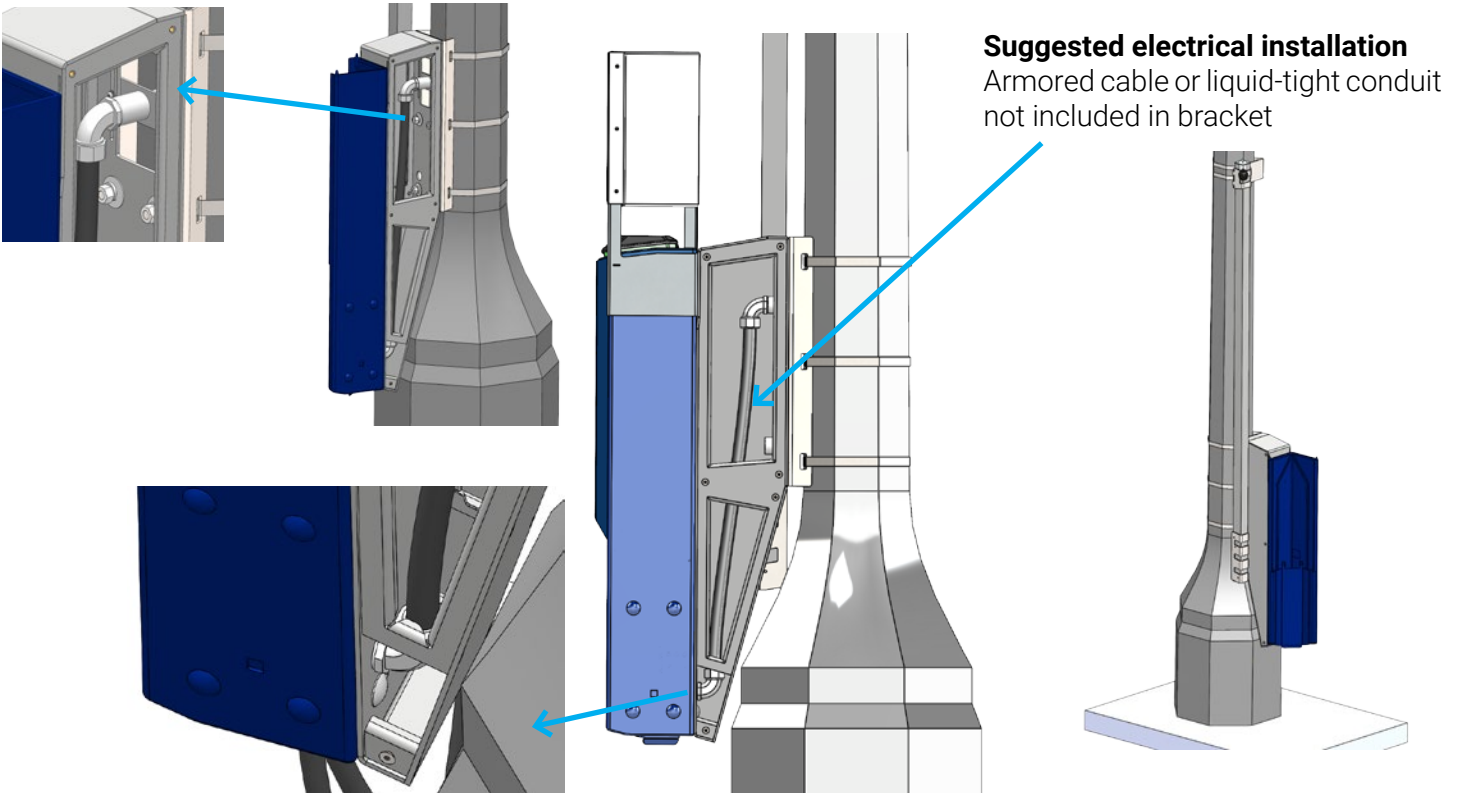


b. Install the rivets to fix the support and tighten the screws



Step 11

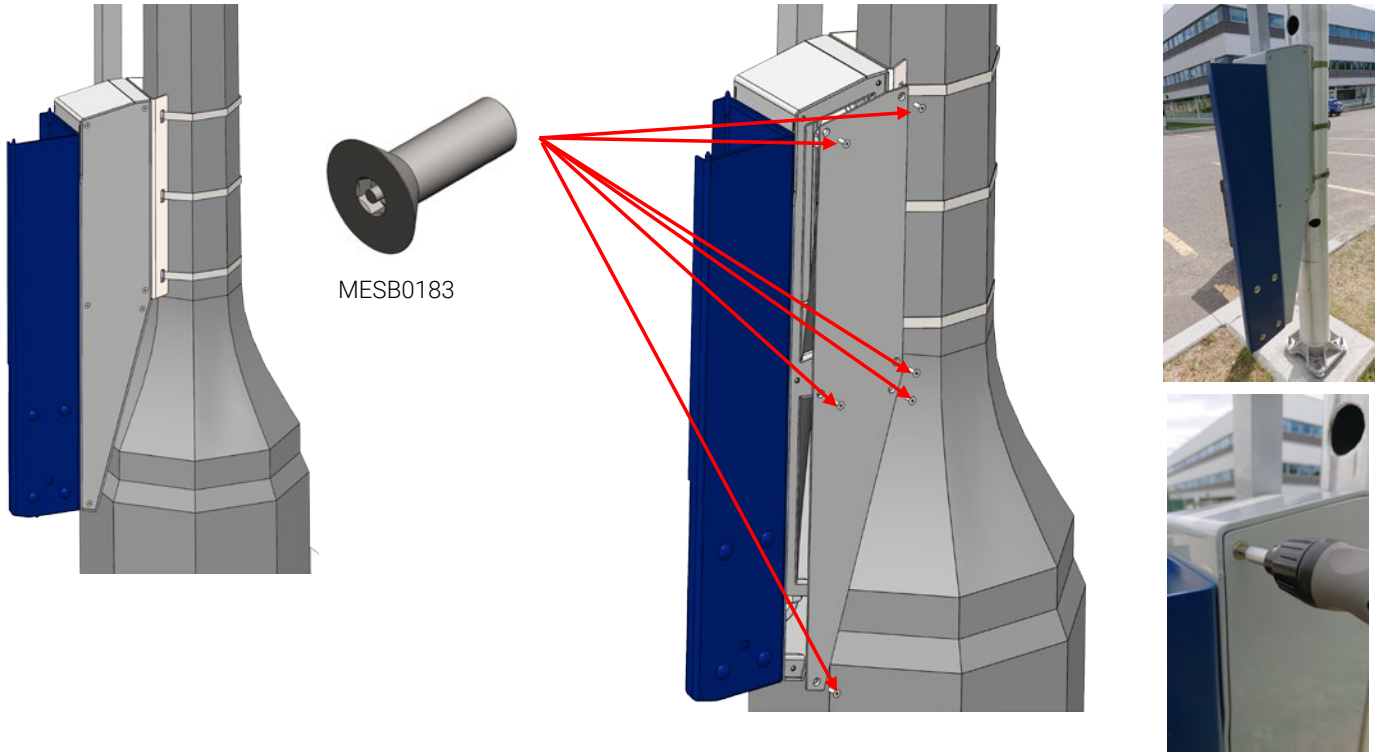
Electrical Installation



Note: For all detail for the electrical installation, please see the Installation guide for Smart TWO

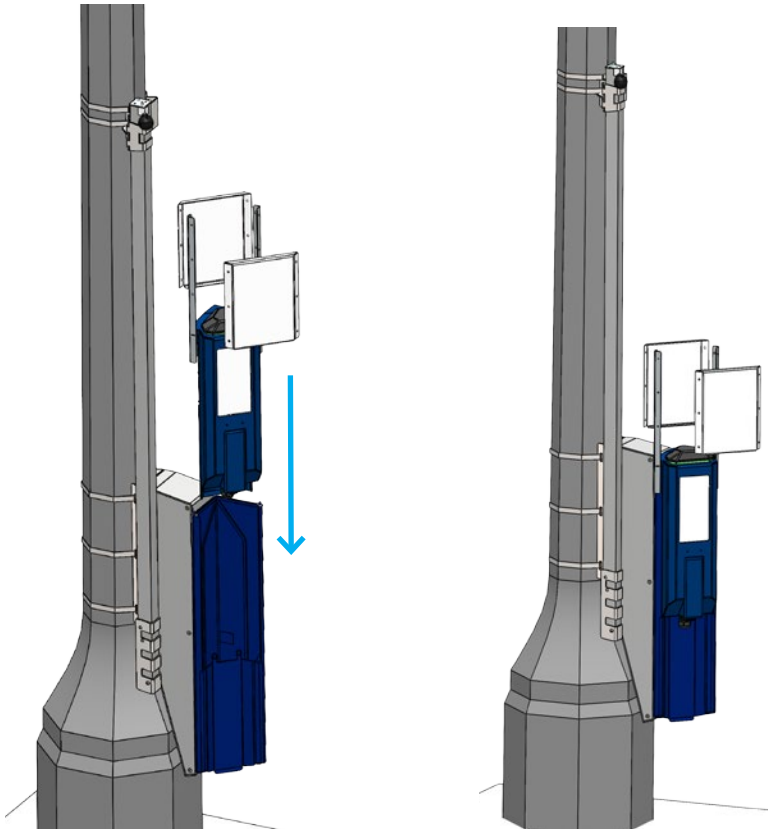
Step 12

Assemble the cover with bolts on the spacer box



Step 13

Install the SmartTWO



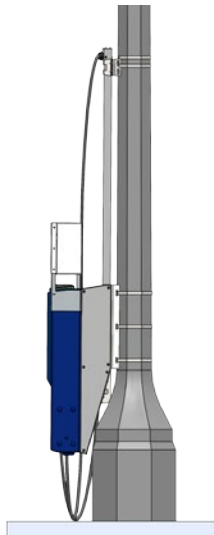
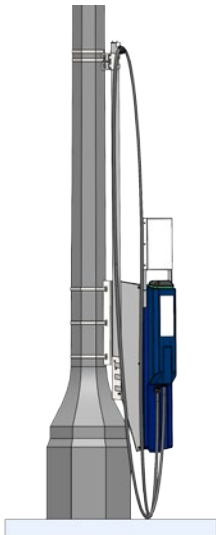
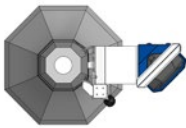
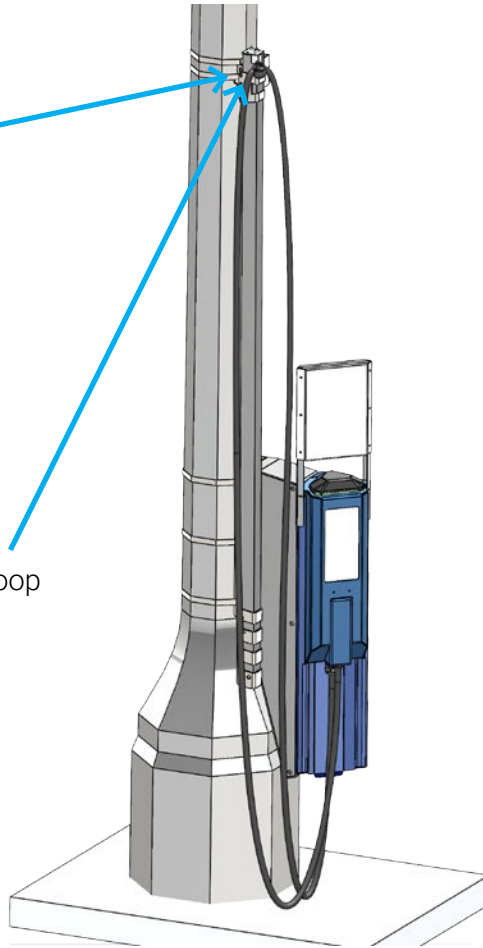
Note: For all detail for the installation, please see the Installation guide for Smart TWO

Step 14

Install the cable in the CMS



Place the cable clamp in the middle of the loop



Installation or commissioning questions:

(877) 505-2674 ext. 203
service@flo.com

Services FLO Inc.

Eastern office: 2800, Louis-Lumière Street, office 100, Québec (QC) G1P 0A4 CANADA
Central office: 7420 Airport Road, Mississauga (ON) L4T 4E5 CANADA
United-States Office: 75 South Clinton Ave. Suite 510, Rochester (New-York), 14604, USA



Contact Us

T. 1 877 505-2674
F. 855 505-2674
info@flo.com
flo.com

flo.com