

# LUNA

4" Gimbal, 1015 Lumens, 12 Watts  
Recessed Downlighting

Job Information		
Project Name		Type
Location		
Quantity		Date
Contact/Phone		
Notes		

## Features

### Body

Durable airtight aluminum body with adjustable gimbal. Includes anodized blue heat sink to provide maximum airflow for the LED light source.

### LED Characteristics

This general application light fixture features a 12 watt LED module that maintains uniform intensity producing up to 1015 lumens; with a typical CRI of 90. Available in 3000 K color temperature.

### Dimming

100%-10% dimming capability. This fixture is compatible with industry standard TRIAC/ELV dimmers. For compatible dimmers, visit [www.liteline.com/lunadimmers](http://www.liteline.com/lunadimmers)

### Beam Spread

The fixture lens provides 40° beam spread.

### Mounting

Includes two spring loaded clips to attached to any ceiling material.

### LED Driver

Extruded aluminum hardwire box with 300mA dimmable class II electronic LED driver with 100-135V AC input. Includes an 18" FT6 rated cable with DC 2.1 connector between driver and fixture approved for use in plenums and suspended ceilings.

### Quick Connect push-in terminals

Three "Quick connect" push-in terminals for fast and easy wiring.

### Operating Temperature

-20°C~40°C (-4°F~104°F)

### Environment

- Suitable for wet locations.
- Approved for direct contact with insulation.

- Suitable for insulated ceiling applications.

### Note

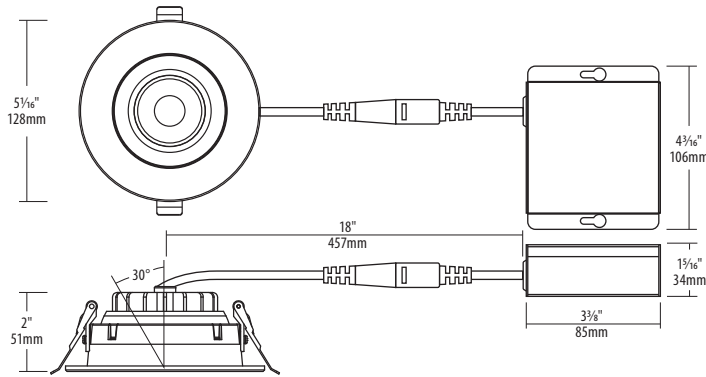
- Tested with insulation up to R60
- VBE recommended in spray foam and loose fill applications

SPECIFICATION	
Application	Ceiling Recess Mount
Approved Location	Wet / Insulated Ceilings
Beam Angle	40°
CCT	3000 K
Certification	cETLus
Class II	Yes
Color	WH
CRI	90
Dimming	Yes
Dimming Tech	TRIAC/ELV
Energy Star	Yes
Hole Cut	Ø 4 3/8" (106mm)
Input	100-135V AC, 60Hz
LM79	Yes
LM80	Yes
Lumens	1015
Lumens per Watt	83
Power Factor	0.95
Projected Life	70% @ 50,000 hrs
Warranty	Lifetime
Wattage	12W



## Description

The RA4-12G is a 12 watt 4" round gimbal recessed light fixture for retrofit application. It is a high-performance, easy to install downlight solution that offers good light output, energy-efficiency and streamlined design. Suitable for wet locations.



**Notes:** Accessories are sold separately. For additional options please consult your Liteline representative.  
Due to our continued efforts to improve our products, product specifications are subject to change without notice.

## Ordering Guide

Color Temperature	Driver Options	Trim Finish
RA4-12G - <input type="text"/> - 90	<input type="text"/>	<input type="text"/>
30K : 3000 K	Leave blank for standard 120V driver E : Lutron Hi-Lume® 1% (EcoSystem®) EM : Emergency Backup, 120~277V, 0-10V C : 120~347V, 0-10V	WH : White

## Accessories



### SLM-60-FC

60" Flexible connector, for use with SlimLED fixtures.



### P-4020

4 1/4" Round pre-mounting plate with driver attachment clip, for 4" LUNA LED fixtures.



### P-4020NC

4 1/4" Round new construction plate with driver attachment clip, for 4" LUNA LED fixtures.



### P-NCMK-1

New construction mounting kit. Includes hanger bars, brackets and screws.



### RA4-XLRING-BK

Reducer ring for 4" LUNA fixtures, black.



### RA4-XLRING-BN

Reducer ring for 4" LUNA fixtures, brushed nickel.



### RA4-XLRING-WH

Reducer ring for 4" LUNA fixtures, white.



### VBE-1

Vapour barrier extender. For use in new construction applications.



### VBE-2

Vapour barrier extender. For use in remodel applications.



### VBE-3

Vapour barrier extender. For use in remodel applications.



### VBE-4

Vapour barrier extender. For use in remodel applications.



### LC-CRTL-3WAY-1

OnCloud Smart Wi-Fi 3-Way Switch, compatible with WIZ App.



### LC-CRTL-DIM-1

OnCloud Smart Wi-Fi dimmer, 120V, compatible with WIZ App.