

P-3000

3" New Construction Plate with Collar Recessed Lighting

Job Information		
Project Name		Type
Location		
Quantity		Date
Contact/Phone		
Notes		

Features

General

Constructed of galvanized steel, this 3" new construction pre-mounting plate with collar is used to mount screw down "C" style remodel housings.

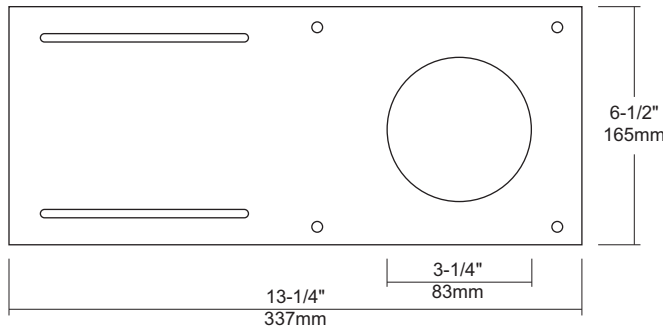
Mounting

The plate includes mounting holes and tracks to satisfy any type of installation. Alignment notches on plate to help aligning multiple plates.



Description

The P-3000 is a 3" new construction pre-mounting plate with collar for use with screw down "C" style remodel housings.



Notes: Due to our continued efforts to improve our products, product specifications are subject to change without notice.

Ordering Guide



P-3000

3" New construction plate for screw down "C" style remodel housings.

Compatible Housings



RF302GC

3" Line voltage remodel C-style housing, 120V.



RF302LC

3" Low voltage remodel C-style housing, 12V.

