

OSL-OPNR

Round Open Window Faceplate
Recessed Lighting

Job Information		
Project Name		Type
Location		
Quantity		Date
Contact/Phone		
Notes		

Features

Body Construction

Powder-coated or electroplated cast aluminum with open center. Available in black, brushed nickel or fl at white corrosion resistant paint.

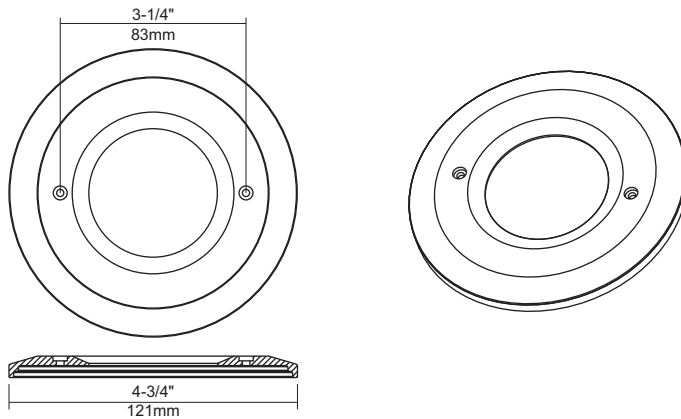
Mounting

Mounts onto round outdoor LED step light (OSLRD30 – sold separately) with two colour matching screws (included).



Description

This open window faceplate is used in conjunction with round outdoor LED step light. It can be used on deck, porch, or concrete/brick walls for even spread of light in dark areas.



Notes: Accessories should be ordered separately. For additional options please consult your Liteline representative. Due to our continued efforts to improve our products, product specifications are subject to change without notice.

Ordering Guide



OSL-OPNR-BK

Black open window faceplate for round outdoor LED step light.



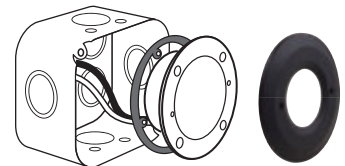
OSL-OPNR-BN

Brushed nickel open window faceplate for round outdoor LED step light.



OSL-OPNR-FWH

Flat white open window faceplate for round outdoor LED step light.



(LED fixture sold separately)

