



Day-Brite / CFI NWL LED wraparound is an economical surface mount general illumination luminaire for use in commercial and residential applications. The slender form and frosted lens create an appealing visual aesthetic. The built-in occupancy sensor, lumen and color selectable light light output offer complete versatility.



Project: \_\_\_\_\_  
 Location: \_\_\_\_\_  
 Cat.No: \_\_\_\_\_  
 Type: \_\_\_\_\_  
 Qty: \_\_\_\_\_  
 Notes: \_\_\_\_\_

### Ordering guide

Example: **NWL43050L8CST-UN3-DIM**

Family	Size	Lumens <sup>1</sup> (nominal)	CST	Voltage <sup>2</sup>	Driver
<b>NWL</b>			<b>8CST</b> —	—	<b>DIM</b>
NWL Wraparound LED dual select	2 2' length <sup>2</sup> 4 4' length 8 8' length	<b>1525L</b> 15/20/25lm field selectable <b>3050L</b> 30/40/50lm field selectable <b>60100L</b> 60/80/100lm field selectable	<b>8CST</b> 80 CRI, Color Select (3500/4000/5000K)	<b>UNV</b> 120-277V <sup>2</sup> <b>UN3</b> 120-347V	<b>DIM</b> 0-10v dimming

- Nominal delivered lumens at 25°C ambient.
- 2ft option is only offered in 120-277V (UNV) / 4ft & 8ft are only offered in 120-347V (UN3)

### Features

- White polycarbonate housing for durability.
- Frosted polycarbonate lens for even, low glare lighting.
- Hardware for surface mounting included.
- Easy installation with holes provided in housing.
- Can be surface mounted on ceilings or walls or suspended via chain, pendants or cables. Pendant suspension requires junction box and is not recommended for 8ft units.
- Power interconnect (both flush and 12" cable) provided to link fixtures together if desired.
- Voltage  
2ft 120-277V (UNV) only  
4ft & 8ft 120-347V (UN3) only
- Default factory settings: Lumens - Highest available lumens / CCT - 4000K
  - Field CCT selectable for 3500K, 4000K, or 5000K.
  - Field lumen selectable for 15/20/25lm, 30/40/50lm, or 60/80/100lm.

### Occupancy sensor

Occupancy sensor comes standard with all sizes. Integrate PIR occupancy sensor with three alternative settings to chose from:

- 0-10V dimming driver control**
  - PIR Sensor fully OFF
  - Default factory setting
- PIR Mode 1**
  - When movement detected 100%, when no movement is detected dims to 20%
- PIR Mode 2**
  - When movement detected 100%, when no movement is detected dims to OFF

### Labels

Suitable for damp locations.

cETLus listed to meet UL 1598 standards for -10°C to 35°C ambient.

DesignLights Consortium qualified. Please see the DLC QPL list for exact catalog numbers <http://www.designlights.org/QPL>

### Warranty

5 year manufacturer's limited warranty. Visit [www.signify.com/warranties](http://www.signify.com/warranties) for complete warranty information.

### Accessories (order separately)

- HCH5-VHOOK** 5' Cable hanger set (pair) - Includes two 5' hanging cables with "V" hooks
- HCH10-VHOOK** 10' Cable hanger set (pair) - Includes two 10' hanging cables with "V" hooks
- HCH15-VHOOK** 15' Cable hanger set (pair) - Includes two 15' hanging cables with "V" hooks
- HCH20-VHOOK** 20' Cable hanger set (pair) - Includes two 20' hanging cables with "V" hooks
- HNH5-VHOOK** 54" Chain hanger set (pair) - Includes two 54" heavy duty link chains with "V" hooks

### General Notes

All options are factory installed.

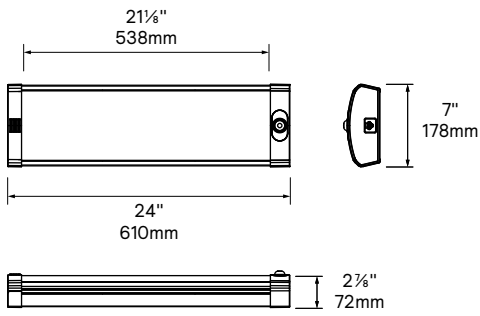
Many luminaire components, such as reflectors, lenses, sockets, lampholders, and LEDs are made from various types of plastics which can be adversely affected by airborne contaminants. If sulfur based chemicals, petroleum based products, cleaning solutions, or other contaminants are expected in the intended area of use, consult factory for compatibility.



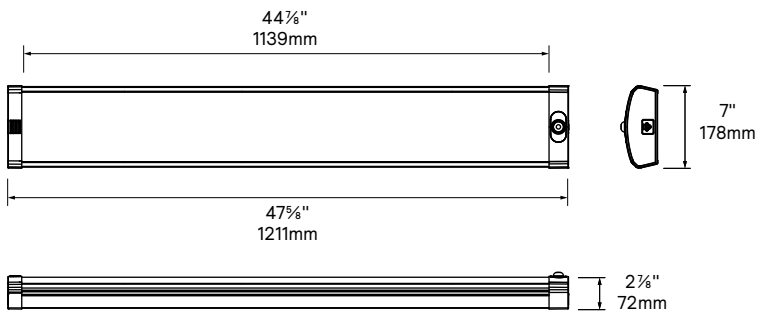
# NWL LED Wraparound

2', 4' & 8'

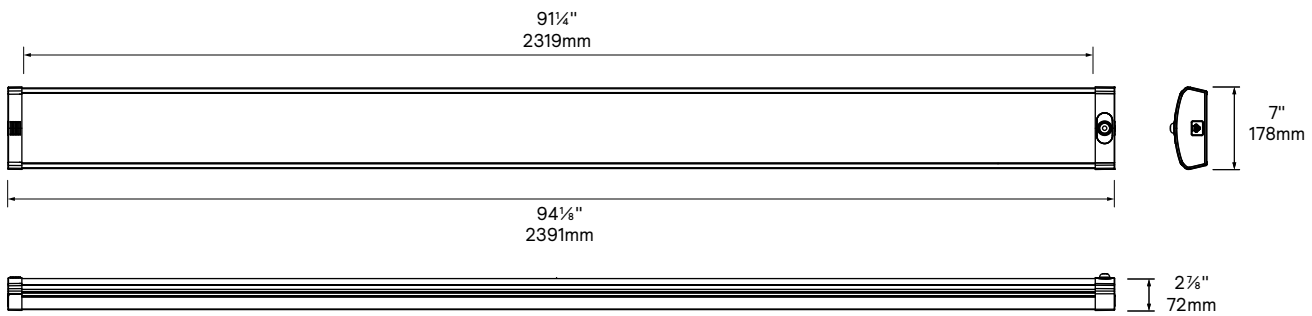
## NWL 2ft



## NWL 4ft



## NWL 8ft

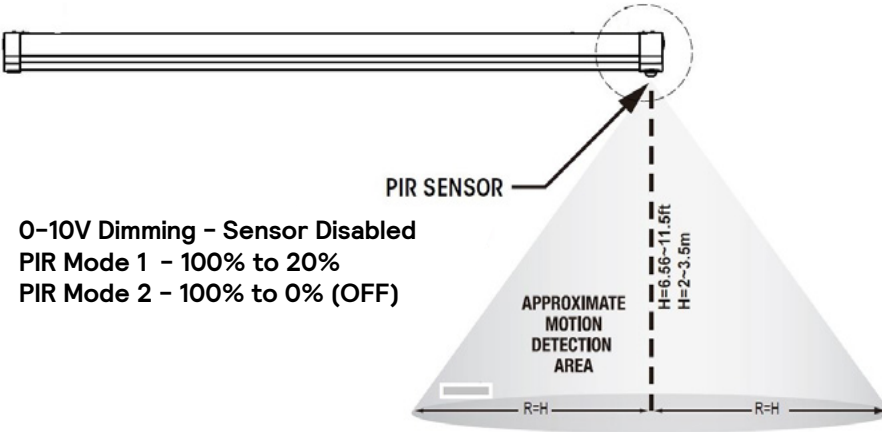


# NWL LED Wraparound

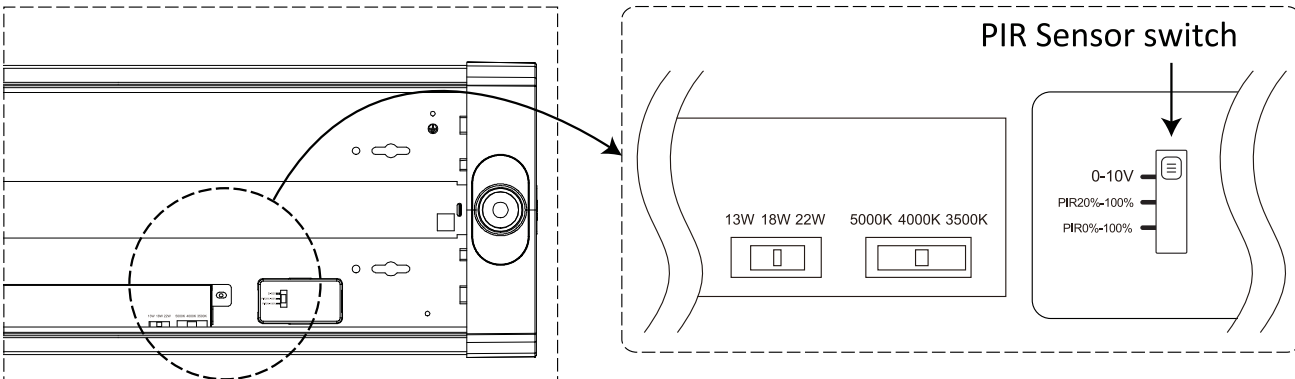
2', 4' & 8'

## Details

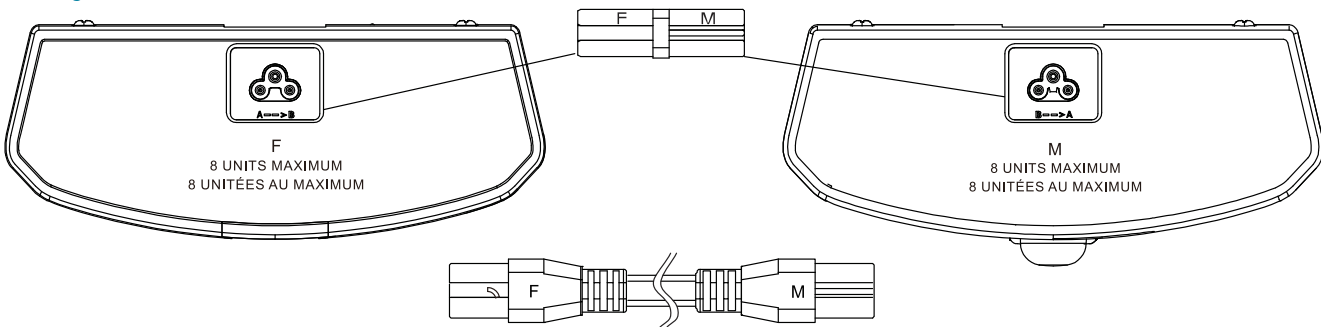
### Sensor Detection



### Switch and Sensor



### Linking



# NWL LED Wraparound

2', 4' & 8'

## Photometry

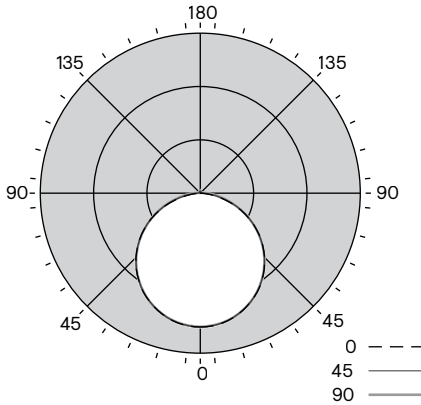
### NWL21525L8CST-UNV-DIM

Luminaire Lumens	1500
Luminaire Efficacy Rating (LER)	115
Total Luminaire Watts	13
Spacing Criterion (0-180)	1.3
Spacing Criterion (0-180)	1.3

	Candela Distribution					Flux
	0	45	90	135	180	Lumens
0	502	502	502	502	502	
5	500	500	499	499	499	47
15	482	482	482	482	482	136
25	449	449	449	449	449	207
35	401	401	401	401	400	251
45	342	341	341	340	340	262
55	269	269	268	268	268	239
65	186	186	187	187	187	184
75	96	99	101	104	106	107
85	18	24	30	37	43	36
90	2	7	13	18	23	

Zonal Lumen Summary			
Zone	Lumens	%Fixture	%Lamp
0-30	390	26.0%	26.0%
0-40	641	42.7%	42.7%
0-60	1143	76.2%	76.2%
0-90	1470	98.0%	98.0%
0-180	30	2.0%	2.0%
0-180	1500	100.0%	100.0%

Avg. Luminance (cd/m <sup>2</sup> )			
	0	45	90
45	6307	6291	6275
55	6120	6105	6090
65	5734	5762	5789
75	4846	5096	5347
85	2624	4525	6427



Coefficients of Utilization % (Based on a floor reflectance of 0.2)											
Pc---	80				70			50		0	
	70	50	30	10	70	50	30	50	30	10	0
Pw---	70	50	30	10	70	50	30	50	30	10	0
RCR	0	119	119	119	119	116	116	116	110	110	98
	1	108	103	99	95	105	101	97	96	93	81
	2	98	90	83	77	95	87	81	84	78	67
	3	89	78	70	64	87	77	69	73	67	57
	4	82	69	60	54	79	68	60	65	58	48
	5	75	62	53	46	73	61	52	58	51	41
	6	69	56	47	40	67	55	46	53	45	36
	7	64	50	42	35	62	50	41	48	40	32
	8	60	46	37	31	58	45	37	44	36	28
	9	56	42	34	28	54	41	34	40	33	26
	10	52	39	31	26	51	38	31	37	30	23

\* Based on a floor reflectance of 0.2

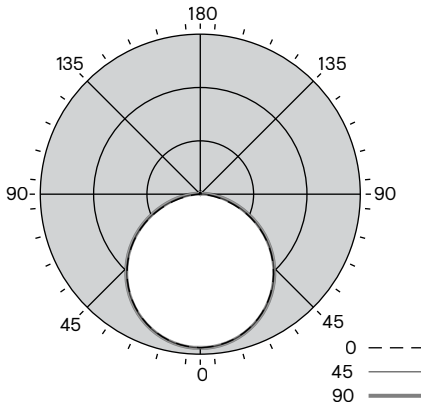
### NWL43050L8CST-UN3-DIM

Luminaire Lumens	3150
Luminaire Efficacy Rating (LER)	121
Total Luminaire Watts	26
Spacing Criterion (0-180)	1.3
Spacing Criterion (0-180)	1.3

	Candela Distribution					Flux
	0	45	90	135	180	Lumens
0	1056	1056	1056	1056	1056	
5	1049	1050	1051	1053	1054	100
15	1013	1014	1016	1017	1018	286
25	942	944	945	947	948	436
35	840	842	844	846	847	528
45	710	712	715	717	719	551
55	556	559	561	564	567	501
65	382	386	390	394	398	386
75	196	205	214	222	231	226
85	34	50	67	83	99	78
90	2	15	29	42	56	

Zonal Lumen Summary			
Zone	Lumens	%Fixture	%Lamp
0-30	822	26.1%	26.1%
0-40	1350	42.8%	42.8%
0-60	2402	76.2%	76.2%
0-90	3092	98.2%	98.2%
0-180	58	1.8%	1.8%
0-180	6150	100.0%	100.0%

Avg. Luminance (cd/m <sup>2</sup> )			
	0	45	90
45	6258	6188	6192
55	6033	5942	5953
65	5605	5521	5576
75	4665	4785	5093
85	2329	3856	5487



Coefficients of Utilization % (Based on a floor reflectance of 0.2)											
Pc---	80				70			50		0	
	70	50	30	10	70	50	30	50	30	10	0
Pw---	70	50	30	10	70	50	30	50	30	10	0
RCR	0	119	119	119	119	116	116	116	110	110	98
	1	108	103	99	95	105	101	97	96	93	81
	2	98	90	83	77	95	87	81	84	78	67
	3	89	78	70	64	87	77	69	73	67	57
	4	82	69	60	54	79	68	60	65	58	48
	5	75	62	53	46	73	61	52	58	51	42
	6	69	56	47	40	67	55	46	53	45	36
	7	64	50	42	35	62	50	41	48	40	32
	8	60	46	37	32	58	45	37	44	36	28
	9	56	42	34	28	54	42	34	40	33	26
	10	52	39	31	26	51	38	31	37	30	23

\* Based on a floor reflectance of 0.2

# NWL LED Wraparound

2', 4' & 8'

## Photometry

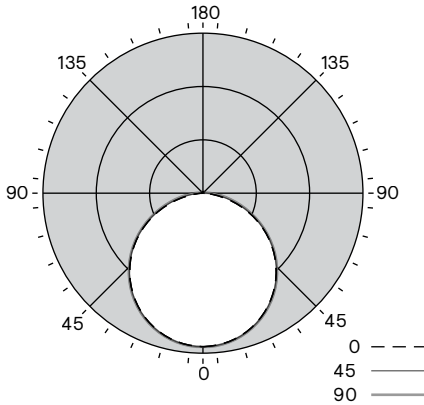
### NWL860100L8CST-UN3-DIM

Luminaire Lumens	6300
Luminaire Efficacy Rating (LER)	121
Total Luminaire Watts	52
Spacing Criterion (0-180)	1.3
Spacing Criterion (0-180)	1.3

	Candela Distribution					Flux
	0	45	90	135	180	Lumens
0	2112	2112	2112	2112	2112	
5	2099	2101	2103	2105	2107	200
15	2026	2029	2031	2033	2036	573
25	1884	1887	1890	1893	1897	871
35	1680	1684	1687	1691	1695	1055
45	1420	1425	1429	1433	1438	1102
55	1112	1118	1123	1128	1133	1003
65	763	771	780	788	796	771
75	391	409	427	445	463	453
85	67	100	133	166	199	155
90	4	31	58	85	111	

Zonal Lumen Summary			
Zone	Lumens	%Fixture	%Lamp
0-30	1644	26.1%	26.1%
0-40	2700	42.8%	42.8%
0-60	4805	76.2%	76.2%
0-90	6184	98.2%	98.2%
0-180	116	1.8%	1.8%
0-180	6300	100.0%	100.0%

Avg. Luminance (cd/m <sup>2</sup> )			
	0	45	90
45	6057	5987	5984
55	5844	5752	5753
65	5436	5348	5389
75	4536	4643	4922
85	2293	3767	5303



Coefficients of Utilization % (Based on a floor reflectance of 0.2)											
RCR	Pc---	80			70			50			0
		70	50	30	10	70	50	30	50	30	10
0	119	119	119	119	116	116	116	110	110	110	98
1	108	103	99	95	105	101	97	96	93	90	81
2	98	90	83	77	95	87	81	84	78	74	67
3	89	78	70	64	87	77	69	73	67	61	57
4	82	69	60	54	79	68	60	65	58	52	48
5	75	62	53	46	73	61	52	58	51	45	42
6	69	56	47	40	67	55	46	53	45	39	36
7	64	50	42	35	62	50	41	48	40	35	32
8	60	46	37	32	58	45	37	44	36	31	28
9	56	42	34	28	54	42	34	40	33	28	26
10	52	39	31	26	51	38	31	37	30	25	23

\* Based on a floor reflectance of 0.2