

# Aluminum Mounting Channel

## 4' / 6' STANDARD FORMAT

Project Name	Type
Catalog #	Date

### PRODUCT OVERVIEW

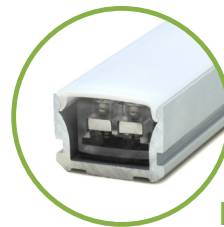
GM Lighting's **LED-CHL2** channel accepts most low voltage, GM Lighting LED tapes and EST connectors for easy installation. See catalog for compatibility with tape widths. These channels come in several colors and are the perfect vessel to blend with many architectural styles. The standard white lens provides provide a soft, direct light or choose a black lens and channel for dynamic effect.

### FEATURES

- 4ft (48in) and 6ft (72in) length
- Available in clear anodized silver, white or black finish with white acrylic lenses
- Includes 2 with 4ft or 4 with 6ft mounting clips and screws
- Black lens option to minimize view of channel and lens
- End caps sold separately
- For select LTR Series Tape - **LTR-P**, **LTR-S** and **LTR-E**

### APPLICATIONS

- Ceiling corners
- Vertical corner accent
- Night club (black lens)
- Undercabinet
- Bookcase
- Hospitality



Fits EST connectors for easy assembly

### ORDERING INFORMATION

Example: **LED-CHL2-4-CA**

Channel/Lens	Color	Length	Description
LED-CHL2-4-CA	Silver	4'	4' channel, 4' white lens (2) mounting clips, (2) screws
LED-CHL2-4-WH	White		
LED-CHL2-4-BK	Black		
LED-CHL2-6-CA	Silver	6'	6' channel, 6' white lens, (4) mounting clips, (4) screws
LED-CHL2-6-WH	White		
LED-CHL2-6-BK	Black		
LED-CHL2 LENS-4-BK	Black	4'	4 foot lens in black for <b>LED-CHL2-4</b>
LED-CHL2 LENS-6-BK	Black	6'	6 foot lens in black for <b>LED-CHL2-6</b>

### ACCESSORIES

Catalog No.	Color	Description
LED-CHL2-ECG	Silver	(2) End caps for <b>LED-CHL2-CA</b> : light gray, one solid, one with hole
LED-CHL2-ECW	White	(2) End caps for <b>LED-CHL2-WH</b> : white, one solid, one with hole
LED-CHL2-ECB	Black	(2) End caps for <b>LED-CHL2-BK</b> : black, one solid, one with hole
LED-CHL2-MC	Silver	(2) Mounting clips and (2) screws
LED-CHL2-AMC	White	(2) Adjustable mounting clips and (2) screws

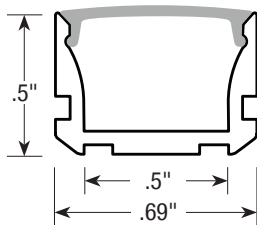
# Aluminum Mounting Channel

4' / 6' STANDARD FORMAT

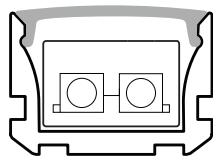
LED Tape Compatibility				
LED Tape Series	Connectors	Soldered Leads	Tape width	Location
LTR-P Professional Series	EST	Yes	10mm	Dry
LTR-S (2.5W, 5.8W)	EST	Yes	10mm	Dry
LTR-S COB (Chip On Board)	-	Yes	10mm	Dry
LTR-S DTW (Dim to Warm)	EST	Yes	10mm	Dry
LTR-S-TUN (Tunable White)	-	Yes	10mm	Dry
LTR-E Economy Series	ST	Yes	8mm	Dry

**DIMENSIONS**

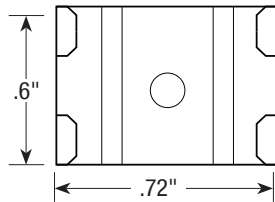
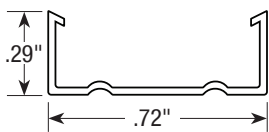
**LED-CHL2-4  
LED-CHL2-6**



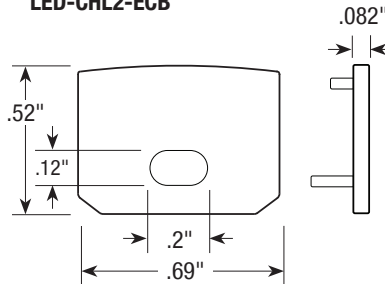
**LED-CHL2 with  
EST Connector**



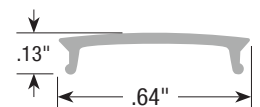
**LED-CHL2-MC**



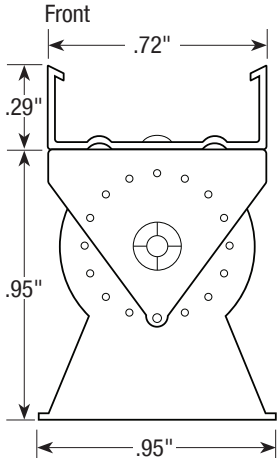
**LED-CHL2-ECG  
LED-CHL2-ECW  
LED-CHL2-ECB**



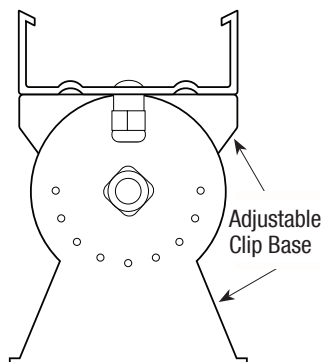
**White and Black Lenses**



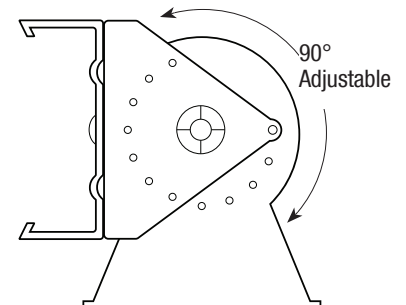
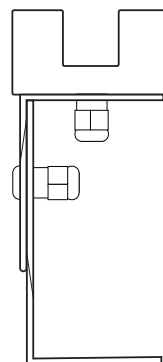
**LED-CHL2-AMC**



**Back**



**Side**



**SPECIFICATIONS**

- Channel: Extruded aluminum
- Lens: Acrylic, black lens has 25% transmission
- Mounting Clip: Stainless steel
- Adjustable Clip Base: Plated steel
- Warranty: 5 years