



The Day-Brite / CFI HCY sealed high bay is an ideal choice where functional high bay lighting is needed with an aesthetic appeal. The round form factor lends itself to retail and institutional applications.

Project: \_\_\_\_\_  
 Location: \_\_\_\_\_  
 Cat.No: \_\_\_\_\_  
 Type: \_\_\_\_\_  
 Qty: \_\_\_\_\_  
 Notes: \_\_\_\_\_



### Ordering guide

Example: HCY0823L8CST-UN3-DIM

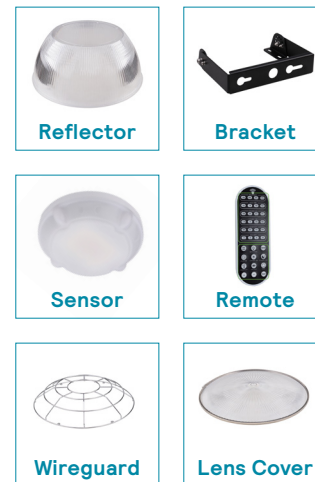
Series	Lumens <sup>1</sup> (nominal)	Color (CRI/CCT)	Voltage	Voltage	Finish
<b>HCY</b>		<b>8CST</b> —	<b>UN3</b> —	<b>DIM</b> —	
HCY Round High Bay LED dual select	<b>0823L</b> 8,000/14,000/23,000lm <b>2437L</b> 24,000/32,000/37,000lm	<b>8CST</b> 80 CRI, Color Select (3500/4000/5000K)	<b>UN3</b> Universal voltage 120-347V	<b>DIM</b> 0-10v dimming	<b>BK</b> Black <b>WH</b> White

1. Nominal delivered lumens at 25°C ambient.

Note: Many luminaire components, such as reflectors, lenses, sockets, lampholders, and LEDs are made from various types of plastics which can be adversely affected by airborne contaminants. If sulfur based chemicals, petroleum based products, cleaning solutions, or other contaminants are expected in the intended area of use, consult factory for compatibility.

### Accessories (order separately)

Cat Code	Description
HCY3-SURFACE BKT SM	Surface mount bracket for HCY0823L
HCY3-SURFACE BKT LG	Surface mount bracket for HCY2437L
HCY3-PRSM	Clear polycarbonate reflector for HCY0823L
HCY3-PRLG	Clear polycarbonate reflector for HCY2437L
HCY3-WGSM	Wire guard for HCY0823L
HCY3-WGLG	Wire guard for HCY2437L
HCY3-LCSMLG	Clear polycarbonate lens cover for HCY3
HCY-SENSOR	Field installed microwave sensor
HCY-REMOTE	Remote hand-held programmer for HCY-SENSOR



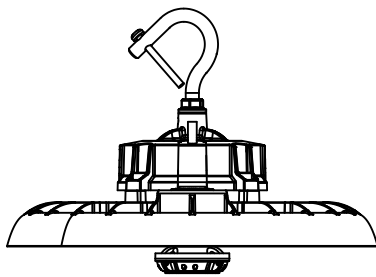
### Features

- Die cast frame and driver containment housing.
- Corrosion resistant black and white finish.
- Clear polycarbonate lens protects LEDs.
- Heavy duty hook provided for connection to customer-supplied suspension.
- Driver surge protection is 4kV L-N and 6kV LN-GND.
- Lumen maintenance up to 70% (L70) at 50,000 hrs.
- Default HCY-SENSOR settings are 1 minute timeout to 20% dim level, then 1 minute timeout to off. HCY-REMOTE must be used to change default sensor settings.
- HCY-SENSOR may be used up to 50ft mounting height.
- Note that using the sensor together with the reflector will affect sensor performance.
- Exposed leads for wiring connection with sleeving for environmental protection.
- 6' cord provided for power connection and dimming connection.
- Field CCT and Lumen selectable.
  - Default CCT setting is 4000K.
  - Default lumen setting for small is 23000lm.
  - Default lumen setting for large is 37000lm.
- cULus listed for use in wet locations for -30°C to 50°C ambient.
- IP65 and NEMA4X rated. IK08 impact rated.
- Components are RoHS compliant.
- DesignLights Consortium qualified. Please see the DLC QPL list for exact catalog numbers ([www.designlights.org/QPL](http://www.designlights.org/QPL))
- Five year limited luminaire warranty. Visit [www.signify.com/warranties](http://www.signify.com/warranties) for complete warranty information.

# HCY Round High Bay

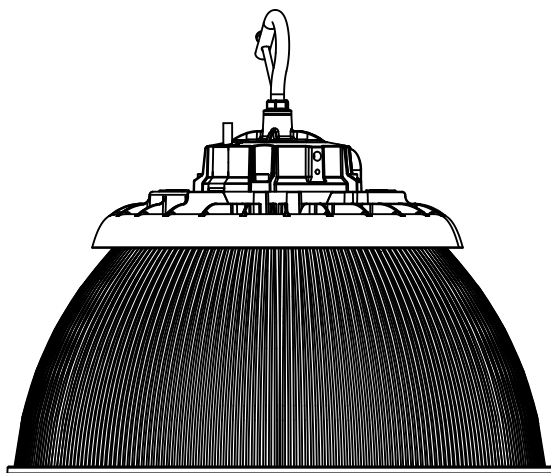
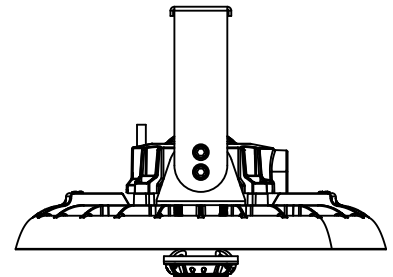
Dual Select (8,000 to 37,000lm)

## Dimensions

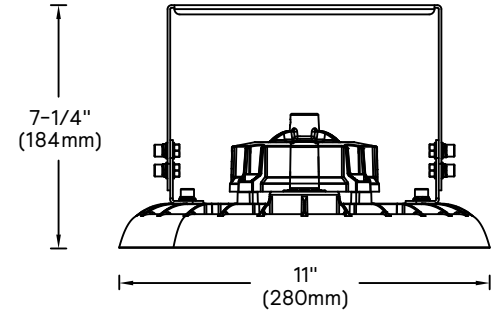


HCY0823

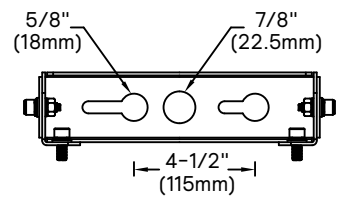
3/4"  
(20mm)



7-1/8" (182mm)  
4" (104mm)  
6-1/4" (160mm)  
13-3/8" (342mm)



1-7/8" (46mm)



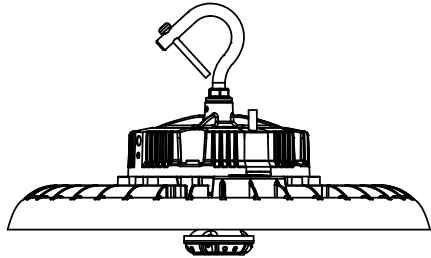
8-1/8" (207mm)

# HCY Round High Bay

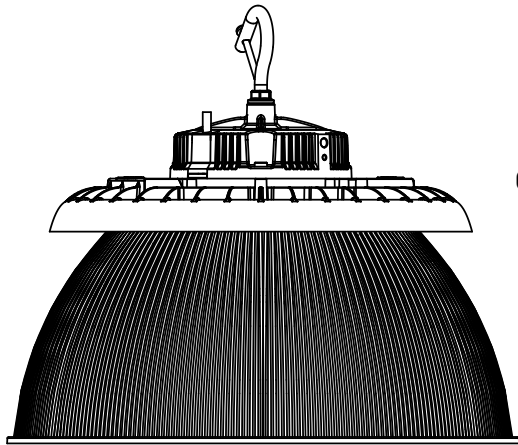
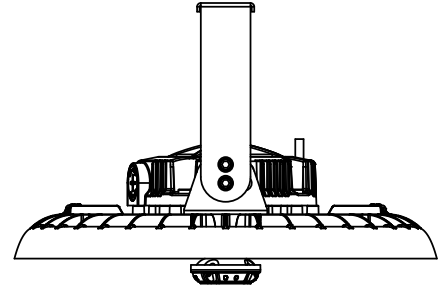
Dual Select (8,000 to 37,000lm)

## Dimensions

HCY2437

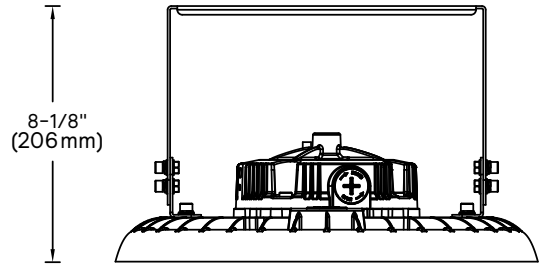


3/4"  
(20mm)



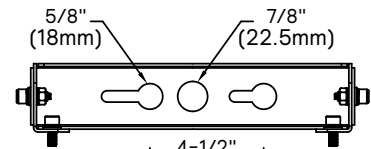
16-1/4"  
(411mm)

7-1/8" (182mm)  
4" (104mm)  
13-3/8" (342mm)  
6-1/4" (160mm)



8-1/8"  
(206mm)

13-3/8"  
(340mm)



5/8" (18mm)  
7/8" (22.5mm)  
4-1/2" (115mm)

10"  
(256mm)

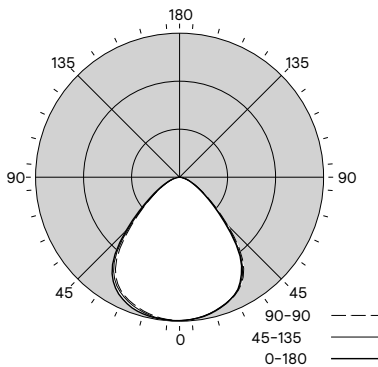
# HCY Round High Bay

## Dual Select (8,000 to 37,000lm)

### Photometry

#### HCY21L8CST-UN3-DIM-4000K

Luminaire Lumens	23000
Luminaire Efficacy Rating (LER)	153
Total Luminaire Watts	150
Spacing Criterion (0-180)	1.24



Candela Distribution						Flux
	0	45	90	135	180	Lumens
0	11255	11255	11255	11255	11255	
5	11202	11181	11202	11231	11249	1069
15	10868	10828	10873	10975	11102	3098
25	10196	10180	10239	10349	10559	4760
35	8488	8626	8769	9022	9233	5482
45	4989	5140	5355	5653	5935	4230
55	2378	2470	2581	2634	2832	2381
65	1126	1170	1206	1232	1316	1243
75	461	482	493	508	524	537
85	67	72	76	81	80	99
90	2	2	1	3	2	
95	3	3	1	3	2	2
105	6	6	1	1	2	4
115	12	12	2	2	3	7
125	19	20	7	6	6	12
135	29	28	15	15	15	17
145	41	40	28	27	27	21
155	49	49	34	33	33	19
165	57	57	47	46	46	14
175	59	59	57	55	56	5
180	54	54	54	54	54	

Zonal Lumen Summary			
Zone	Lumens	%Fixture	%Lamp
0-30	8927	38.8%	38.8%
0-40	14409	62.6%	62.6%
0-60	21019	91.4%	91.4%
0-90	22899	99.6%	99.6%
90-180	101	0.4%	0.4%
0-180	23000	100.0%	100.0%

Avg. Luminance (cd/m <sup>2</sup> )			
	0	45	90
45	152236	156825	163387
55	89456	92926	97087
65	57476	59719	61574
75	38422	40167	41106
85	16682	17821	18732

Coefficients of Utilization % (Based on a floor reflectance of 0.2)												
PC---	80				70			50		0		
	70	50	30	10	70	50	30	50	30	10	0	
Pw---	0	119	119	119	119	116	116	116	111	111	111	100
	1	111	107	104	101	108	105	102	101	98	96	88
	2	103	96	91	86	100	94	89	91	87	83	77
	3	95	87	80	74	93	85	79	82	77	72	68
	4	88	78	71	65	86	77	70	75	69	64	60
	5	82	71	63	58	80	70	63	68	62	57	54
	6	77	65	57	51	75	64	56	62	56	51	48
	7	71	59	52	46	70	59	51	57	50	46	43
	8	67	55	47	42	65	54	47	53	46	41	39
	9	63	50	43	38	61	50	43	49	42	38	36
	10	59	47	40	35	58	46	39	45	39	34	33

\* Based on a floor reflectance of 0.2

### Photometric Test List

Catalog No.	Delivered Lumens	Input Watts	Efficacy
HCY0823L8CST-UN3-DIM	8000	50	160
HCY0823L8CST-UN3-DIM	14000	90	156
HCY0823L8CST-UN3-DIM	23000	150	153
HCY2437L8CST-UN3-DIM	24000	150	160
HCY2437L8CST-UN3-DIM	33000	210	157
HCY2437L8CST-UN3-DIM	37000	240	154