



► Model 300GCX

SelecTone® Hazardous Location 15W Amplified Speaker

Model 300GCX SelecTone® Amplified Speaker is designed to produce tones, digital voice messages and live public address in harsh environments with high ambient noise levels.

The rugged speaker cone and projector are constructed of spun aluminum. The amplification circuitry, tone module, and gain control are contained in a housing constructed of die-cast aluminum. All surfaces are sealed with powder-coat paint. Dust- and moisture-proof gaskets provide protection from the elements.

SelecTone Amplified Speakers are used individually or as part of a plant-wide emergency notification system. Model UTM Universal Tone Module with 32 tones, or model TM33-SD Custom Tone Module is plugged into a single SelecTone Amplified Speaker for stand-alone use or into a SelecTone Command Unit for plant-wide signaling.

For plant-wide signaling, a Connector Kit is installed into each SelecTone Amplified Speaker and wired to a central controller, SelecTone Command Unit or CommCenter® Digital Message Center. Command Units and CommCenters broadcast tones, voice messages, melodies and live public address to an unlimited number of SelecTone Amplified Speakers.

Applications for SelecTone include emergency warning, evacuation, start/dismissal, public address, and process control signaling.

FEATURES

- Available in 24VAC/DC, 120VAC and 240VAC
- Reliable, solid-state circuitry
- Digital signal amplification
- Fused input and output
- Built-in gain control, adjustable between 0 dBA to 110 dBA @ 10' (0 dBA to 120 dBA @ 1m)
- Cast copper free aluminum housing, spun aluminum projector
- Type 4X, IP66 enclosure
- IP69K compliant
- Indoor/outdoor use
- CSFM Approved
- UL and cUL Listed for Class I, Division 2, Groups A, B, C, and D; Class II, Division 2, Groups F and G; Class III

MODEL	VOLTAGE	OPERATING CURRENT	STANDBY CURRENT *	DECIBELS	
				10'	1M
300GCX-024	24VDC	0.67 amps	50 mA	110	120
	24VAC 50/60Hz	0.90 amps	100 mA	110	120
300GCX-120	120VAC 50/60Hz	0.20 amps	30 mA	110	120
300GCX-240	240VAC 50/60Hz	0.10 amps	15 mA	110	120

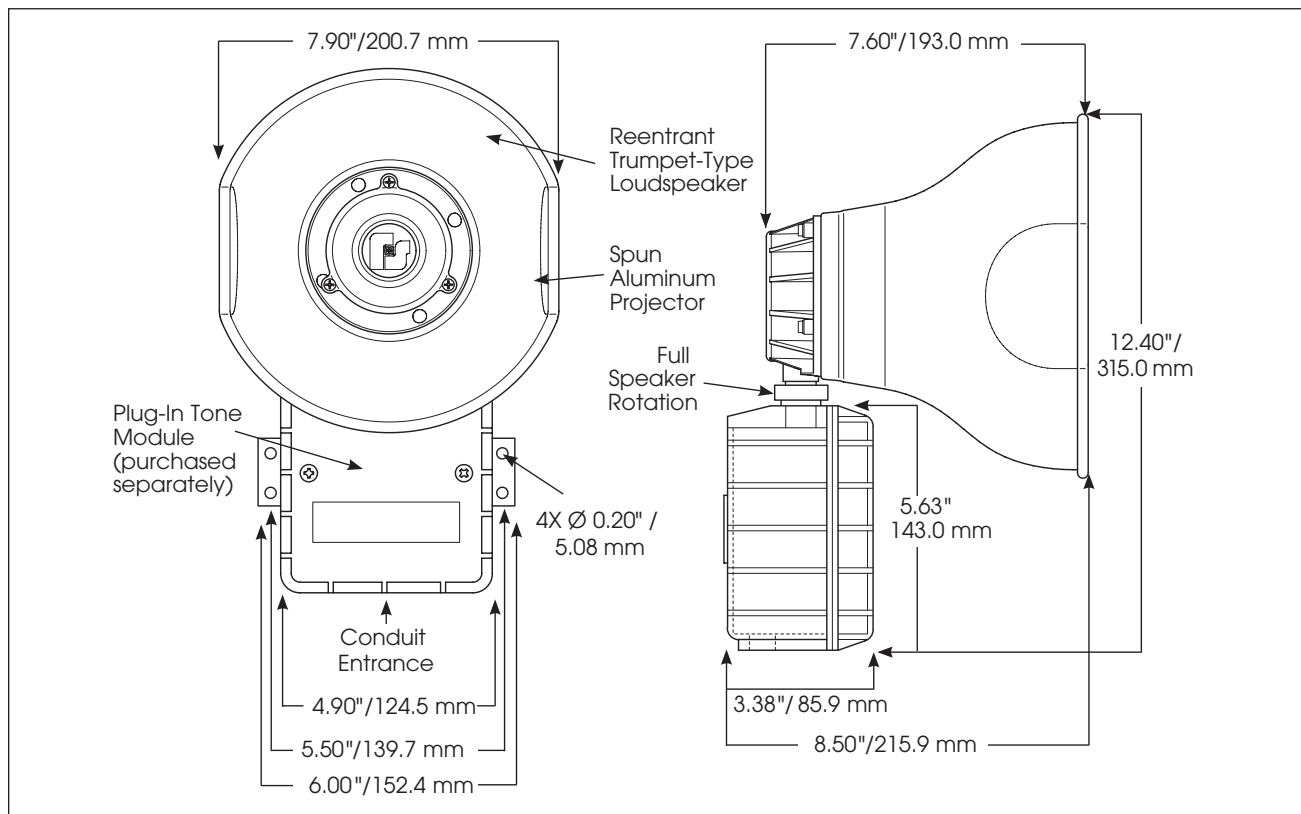
* When used as a powered loud speaker

HAZARDOUS LOCATION RATING: 300GCX

T-CODE AT MAXIMUM AMBIENT TEMPERATURE, °C

Hazardous Location	40°C	66°C
Class I, Division 2, Groups A, B, C, D	T3	T2C
Class II, Division 2, Groups F, G	T6	T6
Class III	T6	T6

SelecTone® Hazardous Location 15W Amplified Speaker (300GCX)



SPECIFICATIONS

Operating Temperature:	-67°F to 150°F	-55°C to 66°C
Rated Power		15 watt
Net Weight:		
24VAC/DC	5.5 lbs	2.5 kg
120/240VAC	5.5 lbs	2.5 kg
Shipping Weight:		
24VAC/DC	6.7 lbs	3.0 kg
120/240VAC	6.7 lbs	3.0 kg
Height:	12.40"	315.0 mm
Width:	7.90"	200.7 mm
Depth:	8.50"	215.9 mm

REPLACEMENT PARTS

Description	Part Number
PCBA, Amp Motherboard, 15W, 24VAC/DC	K2001961B-05
PCBA, Amp Motherboard, 15W, 120/240VAC	K2001961B-04
Amplifier PCBA, 15W	K2005502C-04
XFMR, 15W, 120VAC, 1.3 AMP	K120857A
XFMR, 15W, 240VAC, 1.3 AMP	K120858A
Speaker Assembly, 15W	K8593082A
Voice Coil, 15W	K8593035A
Gasket	K288A043

HOW TO ORDER

300GCX - 024

TYPE
300GCX

VOLTAGE
024 (24VAC/DC)
120 (120VAC)
240 (240VAC)

1. Select Model
2. Select Required Accessory (sold separately)

A. For stand alone operation, select Tone Module:

UTM – Universal Tone Module
TM33-SD – Custom Tone Module

B. For use in systems*, select Connector Kit.

AM25CK – 25 Vrms, 1 Vrms
AM70CK – 70 Vrms, 1 Vrms
300CK – 10 Vrms, 1 Vrms
T-300CK – 2.7 Vrms, 1 Vrms
E-300CK – 1 Vrms, 1 Vrms

*Call factory for design assistance