



► Model LP6

StreamLine® Low Profile Mini Strobe

Model LP6 is a very compact, high power strobe light designed for applications where space is critical. At 3-5/8" high, this strobe light is ideal for forklift applications where head room is important. The LP6 also mounts easily to small control panels.

The LP6 features a two joule power supply that works in multiple voltages from 12-48VDC to 120VAC. Modular construction incorporates a powerful flash tube and vibration resistant circuit board.

The LP6 housing utilizes a unique screw-on lens for easy relamping and service. This economical light does not sacrifice power for price or size.

FEATURES

- Available in 12-48VDC and 120VAC
- Screw-on lens available in five colors: Amber, Blue, Clear, Green and Red
- Surface mount
- Conformal coated PCB
- Type 4X enclosure
- CSA Certified
- UL and cUL Listed

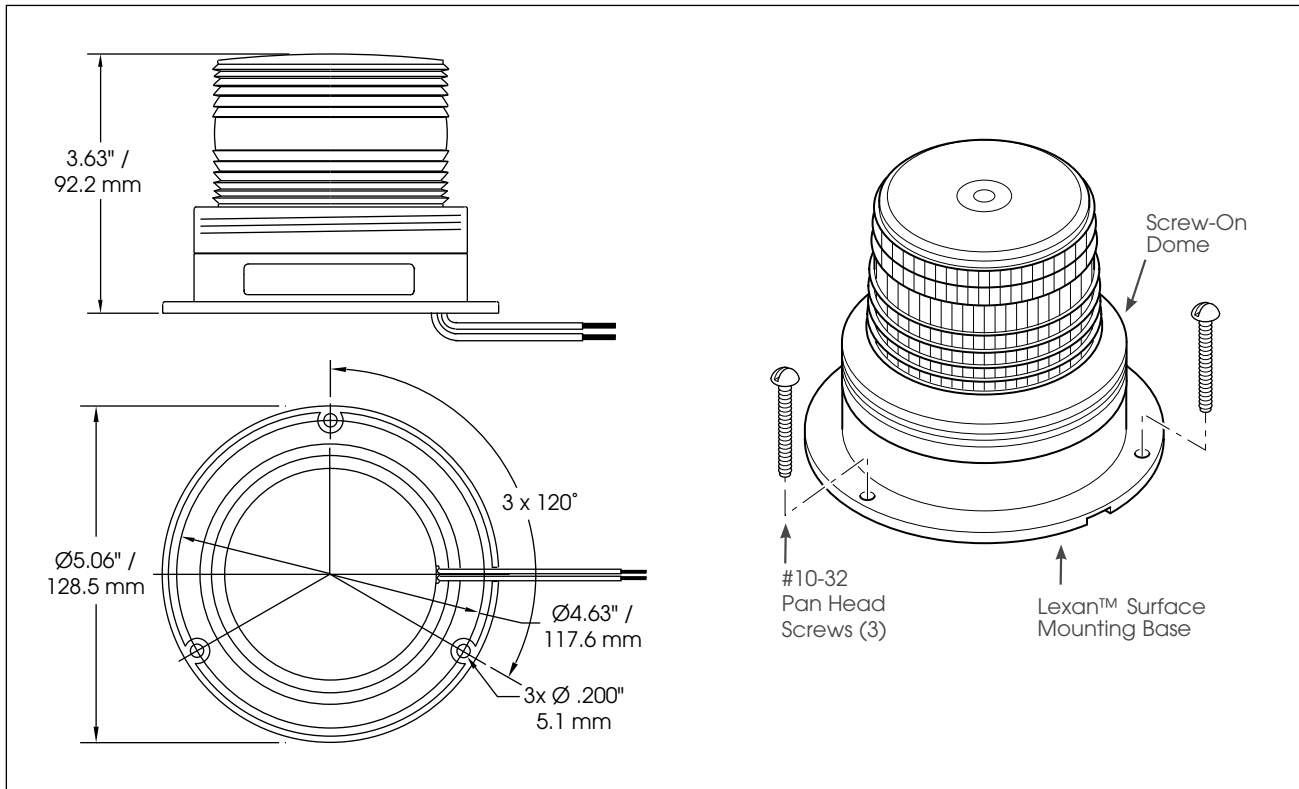
MODEL	VOLTAGE	OPERATING CURRENT	FLASH RATE / MINUTE	LIGHT OUTPUT	
				PEAK ¹	ECP ²
LP6-012-048*	12-48VDC	0.44-0.10 amps	65-95	175,000 cd	51.5 cd
LP6-120*	120VAC	0.10 amps	65-95	175,000 cd	51.5 cd

* Indicates color: (A) Amber, (B) Blue, (C) Clear, (G) Green or (R) Red

¹ Peak candela is the maximum light intensity generated by a flashing light during its light pulse

² ECP (Effective Candela) is the intensity that would appear to an observer if the light were burning steadily

StreamLine® Low Profile Mini Strobe (LP6)



SPECIFICATIONS

Lamp Life:	7,000 Hours	
Light Source:	Strobe tube	
Operating Temperature:	-31°F to 150°F	-35°C to 65°C
Net Weight:	0.65 lbs	0.29 kg
Shipping Weight:	0.85 lbs	0.39 kg
Height:	3.63"	92.2 mm
Diameter:	5.06"	128.5 mm

REPLACEMENT PARTS

Description	Part Number
Lens Kit, Amber ¹	K8589037A
Lens Kit, Blue ¹	K8589037A-01
Lens Kit, Clear ¹	K8589037A-02
Lens Kit, Green ¹	K8589037A-03
Lens Kit, Red ¹	K8589037A-04
Strobe Tube	K149130A

¹ Kit Includes the lens and a gasket

HOW TO ORDER

