



► Model LP1

StreamLine® Low Profile Mini Strobe

Model LP1 low profile strobe light is a rectangular Type 4X strobe light that is available in five colors: Amber, Blue, Clear, Green and Red. The LP1 is designed to be flush mounted to control panels or other flat surfaces. Mounting is accomplished with two supplied 1-1/4" 8/32 slotted hex bolts. A neoprene gasket is supplied to create a water-tight and dust-tight seal. The gasket mounts between the base of the light and the mounting surface.

The LP1 is especially suited for use on control panels, machines, above entry ways, on walls, and along assembly lines. The 12 and 24VDC units are suitable in battery backup systems and vehicular applications such as forklifts and moving guided vehicles.

FEATURES

- Available in 12VDC, 24VDC and 120VAC
- Surface mount
- Five lens colors: Amber, Blue, Clear, Green and Red
- Low profile – Height 2.61" by Width 2.33" by Length 5.05"
- Conformal coated PCB
- Type 4X enclosure
- UL and cUL Listed

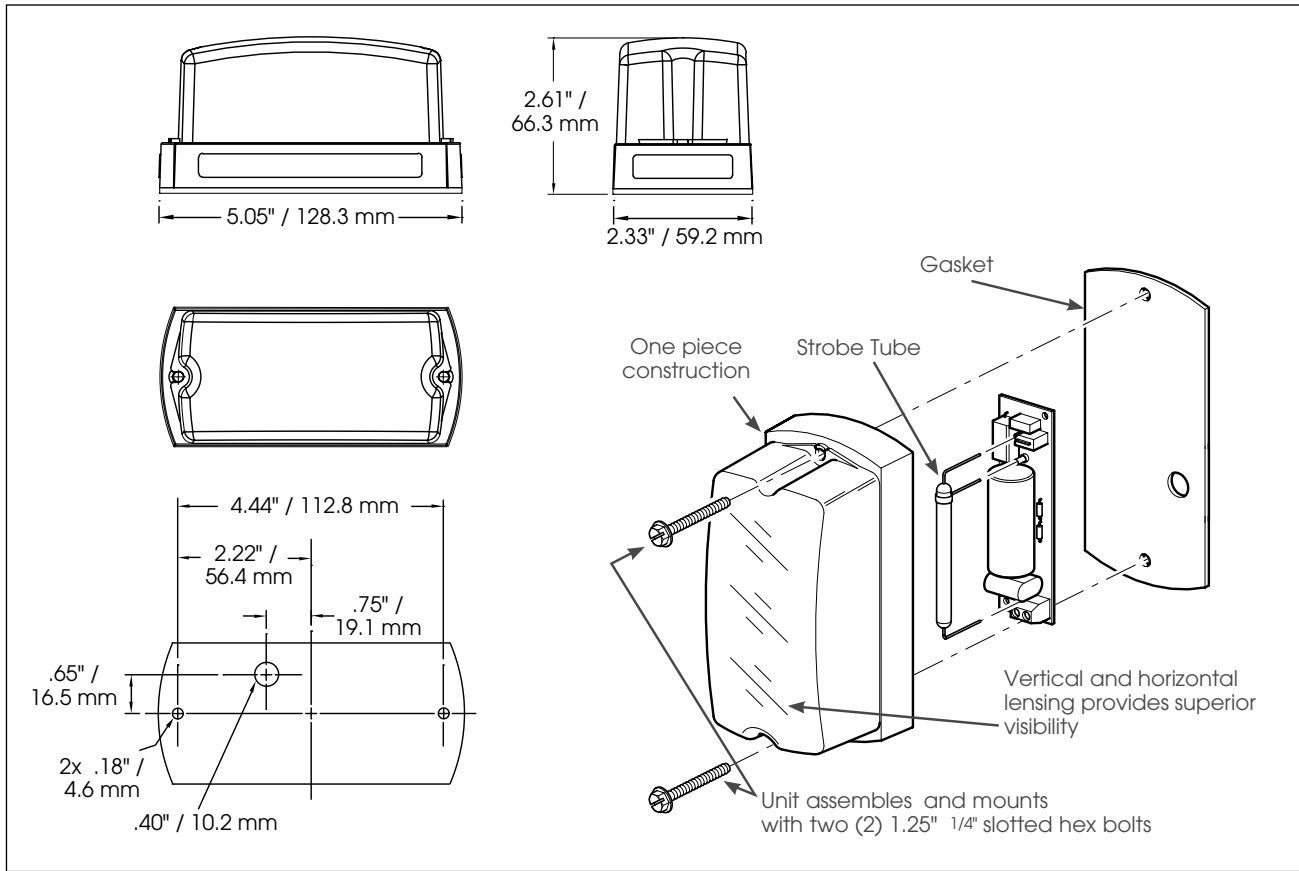
MODEL	VOLTAGE	OPERATING CURRENT	FLASH RATE / MINUTE	LIGHT OUTPUT		MOUNT
				PEAK ¹	ECP ²	
LP1-012 *	12VDC	0.18 amps	80	108,000 cd	30 cd	Surface
LP1-024 *	24VDC	0.08 amps	80	108,000 cd	30 cd	Surface
LP1-120 *	120VAC	0.06 amps	80	108,000 cd	30 cd	Surface

* Indicates color: (A) Amber, (B) Blue, (C) Clear, (G) Green or (R) Red

¹ Peak candela is the maximum light intensity generated by a flashing light during its light pulse

² ECP (Effective Candela) is the intensity that would appear to an observer if the light were burning steadily

StreamLine® Low-Profile Mini Strobe (LP1)



SPECIFICATIONS

Lamp Life:	4,000 Hours	
Light Source:	Strobe tube	
Operating Temperature:	-31°F to 151°F	-35°C to 66°C
Net Weight:	0.23 lbs	0.1 kg
Shipping Weight:	0.6 lbs	0.27 kg
Height:	2.61 "	66.3 mm
Width:	2.33 "	59.2 mm
Length:	5.05 "	128.3 mm

HOW TO ORDER

LP1	-	012	A
TYPE LP1		VOLTAGE 012 (12VDC) 024 (24VDC) 120 (120VAC)	COLOR A Amber B Blue C Clear G Green R Red

REPLACEMENT PARTS

Description	Part Number
Replacement Strobe Tube	K149128A
Housing and Lens Assembly, Amber	K8435711A-02
Housing and Lens Assembly, Blue	K8435711A-03
Housing and Lens Assembly, Clear	K8435711A
Housing and Lens Assembly, Green	K8435711A-04
Housing and Lens Assembly, Red	K8435711A-01
PCBA, 120VAC	K2001195E