



► Model LP22LED RGB

## StreamLine® Low Profile Multicolor LED Light

Model LP22LED RGB is a steady, multicolor LED light with an opaque lens ideal for applications requiring low profile, proximity signaling. This model is equipped with RGB LEDs that allow users to select 1 of 7 color options (Amber, Blue, Green, Magenta, Red, White, Yellow) under one unit.

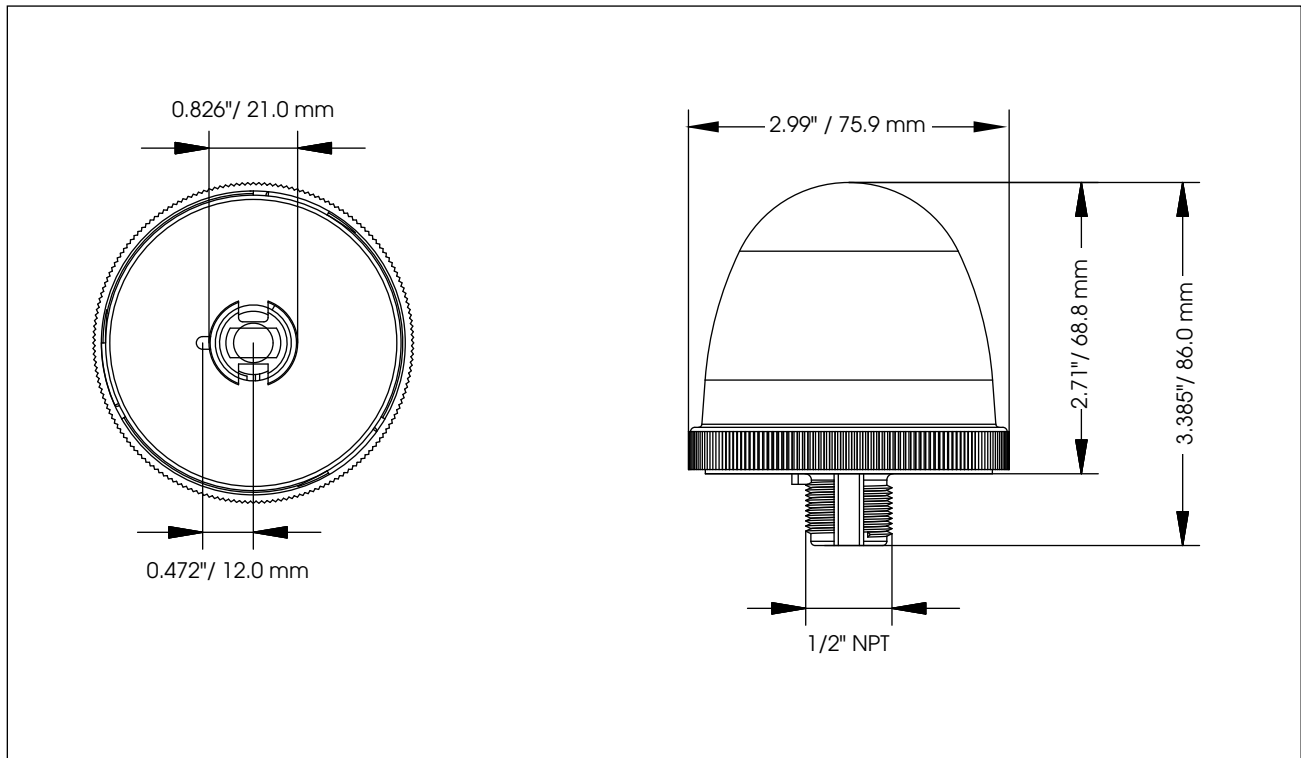
LP22LED RGB offers a self-extinguishing polycarbonate housing that protects against vibrations, dust, and atmospheric elements. It can be surface, panel, or 1/2" NPT pipe mounted through the integrated pipe mount.

### FEATURES

- Available in 12-24VAC/DC and 90-240VAC
- Surface, panel, or 1/2" NPT pipe mount
- Steady light effect
- 7 color options in one unit: Amber, Blue, Green, Magenta, Red, White and Yellow
- Self-extinguishing polycarbonate housing
- Type 4X, IP65 enclosure
- CE Certified
- UL and cUL Listed

MODEL	MAXIMUM OPERATING CURRENT (mA)			
	12VAC/DC	24VAC/DC	90VAC	240VAC
<b>LP22LED-012-024RGB</b>	220	220	N/A	N/A
<b>LP22LED-090-240RGB</b>	N/A	N/A	40	40

# StreamLine® Low Profile Multicolor LED Light (LP22LED RGB)



## SPECIFICATIONS

Lamp Life:	50,000 Hours	
Light Source:	LED	
Operating Temperature Range:	-22°F to 122°F	-30°C to 50°C
Net Weight:	3.53 oz	0.1 kg
Shipping Weight:	1.02 lbs	0.46 kg
Height — above surface:	2.71 "	68.8 mm
Height:	3.39 "	86.0 mm
Diameter:	2.99 "	75.9 mm

## HOW TO ORDER

**LP22LED - 012-024 RGB**

**TYPE**  
LP22LED

**VOLTAGE**  
**012-024**  
(12-24VAC/DC)

**090-240**  
(90-240VAC)