

Project: \_\_\_\_\_ Type: \_\_\_\_\_

Drawn by: \_\_\_\_\_ Catalogue #: \_\_\_\_\_ Date: \_\_\_\_\_

## Individual Spec Sheet

# WPS GEN 5

## CLASSIC WALL PACK

3 CCT and Power Selectable

Integrated Photocell

Multi-Voltage (120-347 V)

### ORDERING INFORMATION

**Order code:** 69910  
**Model number:** WPS-PS100B-Q-3C-BR  
**UPC:** 069549031319  
**Case quantity:** 1  
**DLC unique ID:** S-1PY77J

### PHYSICAL DATA

**Lens material:** Prismatic tempered glass lens  
**Finish:** Bronze  
**Housing material:** Die cast aluminum  
**Photocell:** Yes

### PERFORMANCE DATA

**Watts (W):** 60/80/100  
**Volts (V AC):** 120-347  
**Color temperature (K):<sup>1</sup>** 3 000/4 000/5 000  
**Lumen output (lm):<sup>2</sup>** 8819-14554  
**Efficacy (lm/W):** 153-156  
**CRI:** 80+  
**Life L70 (h):<sup>3</sup>** 50,000  
**Tested LM-80 (h):<sup>3</sup>** 9,000  
**Photocell included** Yes  
**Dimming:** Yes  
**THD (%):** 20  
**B.U.G. :** 345  
**LED current (mA)** 410  
**Power factor:** 0.9  
**Operating temp. range:** -40 °C to 50 °C (-40 °F to 122 °F)

<sup>1</sup> Typical color temperature range: +/- 5 %.

<sup>2</sup> Lumen values are derived from photometric testing. Initial lumens range: +/- 10 %.

<sup>3</sup> Life hours are derived from IESNA LM80 testing report and projected per IESNA TM-21 extrapolations.

### ACCESSORIES (order separately)

Order code	Description
69915	Wireguard
69916	Bronze glareshield



3 000/4 000/5 000 K



power  
selectable



dimmable



quick  
ship



LED  
fixture



wet  
location



IK04



ICES  
005



This lighting equipment meets requirements of ICES-005 issue 5 class B for use in residential applications.

Data is based upon tests performed in a controlled environment.

Actual performance can vary depending on operating conditions. Specifications are subject to change without notice.

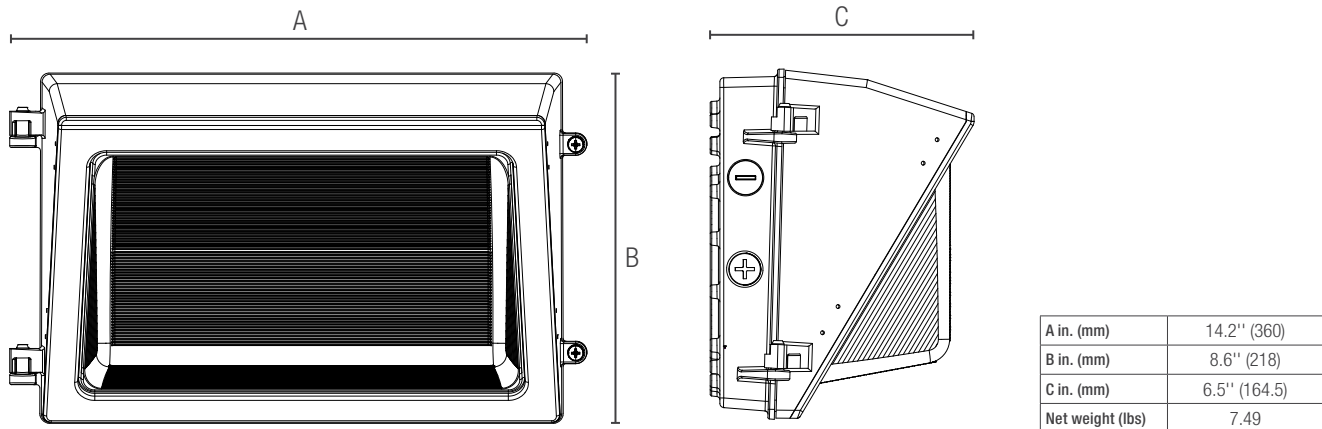
**CONFIGURABLE TECHNICAL SPECIFICATION TABLE**

Order code	Model number	Watts (W)	3 000 K		4 000 K		5 000 K	
			Lumen output (lm)	Efficacy (lm/W)	Lumen output (lm)	Efficacy (lm/W)	Lumen output (lm)	Efficacy (lm/W)
69910	WPS-PS100B-Q-3C-BR	60	8 678	149	8 819	154	8 699	149
		80	11 678	146	12 053	153	11 741	146
		100	13 574	142	14 554	156	13 676	143

**DEFAULT PROGRAMMING**

69910: 100 W / 4 000 K

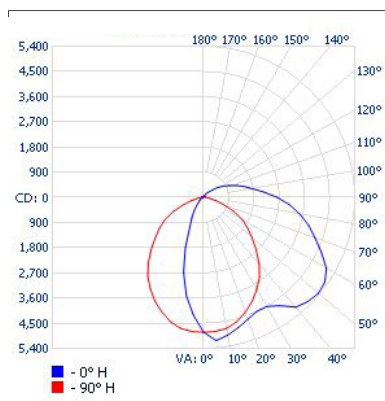
**DIMENSIONS AND WEIGHT**



**PHOTOMETRIC DATA<sup>1</sup>**

**69910 • WPS-PS100B-W-3C-XX • 100 W • 4 000 K • 14 554 lm**

**Polar candela distribution**



<sup>1</sup> Complete IES files available on our website.

**Zonal lumen summary**

Zone	Lumens	% Fixture
0-30	3 143.2	21.7
0-40	4 902.9	33.81
0-60	8, 682.7	59.81
60-90	4 080.0	28.1
70-100	3 064.9	21.1
90-120	1 436.1	9.9
0-90	12 762.8	87.9
90-180	1 749.2	12.1
0-180	14 512.0	100

**Illuminance at a distance**

Center beam fc		Beam width	
8.3'	70.0 fc	21.7'	18.7'
16.7'	17.3 fc	43.6'	37.7'
25.0'	7.71 fc	65.3'	56.4'
33.3'	4.35 fc	87.0'	75.1'
41.7'	2.77 fc	108.9'	94.1'
50.0'	1.93 fc	130.6'	112.8'

■ Vert. spread: 105.1°  
■ Horiz. spread: 96.9°

Qty	Description	Price

I accept the specifications of the luminaire configuration mentioned above.

Name: \_\_\_\_\_  
 Company: \_\_\_\_\_  
 Signature: \_\_\_\_\_

Date: \_\_\_\_\_

Data is based upon tests performed in a controlled environment. Actual performance can vary depending on operating conditions. All products are subject to change or may be discontinued any time without notice. Please contact your Stanpro customer service representative to confirm inventory levels at time of order.