

Project: _____ Type: _____

Drawn by: _____ Catalogue #: _____ Date: _____

Individual Spec Sheet

WPS GEN 5

CLASSIC WALL PACK

3 CCT and Power Selectable

Integrated Photocell

Multi-Voltage (120-347 V)

ORDERING INFORMATION

Order code: 69914
Model number: WPS-NS120B-Q-3C-BK
UPC: 069549031357
Case quantity: 1
DLC unique ID: S-78JP1Z

PHYSICAL DATA

Lens material: Prismatic tempered glass lens
Finish: Black
Housing material: Die cast aluminum
Photocell: Yes

PERFORMANCE DATA

Watts (W): 120
Volts (V AC): 120-347
Color temperature (K):¹ 3 000/4 000/5 000
Lumen output (lm):² 17 430
Efficacy (lm/W): 154
CRI: 80+
Life L70 (h):³ 50,000
Tested LM-80 (h):³ 9,000
Photocell included: Yes
Dimming: Yes
THD (%): 20
B.U.G. : 355
LED current (mA) 490
Power factor: 0.9
Operating temp. range: -40 °C to 50 °C (-40 °F to 122 °F)

¹ Typical color temperature range: +/- 5 %.

² Lumen values are derived from photometric testing. Initial lumens range: +/- 10 %.

³ Life hours are derived from IESNA LM80 testing report and projected per IESNA TM-21 extrapolations.

ACCESSORIES (order separately)

Order code	Description
69915	Wireguard
69917	Black glare shield



3 000/4 000/5 000 K



power selectable



warranty



quick ship



LED fixture



dimmable



wet location



IK04



ICES 005



This lighting equipment meets requirements of ICES-005 issue 5 class B for use in residential applications. Data is based upon tests performed in a controlled environment. Actual performance can vary depending on operating conditions. Specifications are subject to change without notice.

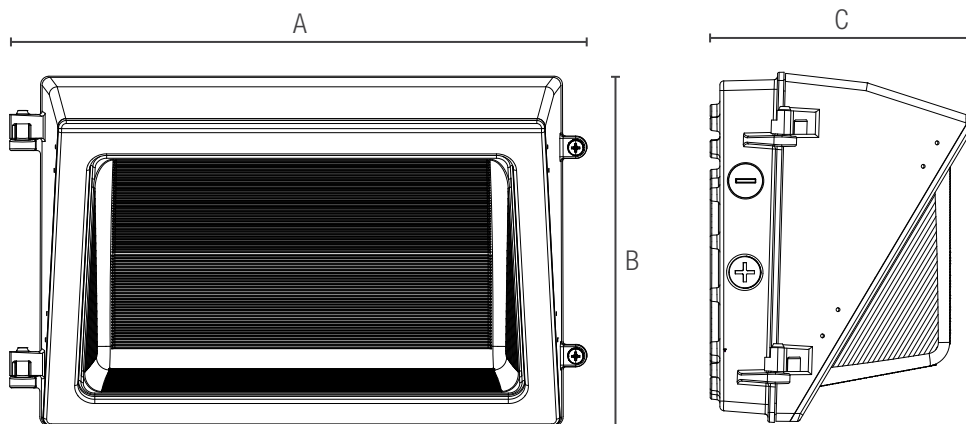
CONFIGURABLE TECHNICAL SPECIFICATION TABLE

Order code	Model number	Watts (W)	3 000 K		4 000 K		5 000 K	
			Lumen output (lm)	Efficacy (lm/W)	Lumen output (lm)	Efficacy (lm/W)	Lumen output (lm)	Efficacy (lm/W)
69914	WPS-NS120B-Q-3C-BR	120	16 491	140	17 430	154	16 582	141

DEFAULT PROGRAMMING

69914: 4 000 K

DIMENSIONS AND WEIGHT

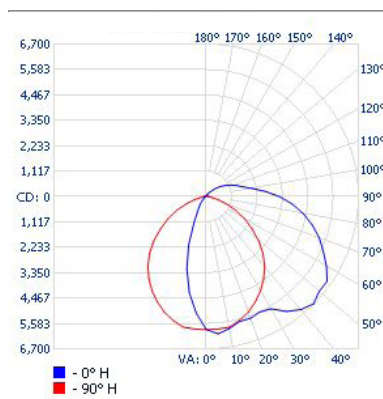


A in. (mm)	14.2" (360)
B in. (mm)	8.6" (218)
C in. (mm)	6.5" (164.5)
Net weight (lbs)	7.49

PHOTOMETRIC DATA¹

69914 • WPS-PS120B-W-3C-XX • 120 W • 4 000 K • 17 430 lm

Polar candela distribution



¹ Complete IES files available on our website.

Zonal lumen summary

Zone	Lumens	% Fixture
0-30	3 817.5	21.1
0-40	5 995.3	33.2
0-60	10 738.1	59.4
60-90	5 219.0	28.9
70-100	3 918.2	21.7
90-120	1 726.6	9.6
0-90	15 957.0	88.3
90-180	2 110.2	11.7
0-180	18 067.2	100

Illuminance at a distance

Center beam fc		Beam width	
8.3'	84.9 fc	21.2'	20.2'
16.7'	21.0 fc	42.7'	40.6'
25.0'	9.35 fc	63.9'	60.8'
33.3'	5.27 fc	85.1'	81.0'
41.7'	3.36 fc	106.5'	101.4'
50.0'	2.34 fc	127.7'	121.6'

■ Vert. spread: 103.9°
■ Horiz. spread: 101.1°

Qty	Description	Price

I accept the specifications of the luminaire configuration mentioned above.

Name: _____

Company: _____

Signature: _____

Date: _____

Data is based upon tests performed in a controlled environment. Actual performance can vary depending on operating conditions. All products are subject to change or may be discontinued any time without notice. Please contact your Stanpro customer service representative to confirm inventory levels at time of order.