

Specification Submittal Data / Panasonic Ventilation Fan/Light

Description

Customizable ceiling mount ventilating fan, low sone and rated for continuous operation. ENERGY STAR[®] rated and certified by the Home Ventilating Institute (HVI). Evaluated by the Underwriters Laboratories and conforms to both UL and cUL standards.

Motor/Blower:

- Enclosed brushless ECM smart motor technology rated for continuous operation
- Adjustable ventilation rates at 110 – 130 – 150 CFM
- Power rating of 120 volts and 60 Hz
- UL and cUL listed for tub/shower enclosure when GFCI protected
- Motor equipped with thermal cutoff fuse
- Removable permanently lubricated plug-in motor

Housing:

- Environmentally friendly 26 gauge housing using Zinc-Aluminum-Magnesium (ZAM) coating
- Integrated 6" diameter duct adapter
- Built-in damper reduces back draft and helps with blower door testing
- Built-in metal flange provides blocking for penetrations through drywall as an Air Barrier, and assists with the decrease in leakage in the Building Envelope during blower door testing
- Suitable for installation in ceilings insulated up to R60
- Articulating and expandable installation bracket up to 24"

Grille:

- Attractive design using Poly Pro material
- Attaches directly to housing with torsion springs
- Includes a motion sensor cap for use as a cover when the motion sensor Plug 'n Play[®] module has not been selected

Warranty:

- ECM Motor: 6 Years from original purchase date
- LED Panel: 5 Years from original purchase date
- ALL Parts: 3 Years from original purchase date

Architectural Specifications:

Customizable ceiling mount ventilation fan, ENERGY STAR[®] rated with built-in 150/130/110 CFM speed selector. Fan can be upgraded with multi-speed module FV-VS15VK for expanded HVI-Certified performance 60-70-80-90-100-110-120-130-150 CFM for continuous ventilation.

Home Ventilating Institute (HVI) Certified at 0.1, 0.25, 0.375, and 0.5" w.g.

6" Duct as Certified by the Home Ventilating Institute (HVI) – ENERGY STAR MOST EFFICIENT 2024

@ 0.1 w.g., 150/130/110 CFM with 0.4/<0.3/<0.3 sone and with energy efficiency no more than 12.1/13.7/16.4 CFM/Watt

@ 0.25 w.g., 150/130/110 CFM with no more than 0.8/0.5/0.3 sones and with energy efficiency no more than 7.9/8.6/9.3 CFM/Watt

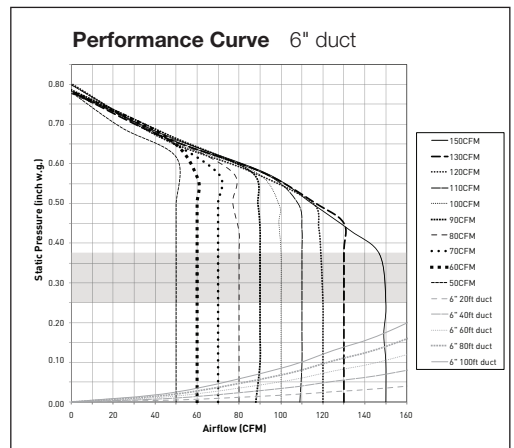
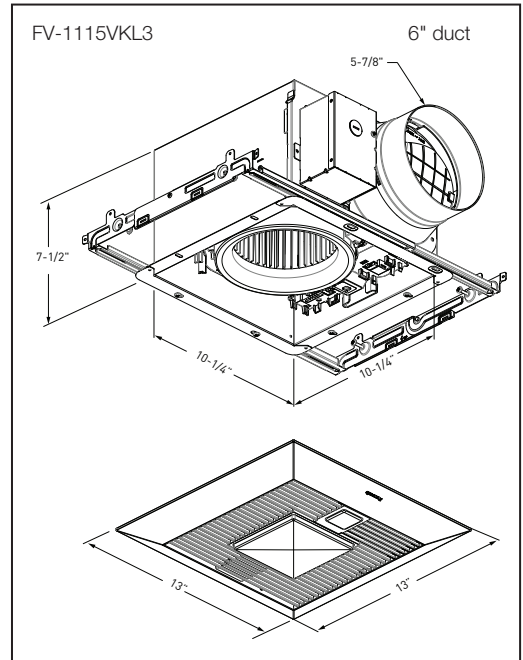
@ 0.375 w.g., 147/130/110 CFM with energy efficiency no more than 6.0/6.2/6.6 CFM/Watt

@ 0.5" w.g., 115/117/108 CFM with energy efficiency no more than 4.8/4.9/4.8 CFM/Watt

The motor shall be enclosed with brushless ECM motor engineered to run continuously. ECM motor speed shall automatically increase when the fan senses static pressure to maintain selected CFM. Power rating shall be 120v/60Hz. Duct diameter shall be no less than 6". Plug 'N Play[®] modules provide additional features such as Multi-Speed 50-150 CFM with Time Delay, Condensation Sensor, SmartAction Motion Sensor, Dual Motion Sensor + Condensation Sensor and Wi-Fi Module. Fan shall be RoHS Compliant and UL and cUL listed for tub/shower enclosure when GFCI protected. Also suitable for installation in ceilings insulated up to R60. Fan can be used to comply with NGBS, ASHRAE 62.2, LEED, ENERGY STAR[®] IAP, EarthCraft, and California Title-24.



Includes 10 Watt Dimmable LED chip panel/3000 Kelvin Warm White/90CRI/700 lumens/70 LPW/ENERGY STAR certified/JA-8 compliant for CA Title 24/50,000 hours rated average life /<1W one LED night light included.



*Industry research indicates static pressure in typical installations ranges from 0.20" to 0.375"



ECM Motor Technology:

When fan senses static pressure, its speed is automatically increased to ensure that the desired CFM is not compromised, which allows the fan to perform as rated.

Model	Quantity	Comments	Project:
			Location:
			Architect:
			Engineer:
			Contractor:
			Submitted by:
			Date:

Plug 'N Play® Modules

Plug 'N Play modules provide up to three additional features. Select from Multi-Speed with Time Delay, Motion Sensor, and Condensation Sensor.



FV-VS15VK1: Multi-Speed with Time Delay

Allows you to select the proper CFM settings to satisfy ASHRAE 62.2 continuous ventilation requirements. The fan runs continuously at a pre-set lower level (0, 30-100 CFM, in 10 CFM increments), then elevates to a maximum level of operation (50-80-110 CFM) when the wall switch is turned on, or when the motion sensor or Condensation Sensor module is activated. A High/Low delay timer returns the fan to the pre-set CFM level after a period of time set by the user.



FV-MSVK1: Motion Sensor

Automatically activates when someone enters the room. Once the settings have been applied, the fan becomes truly automatic. This module also activates a 20 minute delay off timer for the fan.



FV-CSVK1: Condensation Sensor

Helps control bathroom condensation to prevent mold and mildew. Sensor technology detects relative humidity and temperature to anticipate dew point, automatically turning the fan on to control humidity. Built-in Relative Humidity (RH) sensitivity adjustment enables fine tuning for moist conditions and for satisfying CalGreen requirements. When the condensation sensor is used in conjunction with multi-speed functionality, the fan will kick up to high speed when the condensation sensor detects moisture in the room. This module also activates a 20 minute delay off timer for the fan.



FV-CMVK3: Smart Action® Motion Sensor + Condensation Sensor

Turns the base fan on or boosts to higher speed when condensation or motion are detected. Installer / User can choose the desired operation, thanks to advanced automation. Only one slot is required.



WP100PBA: Smart WiFi® Module

The Wi-Fi control module connects, monitors and controls through Wi-Fi the ventilation fan's features (motion sensor, light, etc.) with the Swidget app.

WhisperGreen® Select: FV-1115VKL3 + FV-VS15VK1																																								
Duct Diameter (inches)	6"																																							
Static Pressure in inches w.g.	0.1	0.25	0.375	0.5	0.1	0.25	0.375	0.5	0.1	0.25	0.375	0.5	0.1	0.25	0.375	0.5	0.1	0.25	0.375	0.5	0.1	0.25	0.375	0.5	0.1	0.25	0.375	0.5												
Air Volume (CFM)	150	150	147	115	130	130	130	117	120	120	119	115	110	110	110	108	100	100	100	99	90	90	89	80	80	77	70	70	70	60	60	60	60	50	50	50	50			
Noise (sones)	0.4	0.8	---	---	<0.3	0.5	---	---	<0.3	0.4	---	---	<0.3	0.3	---	---	<0.3	0.3	---	---	<0.3	0.3	---	---	<0.3	0.3	---	---	<0.3	0.3	---	---	<0.3	0.3	---	---				
Power Consumption (watts)	12.5	19.2	24.4	24.3	9.6	15.8	21.3	24.2	8.1	13.7	18.6	23.8	6.9	12.3	17.4	22.8	6.2	11.4	16.5	20.7	5.3	10.4	15.1	19.5	4.7	9.4	13.7	18.2	4.2	8.5	12.8	17.0	4.0	7.7	11.6	15.2	3.5	7.1	10.3	13.6
Energy Efficiency (CFM/Watt)	12.1	7.9	6.0	4.8	13.7	8.6	6.2	4.9	15.1	9.1	6.5	4.9	16.4	9.3	6.6	4.8	16.7	9.2	6.5	4.9	17.5	9.0	6.3	4.7	17.4	9.0	6.2	4.3	16.9	8.4	5.6	4.2	15.6	8.1	5.4	4.1	14.9	7.3	5.2	4.0
Speed (RPM)	729	959	1132	1289	677	944	1136	1288	657	931	1127	1298	635	930	1120	1291	633	930	1125	1282	604	927	1123	1292	595	920	1124	1305	586	916	1134	1312	602	921	1136	1305	582	929	1133	1310
Amps (Current)	0.21	0.3	0.39	0.39	0.16	0.26	0.34	0.38	0.14	0.23	0.31	0.38	0.13	0.21	0.29	0.36	0.12	0.2	0.27	0.34	0.1	0.17	0.25	0.31	0.08	0.16	0.22	0.28	0.08	0.15	0.21	0.27	0.07	0.14	0.19	0.25	0.07	0.12	0.17	0.22
MAX. Amps (Current)	0.39																																							
Thermal Fuse Protection	Yes																																							

Panasonic
IAQ Division
Two Riverfront Plaza
Newark, NJ 07102

na.panasonic.com/us/iaq



Design and specifications subject to change without notice.

