

DLMULTI-024-288W-3T

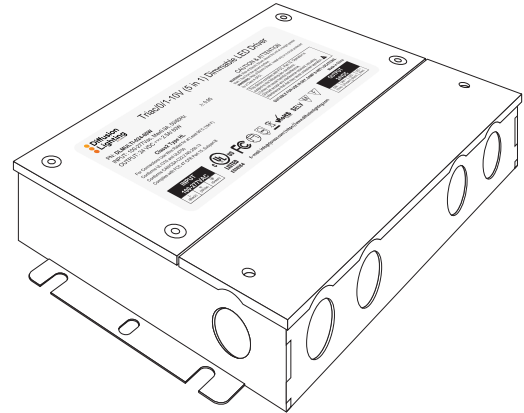
Diffusion LED Driver

Description

Diffusion DLMULTI-024-288W-3T is a three-tap Dimmable LED Driver that works with Forward / Reverse phase, ELV, Triac, or 0-10V Dimmers.

Features

- Protection from short circuits, over current and over voltage
- Internal self-reset mini breakers
- Compatible with virtually every style dimmer
- Flicker-free ~ 20,000 Hz
- Indoor/Outdoor
- High Efficiency
- Working Temp: -40° C to 80° C
- Wet location rated



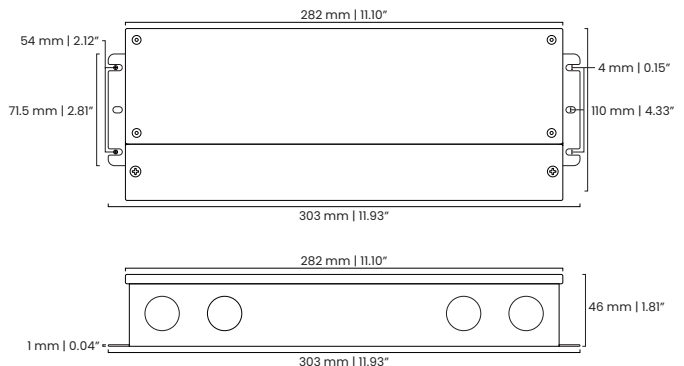
Dimensions

Driver

303 mm (11.93 in) L x 110 mm (4.33 in) W x 46 mm (1.81 in) H

Knock Outs

Sides: (21 mm) 6 x 0.85 in Back: (21 mm) 2 x 0.85 in



Specifications

INPUT VOLTAGE	100-277 VAC	CLASS	Class 2
OUTPUT VOLTAGE	24 Volts DC	ENVIRONMENT	Indoor and Outdoor
OUTPUT CURRENT	3x 4.0 A	IP RATING	NEMA 4X
DIMMABLE	Yes	OPERATING TEMP	-40°C to 80°C
DIMMING RANGE	0-100%		
WATTAGE	288W (3X 96W)		



diffusionlighting.com
1-(866)-RJCROSS (752-7677)

