

# DLMULTI-024-192W-2T

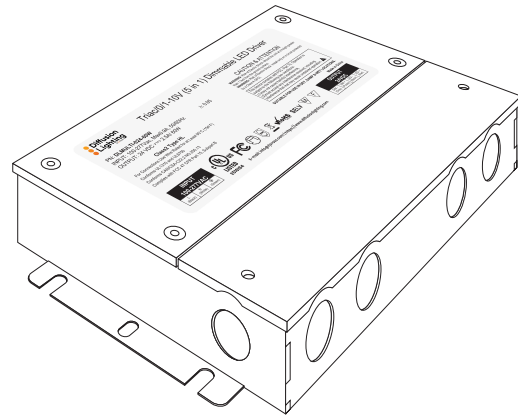
## Diffusion LED Driver

### Description

Diffusion DLMULTI-024-192W-2T is a two-tap Dimmable LED Driver that works with Forward / Reverse phase, ELV, Triac, or 0-10V Dimmers.

### Features

- Protection from short circuits, over current and over voltage
- Internal self-reset mini breakers
- Compatible with virtually every style dimmer
- Flicker-free ~ 20,000 Hz
- Indoor/Outdoor
- High Efficiency
- Working Temp: -40° C to 80° C
- Wet location rated



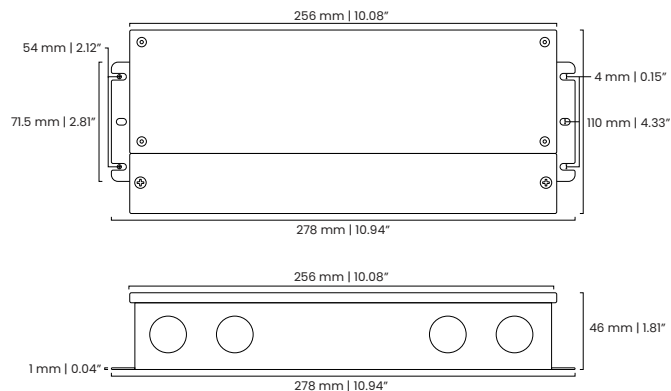
### Dimensions

#### Driver

278 mm (10.94 in) L x 110 mm (4.33 in) W x 46 mm (1.81 in) H

#### Knock Outs

Sides: (21 mm) 6 x 0.85 in Back: (21 mm) 2 x 0.85 in



### Specifications

INPUT VOLTAGE	100-277 VAC	CLASS	Class 2
OUTPUT VOLTAGE	24 Volts DC	ENVIRONMENT	Indoor and Outdoor
OUTPUT CURRENT	2x 4.0 A	IP RATING	NEMA 4X
DIMMABLE	Yes	OPERATING TEMP	-40°C to 80°C
DIMMING RANGE	0-100%		
WATTAGE	192W (2*96W)		



diffusionlighting.com  
1-(866)-RJCROSS (752-7677)

