

PREMIUM EXHAUST FANS

50-80-110 & 110-130-150 Selectable CFM with Continuous Run

PTE511RK: 50-80-110 Selectable CFM with Continuous Run Fan

PTEL511RK: 50-80-110 Selectable CFM with Continuous Run Fan/Light

PTE1115RK: 110-130-150 Selectable CFM with Continuous Run Fan

PTEL1115RK: 110-130-150 Selectable CFM with Continuous Run Fan/Light

Guaranteed performance with revolutionary design.

FEATURES

Motor and Control Technology:

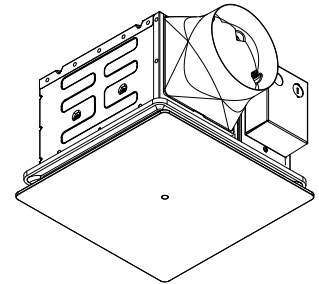
- Resin-based DC internal rotor motor provides higher efficiency and low noise levels
- Selectable CFM setting of 50-80-110 CFM or 110-130-150 CFM
- Continuous run capability ideal for meeting ASHRAE 62.2, LEED and ENERGY STAR® for whole home ventilation requirements. Can be used to comply with CA Title 24, as well as local/spot ventilation needs
- Infinitely precise adjustable low CFM setting to prevent over-ventilating and maximize efficiency
- TrueCFM™ maintains CFM at actual installation conditions, through 0.4" static pressure
- Blower assembly removable and has a centrifugal blower wheel

Housing:

- No rust - 21 gauge galvanized steel housing
- Duct adaptors - 6" metal duct connector with 4" plastic reducer for 50-80-110 CFM models, 6" metal duct connector for 110-130-150 CFM models
- Duct connector and electrical wiring box mounting from inside of the housing provides roomside capable install
- 7-1/8" height allows for 2" x 8" ceiling installations
- Two point vertical drive, two point angled drive
- Telescoping (14" to 24") mounting frame for easy roomside (no attic access required) installation
- Easy snap-in feature to attach housing to mounting frame
- Easy slide-and-lock blower attachment for tight seal for CFM performance and quiet tones
- Two mounting locations for module accessories

Grille:

- ABS polymeric construction
- Clean cover design with floating mounted positioning
- SlideClip™ Grille provides easy and intuitive grill attachment with no springs



Lighting (Lit SKUs only):

- Full face LED lighting (no dark edge spots)
- 800 lumens with 3500K color temperature
- DEL lasts up 25,000 hours

Optional Accessories (sold separately):

- Plug-and-play modules for easy customization:
 - **PES:** Humidity Sensing Module – fan activation when humidity level is above setpoint (50-100%)
 - **PEM:** Motion Sensing Module – fan activation with motion (not compatible with lit SKUs – PTEL511RK & PTEL1115RK)
- **PTRD:** Radiation Damper:
 - UL classified for use in up to 3-hour ceiling constructions (UL 555C and UL 263)
 - No rust – 16 gauge galvanized steel construction
 - Easy slide-on for quick fan attachment
 - Easy access to fan/motor/damper for maintenance

Other

- 5-year warranty on parts
- Fan-only models shall be UL Listed for use over bathtubs and showers when connected to a GFCI-protected branch circuit (ceiling mount only).
- Fan/light models are no UL Listed for use over bathtubs and showers.

PERFORMANCE RATINGS

Premium Exhaust Fans

PERFORMANCE PER HVI STANDARDS

4" Duct Units											
0.1 Ps - Static Pressure (in H ₂ O)				0.25 Ps - Static Pressure (in H ₂ O)				0.5 Ps - Static Pressure (in H ₂ O)			
PTE511RK/PTEL511RK	Airflow (CFM)	Sound (Sones)	Power (Watt)	Efficiency (CFM/Watt)	Airflow (CFM)	Sound (Sones)	Power (Watt)	Efficiency (CFM/Watt)	Airflow (CFM)	Power (Watt)	Efficiency (CFM/Watt)
	50	<0.3	5.0	10.0	50	1.0	7.9	6.3	40	13.1	3.0
	80	0.5	7.4	10.8	80	1.4	10.7	7.4	80	18.4	4.3
	110	0.6	10.6	10.3	110	1.5	16.0	6.8	110	24.5	4.4

6" Duct Units											
0.1 Ps - Static Pressure (in H ₂ O)				0.25 Ps - Static Pressure (in H ₂ O)				0.5 Ps - Static Pressure (in H ₂ O)			
PTE511RK/PTEL511RK	Airflow (CFM)	Sound (Sones)	Power (Watt)	Efficiency (CFM/Watt)	Airflow (CFM)	Sound (Sones)	Power (Watt)	Efficiency (CFM/Watt)	Airflow (CFM)	Power (Watt)	Efficiency (CFM/Watt)
	50	<0.3	4.6	10.8	50	0.5	7.3	6.8	40	12.4	3.2
	80	<0.3	6.3	12.6	80	0.6	9.4	8.5	80	16.3	4.9
	110	0.3	8.0	13.7	110	0.9	12.2	9.0	110	16.3	5.3
PTE115RK/PTEL115RK	110	0.6	7.6	14.4	110	1.4	12.7	8.6	110	22.7	4.8
	130	0.5	8.9	14.6	130	1.3	15.1	8.6	130	26.2	4.9
	150	0.6	10.6	14.1	150	1.4	17.4	8.6	150	29.6	5.0

ELECTRICAL & WEIGHT

4" Duct Units				
Model	Volts	Hz	Amps	Shipping Weight
PTE511RK	120	60	0.45	13 lb
PTEL511RK			0.58	
6" Duct Units				
Model	Volts	Hz	Amps	Shipping Weight
PTE115RK	120	60	0.50	13 lb
PTEL115RK			0.58	



HVI-2100 CERTIFIED RATINGS comply with new testing technologies and procedures prescribed by the Home Ventilating Institute, for off-the-shelf products, as they are available to consumers. Product performance is rated at 0.1 in. static pressure, based on tests conducted in a state-of-the-art test laboratory. Sones are a measure of humanly-perceived loudness, based on laboratory measurements.



REFERENCE	QTY.	REMARKS	Project
			Location
			Architect
			Engineer
			Contractor
			Submitted by
			Date

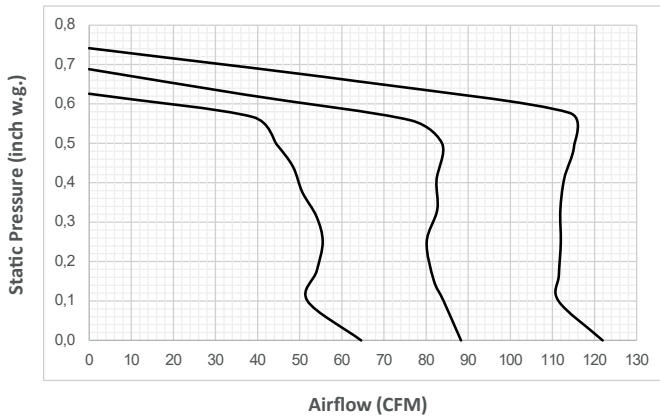
PERFORMANCE RATINGS

Premium Exhaust Fans

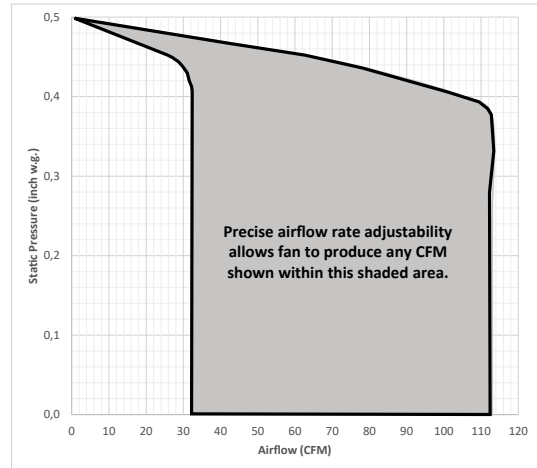
AIRFLOW PERFORMANCE

PTE511RK & PTEL511RK

SELECTABLE BOOST CFM

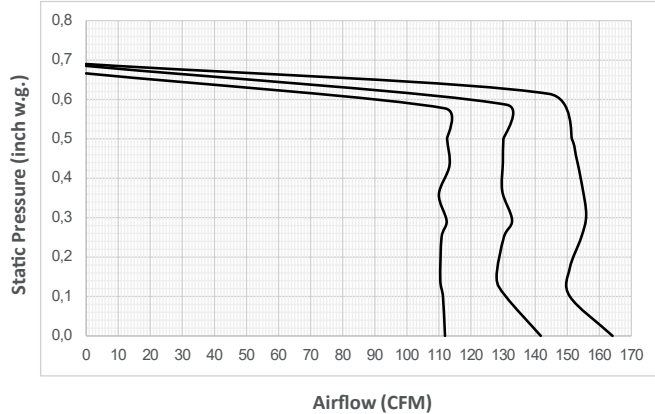


CONTINUOUS RUN CFM

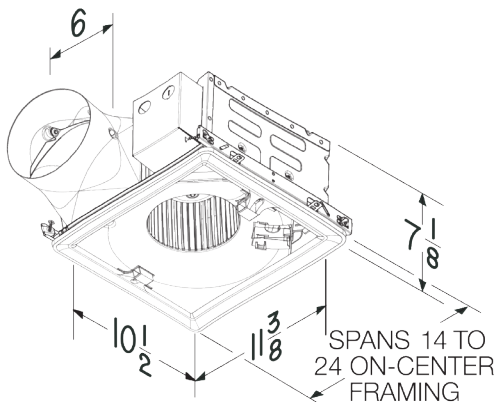
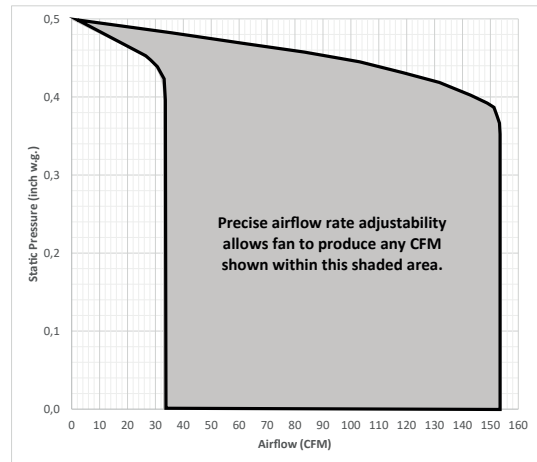


PTE1115RK & PTEL1115RK

SELECTABLE BOOST CFM



CONTINUOUS RUN CFM



ACCESSORY MODULES

(Note: Dimensions shown in inches)

