

## WhisperCeiling® Ventilation Fan

**WhisperCeiling®**  
VENTILATION FAN

FV-20VQ3, FV-30VQ3, FV-40VQ4\*



### HEALTHY AIR, HEALTHY HOME

True Flow ratings at **0.375"** static pressure provide powerful airflow to assure code compliant, healthy homes.

- Large volume (190-390) CFM options designed for light commercial applications
- AC motor
- UL listed for tub/shower enclosure when GFCI protected
- Can be used to comply with ASHRAE 62.2, Indoor airPlus, EarthCraft and California Title 24

### ADDITIONAL BENEFITS

- Built-in metal flange provides blocking for penetrations through drywall as an Air Barrier, and assists with the decrease in leakage in the Building Envelope during blower door testing
- UL listed for tub/shower enclosure when GFCI protected
- Optional designer grille and radiation damper available for some models
- 3 year warranty on parts, 3 year on CFL lamps

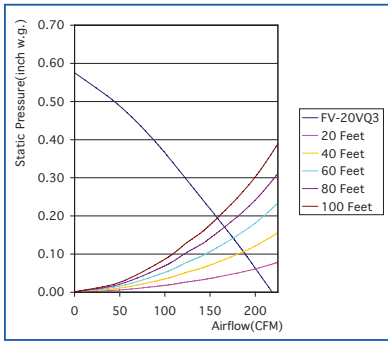
\* FV-40VQ4 does not comply with the ENERGY STAR® 4.0 standard.



# WhisperCeiling Ventilation Fans

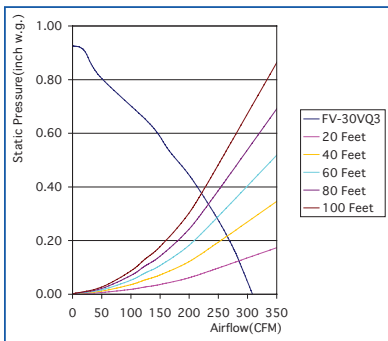
## FV-20VQ3

190 CFM 6" Duct 6" duct



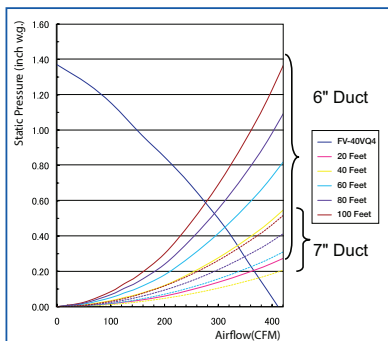
## FV-30VQ3

290 CFM 6" Duct



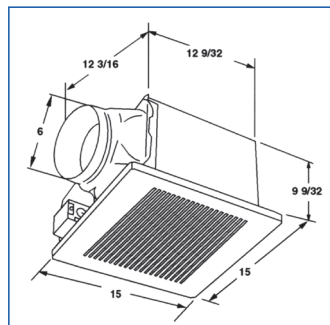
## FV-40VQ4

380 CFM 6" Duct 6" duct

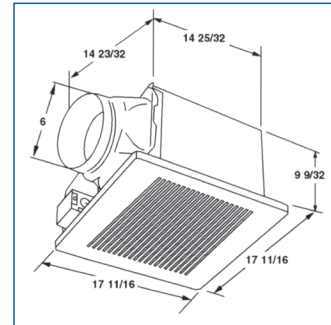


Specifications		WhisperCeiling					
		FV-20VQ3		FV-30VQ3		FV-40VQ4	
Characteristics (HVI Certified Data for 0.1" S.P.)	Static pressure in inches w. g.	0.1	0.25	0.1	0.25	0.1	0.25
	Air Volume (CFM)	190	145	290	257	390	356
	Noise (sones)	0.8	1.4	2	N/A	3	3
	Power Consumption (Watts)	44.5	43.6	64	62	111.4	109.6
	Energy Efficiency (CFMs/Watt)	4.6	3.6	4.5	4.1	3.5	3.3
	Speed	761	949	877	990	793	874
	Current	0.34	0.33	0.53	0.52	0.99	0.98
	MAX Current (amps)	0.41		0.61		1.00	
	Power Rating (V/Hz)	120/60					
	Specifications	Motor Type	AC				
Type of Motor Bearing		Ball					
Thermal Fuse Protection		Yes					
Blower Wheel Type		Sirocco					
ENERGY STAR Qualified		Yes					
Installation	Duct Diameter (inches)	6					
	Mounting Opening (inches sq.)	12-3/16			14-3/4		
	Grille Size (inches sq.)	15			17-11/16		
Light Specifications	Lamp Watts						
	Lumens (lm)						
	Lumens Per Watt (LPW)						
	Color Rendering Index						
	Color Temperature (Kelvin)						
	Rated Life (hours)						
	Lamp Model #						
	Type of Lamp Socket						
Night-Light Specs	Night Light Watts						
Shipping	Gross Weight (lbs.)		16.8	18.2	27.1		
Approved Code/Standard/Regulation	UL Tub/Shower Enclosure	Yes					
	Washington State VIAQ Code	Yes					
	California Title 24 Compliant	Yes					
	Mfg in ISO 9001 Certified Facility	Yes					

\*As tested by an EPA recognized lab  
 \*\*Lamp contains mercury. Dispose of according to local, state and federal laws.  
 NOTE: 0.25" w.g. = Installed Performance



FV-20VQ3/FV-30VQ3



FV-40VQ4



Panasonic  
IAQ Division

Two Riverfront Plaza  
Newark, NJ 07102

[na.panasonic.com/us/iaq](http://na.panasonic.com/us/iaq)

For Order Information

PHONE: 866-292-7299

FAX: 888-553-0723

[ventfans@us.panasonic.com](mailto:ventfans@us.panasonic.com)

IAQ23021SS

R2